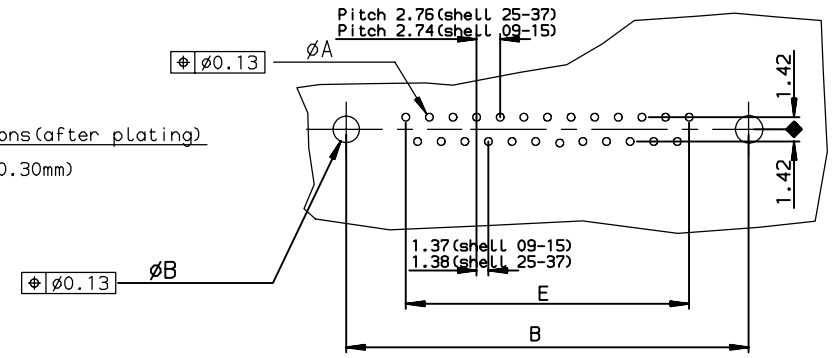


PC board drilling dimensions (after plating)
(thickness ≤ 3.20 ± 0.30mm)



TIN LEAD PART NUMBER

SHELL	A±0.38	B±0.12	C±0.10	D±0.25	E±0.07	PART NUMBER	PART NUMBER	PART NUMBER
09	30.81	24.99	16.96	16.21	10.96	D09S91C4PL00	D09S91C6PL00	D09S91C8PL00
15	39.14	33.32	25.18	24.54	19.18	D15S91C4PL00	D15S91C6PL00	D15S91C8PL00
25	53.03	47.04	39.12	38.25	33.12	D25S91C4PL00	D25S91C6PL00	D25S91C8PL00
37	69.32	63.50	55.68	54.71	49.68	D37S91C4PL00	D37S91C6PL00	D37S91C8PL00
						gold flash	0.76µ gold	1.25µ gold

LEAD FREE PART NUMBER

SHELL	A±0.38	B±0.12	C±0.10	D±0.25	E±0.07	PART NUMBER	PART NUMBER	PART NUMBER
09	30.81	24.99	16.96	16.21	10.96	D09S91C4PL00LF	D09S91C6PL00LF	D09S91C8PL00LF
15	39.14	33.32	25.18	24.54	19.18	D15S91C4PL00LF	D15S91C6PL00LF	D15S91C8PL00LF
25	53.03	47.04	39.12	38.25	33.12	D25S91C4PL00LF	D25S91C6PL00LF	D25S91C8PL00LF
37	69.32	63.50	55.68	54.71	49.68	D37S91C4PL00LF	D37S91C6PL00LF	D37S91C8PL00LF
						gold flash	0.76µ gold	1.25µ gold

GENERAL CHARACTERISTICS AND ROHS INFORMATIONS:
SEE DRAWING C01-8646-0001

European Views

www.fciconnect.com		surface ISO 1302 ✓	tolerance std ISO 406 ISO 1101	projection mm
TOLERANCES UNLESS OTHERWISE SPECIFIED				
Dr	JOUBERT	1995/03/24	0.X ±0.1	size A3
Eng	PESSON	1995/03/24	0.XX ±0.1	Scale 2
Chr	LEGARE	1995/03/24	0.XX ±0.1	ECN LS06-0140
Appr	LEGARE	1995/03/24	0.XXX ±0.1	Spec ref -
Product family		D-SUB		
FCJ		FEMALE CONNECTOR DELTA D		Rev. J
title		STRAIGHT PRESS-FIT		dwg no C01-8646-0128
catalog no		-		CUSTOMER sheet 1 of 1

rev	ecn no	dr	date
F	-	SJO	1999/12/03
G	LS05-004	MPE	2005/02/09
H	LS06-0097	LGO	2006/07/29
J	LS06-0140	LGO	2006/09/22
-	-	-	-
-	-	-	-
-	-	-	-

Copyright FCI.