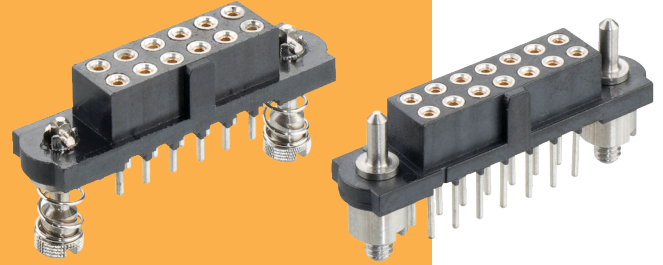


# Datamate J-Tek Connectors

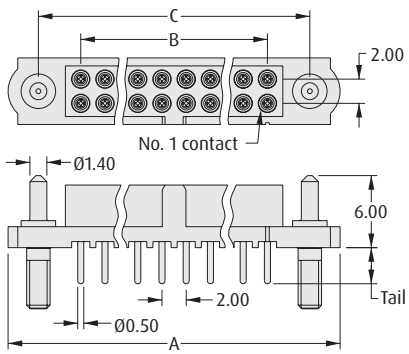
## Female Vertical Throughboard, Guide Pin, 101Lok

- Guide pin style includes board mount fixing, and mates with Datamate J-Tek male connectors with compatible jackscrews.
- 101Lok fixing gives secure, fast and simple mating; no special tooling required. Just a simple 101-degree turn is required to fix the connectors together.
- 101Lok style mates with Datamate J-Tek male connectors with compatible 101Lok fixings.

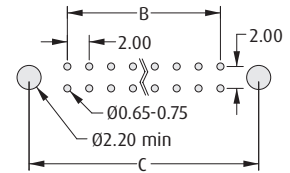
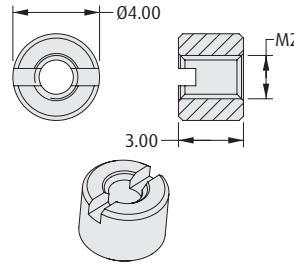


DATAMATE J-TEK

### GUIDE PIN JACKSCREWS



### Board Mount Nut, 2 per connector

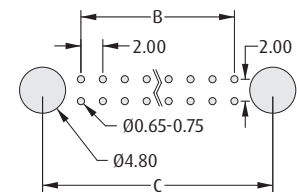
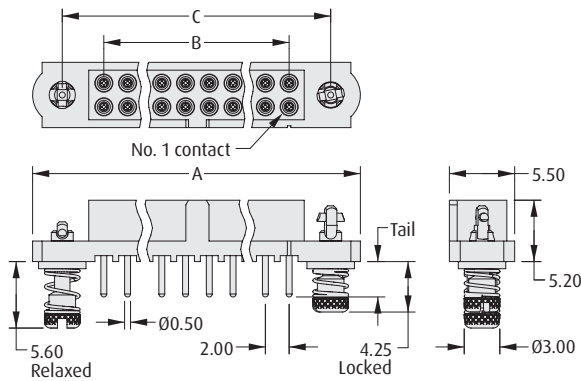


Recommended PC Board Pattern

### CALCULATION

<b>A</b>	B + 12
<b>B</b>	Total no. of contacts - 2
<b>C</b>	B + 7

### 101LOK



Recommended PC Board Pattern

### HOW TO ORDER

**M80 - 4 TX XX XX FX**

#### SERIES CODE

#### TYPE

<b>T1</b>	3mm Tails
<b>T2</b>	4.5mm Tails

#### TOTAL NO. OF CONTACTS

**04, 06, 08, 10, 12, 14, 20, 26, 34, 42, 50**

#### JACKSCREW

<b>F3</b>	Guide Pin
<b>FD</b>	101Lok

#### FINISH

<b>05</b>	Gold
<b>42</b>	Gold + Tin

All dimensions in mm.