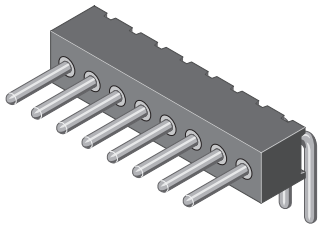


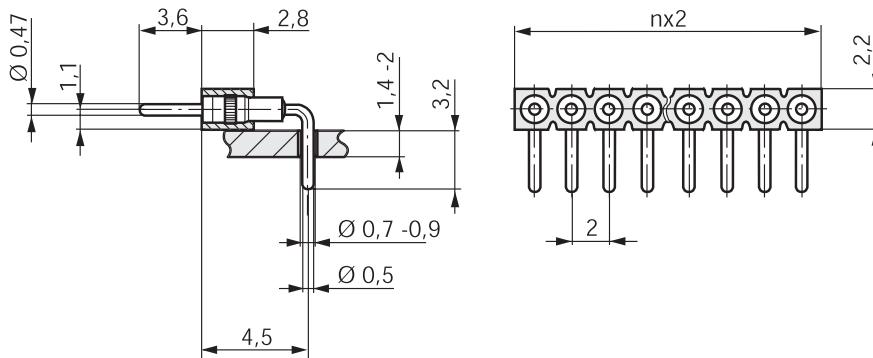
**PIN HEADER „PRECISION“ 2,00 mm**  
**ID: 163**                      STL 32-XX

Series 510

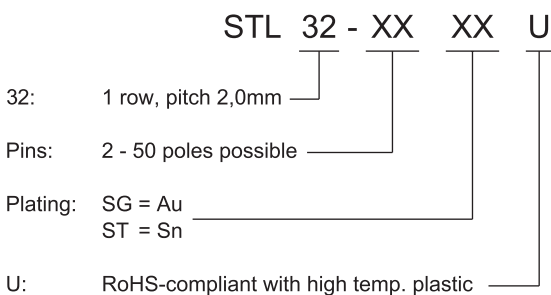


**TECHNICAL DATA**

Pitch	2,00 mm
Insulating Material	high temp. thermoplast UL94V-0
Contact Material	Brass
Rated Current	3 Amp.
Rated Voltage	100 V <sub>RMS</sub> /150 V <sub>DC</sub>
Withstanding Voltage	min. 500 V <sub>RMS</sub>
Operating Temperature	-40°C to +105°C
Maximum Soldering Temperature	260°C for 10 seconds



All dimensions in mm.  
 Other dimensions upon request.



8 | 2,00 mm