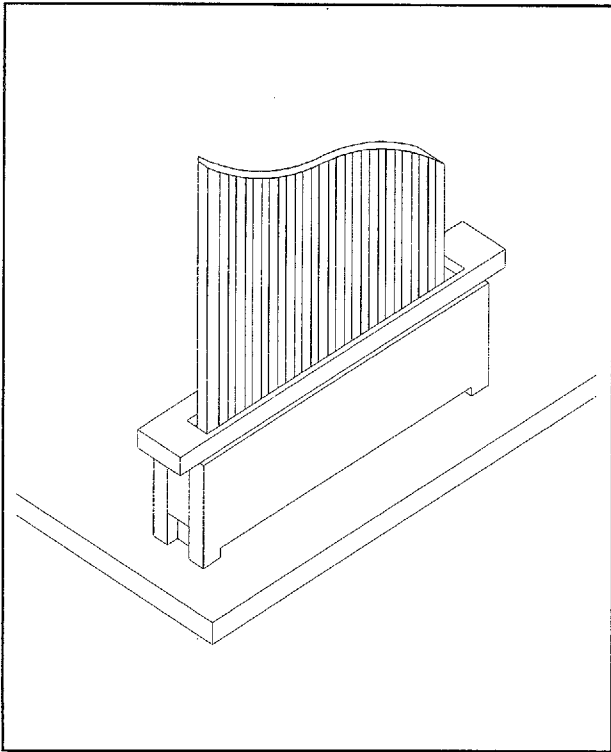


Features

- ◆ Available circuit please contact us for detail
- ◆ Zero insertion force and high contact pressure
- ◆ Polarized with P.C.B. standoff
- ◆ With clinched solder tail contact
- ◆ Plating: Tin plated
- ◆ Nylon 6/6 UL94V-0
- ◆ Contact: Phosphor bronze
- ◆ Applicable FPC and FFC:
Thickness 0.3mm(.012")
Lead with 0.8mm(.031")



Specifications

- ◆ Current rating: 0.5A AC
- ◆ Voltage rating: 200V AC
- ◆ Temperature rating: -25°C ~ +85°C
- ◆ Contact resistance: 30mΩ max.
- ◆ Insulation resistance: 1,000MΩ min.
- ◆ Withstanding voltage: 500V AC /minute
- ◆ Applicable PC board thickness: 1.6mm

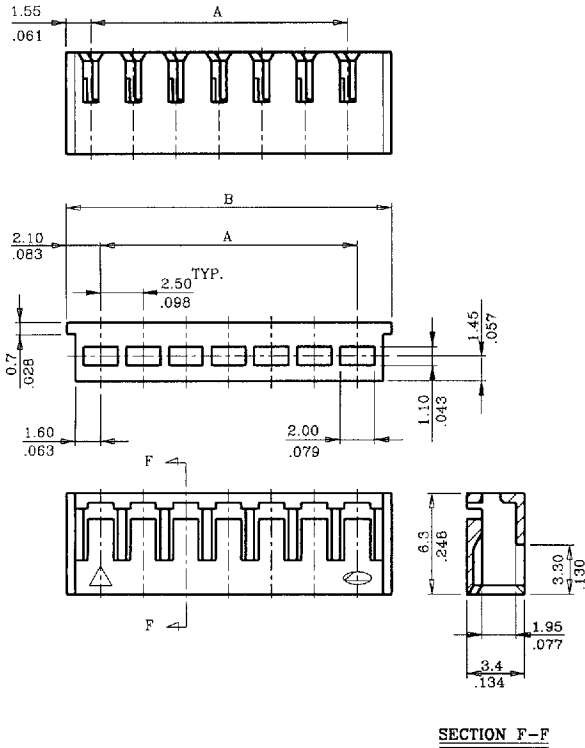
Standards

Recognized No. E82349

2512 Series 2.50mm(.098") Board In Connector



Unit : $\frac{mm}{inch}$



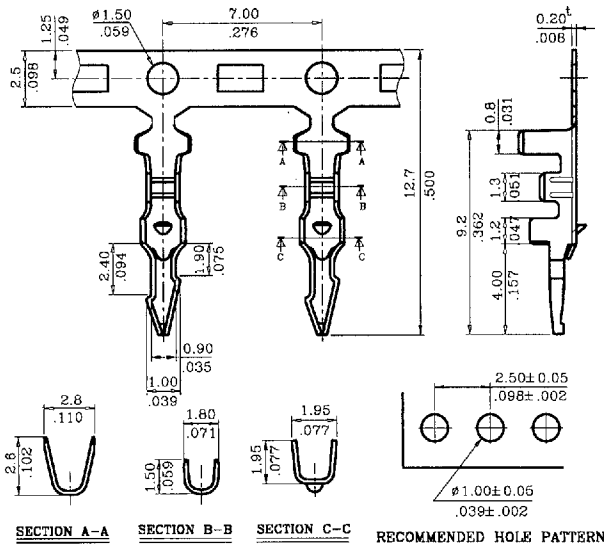
Dimensional & Ordering Information:

Circuits	Part No.	Dimension	
		A	B
2	2512S020000	2.50(.098)	6.70(.264)
3	2512S030000	5.00(.197)	9.20(.362)
4	2512S040000	7.50(.295)	11.70(.461)
5	2512S050000	10.00(.394)	14.20(.559)
6	2512S060000	12.50(.492)	16.70(.657)
7	2512S070000	15.00(.591)	19.20(.756)
8	2512S080000	17.50(.689)	21.70(.854)
9	2512S090000	20.00(.787)	24.20(.953)
10	2512S100000	22.50(.886)	26.70(1.051)
11	2512S110000	25.00(.984)	29.20(1.150)
12	2512S120000	27.50(1.083)	31.70(1.248)
13	2512S130000	30.00(1.181)	34.20(1.346)
14	2512S140000	32.50(1.280)	36.70(1.445)
15	2512S150000	35.00(1.378)	39.20(1.543)
16	2512S160000	37.50(1.476)	41.70(1.641)
17	2512S170000	40.00(1.575)	44.20(1.740)
18	2512S180000	42.50(1.673)	46.70(1.839)
19	2512S190000	45.00(1.772)	49.20(1.937)
20	2512S200000	47.50(1.870)	51.70(2.035)

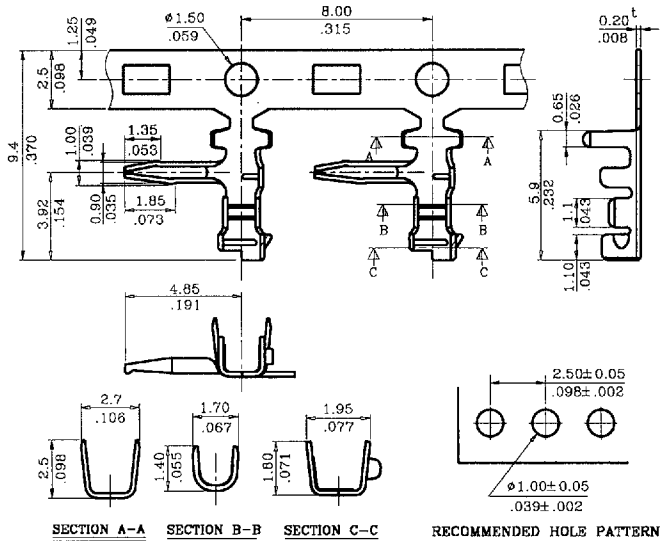
2512 Series 2.50mm(.098") Board In Terminal



2512TCB0V0A



2512T*B0H0A



Unit : $\frac{mm}{inch}$

Specifications & Ordering Information:

Part No.	Wire Ranges	Insulation Diameter	Reel Q'ty	Tooling
2512TCB0V0A	AWG 22 ~ 28	2.00 (.079) MAX.	10,000PCS	CCD-2512R01
2512T*B0H0A	AWG 22 ~ 28	2.00 (.079) MAX.	10,000PCS	CCD-2512R01