

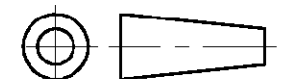
ZEICHNUNG GESCHÜTZT DURCH  
 ©COPYRIGHT 1988  
 AMP DEUTSCHLAND GMBH  
 ALLE RECHTE VORBEHALTEN

REV.	ÄNDERUNG	DATUM	NAME
1	MASS 2.54 <sup>+0.3</sup> / <sub>-0.1</sub> WAR 2.54		
	MASS 3.0±0.2 WAR 3.0 HINZU ALLG. TOLERANZ ±0.1	02.11.88	AUGUSTINIAK
2	TABELLE HINZU	02.03.89	A.H0
3	ZEICHNUNG IN EUROPEAN PROJECTION GEÄNDERT	04.12.90	A.H0
4	LÖTLÄNGE VON 3.0 IN 3.1 GEÄNDERT	16.03.92	A.H0
D	VERPACKUNGSANGABE HINZU	15.01.96	F.RDT

**DO NOT SCALE**  
 DIMENSIONS IN mm

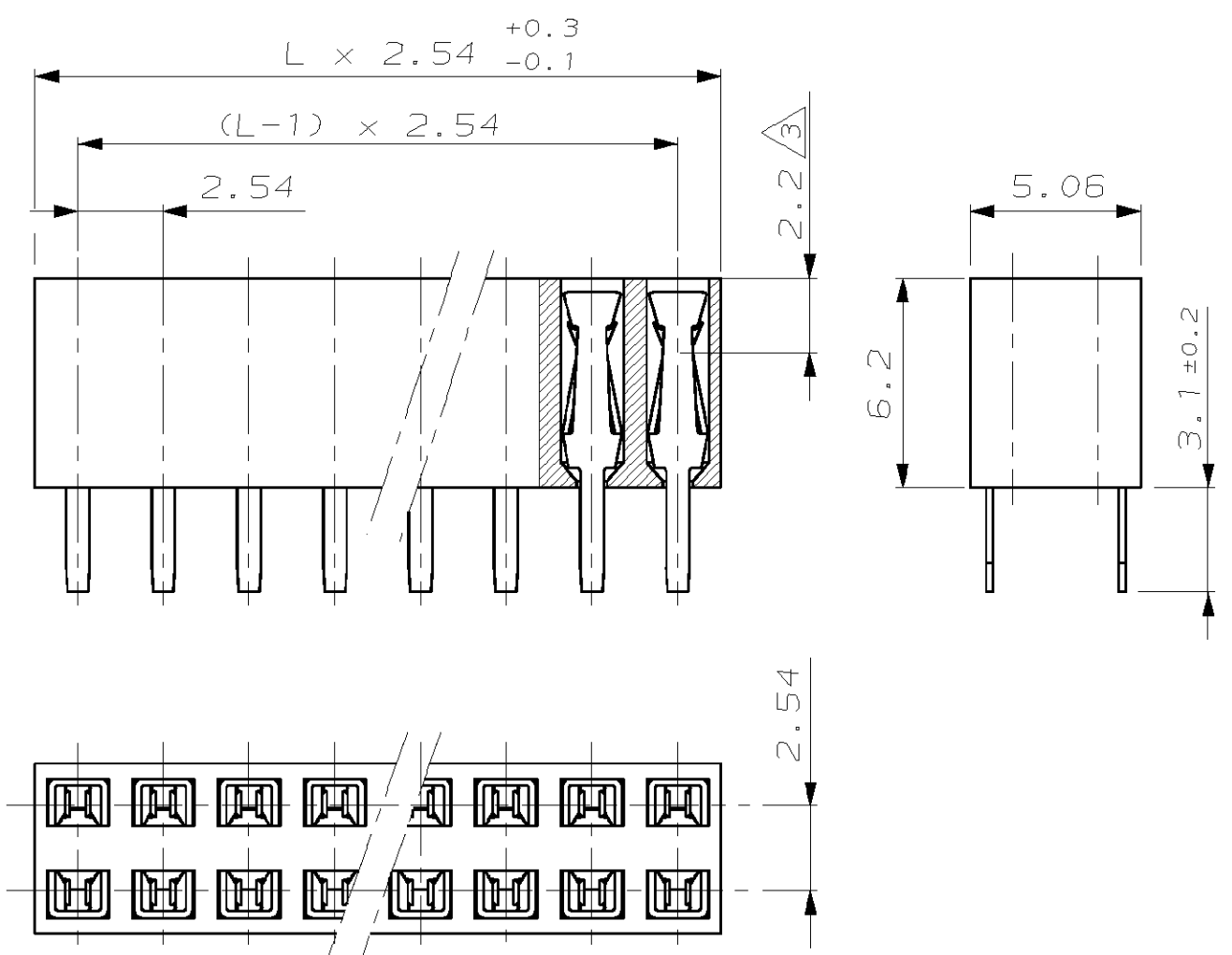
**METRIC**

EUROPEAN  
 PROJECTION

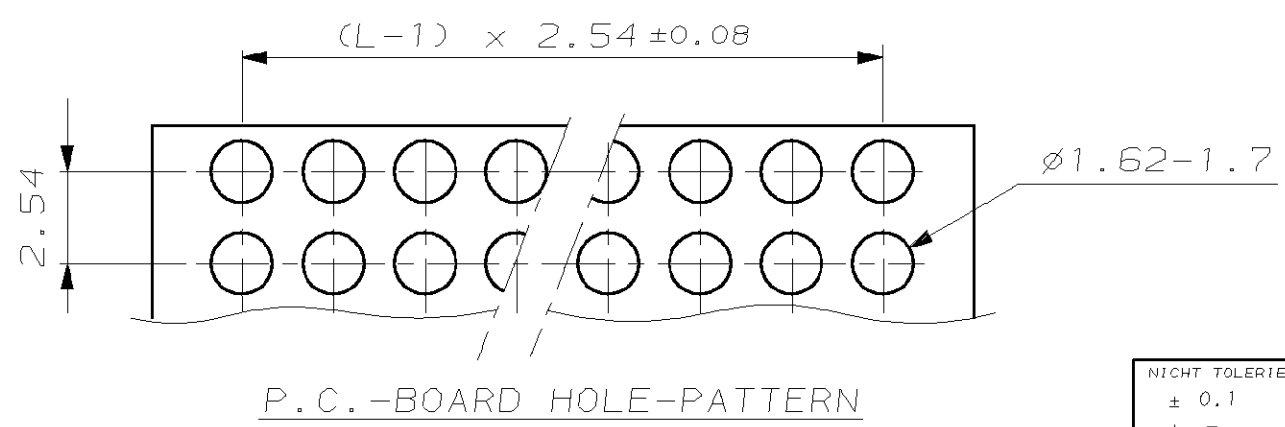
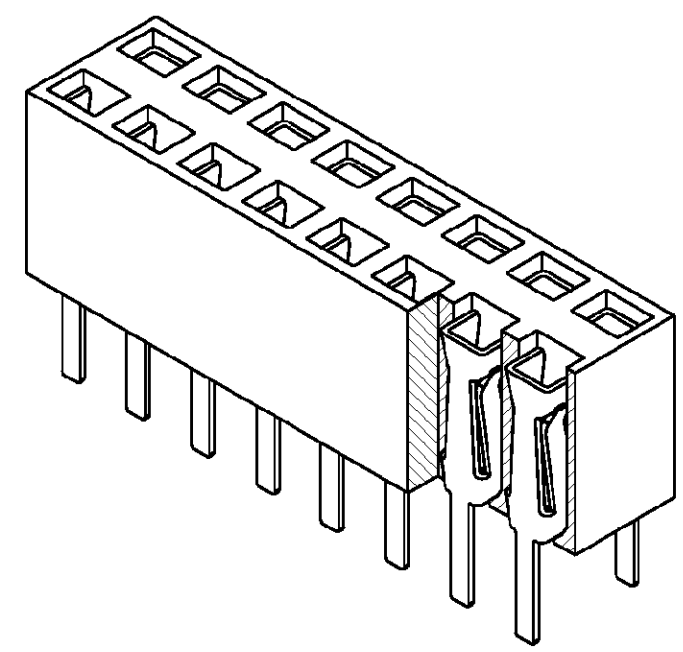


**NOTES:**

- 1. **PLATING:** UNDERCOATING: 1,3µm Ni.  
 AT CONT.PLACE: 0,8µm Au.  
 AT SOLDER-TYNES: 2,5µm Sn.Pb.
- 2. MATES WITH 0,63 SQUARE/ROUND MODU POSTS.
- 3. CONTACT-POINT.
- 4. RECOMMENDED P.C.BOARD-THICKNESS: 1,6.
- 5. HV100 CONNECTOR PACKED IN ANTISTATIC BLISTER



POS. PER ROW	L <sup>+0.3</sup> / <sub>-0.1</sub>	PART-NO.
1	2.80	215 315 -1
2	5.08	-2
3	7.62	-3
4	10.16	-4
5	12.70	-5
6	15.24	-6
7	17.78	-7
8	20.32	-8
9	22.86	-9
10	25.40	1-
11	27.94	1-
12	30.48	1-
13	33.02	1-
14	35.56	1-
15	38.10	1-
16	40.64	1-
17	43.18	1-
18	45.72	1-
19	48.26	1-
20	50.80	2-
21	53.34	2-
22	55.88	2-
23	58.42	2-
24	60.96	2-
25	63.50	2-
26	66.04	2-
27	68.58	2-
28	71.12	2-
29	73.66	2-
30	76.20	3-
31	78.74	3-
32	81.28	3-
33	83.82	3-
34	86.36	3-
35	88.90	3-
36	91.44	3- 215 315 -6



VERWENDET FÜR E 92-9803	GREEN	Cu Sn	REC. CONTACT
	FINISH	PBTP-GV	REC. HOUSING
<b>CUSTOMER DRAWING</b>	AMP		AMP-HOLLAND B.V. 's-Hertogenbosch, The Netherlands.
	THIS DRAWING IS UNPUBLISHED RELEASED FOR PUBLICATION 14.8.1986		
FOR REFERENCE ONLY WILL NOT BE UPDATED	© COPYRIGHT 1986 BY AMP-HOLLAND B.V. ALL INTERNATIONAL RIGHTS RESERVED. AMP PRODUCTS MAY BE COVERED BY U.S. AND FOREIGN PATENTS AND/OR PATENTS PENDING.		
DR. L.V.D.HEYDEN	DATE 20.05.86	WIRE RANGE -	NAME HV 100 VERTICAL CONNECTOR
CHK.	DATE	INSUL. RANGE -	DUAL ROW, 6,2mm HEIGHT, BOTTOM/TOP ENTRY, GOLD, MAX. 2x36 POSITIONS.
APP.	DATE	SIZE A3	SHEET 1 OF 1
NICHT TOLERIERTE MASSE ± 0.1 ± - MASSTAB 5:1		DWG. No. 215315	REV. DATE D M Y 150196 REV. LTR. D