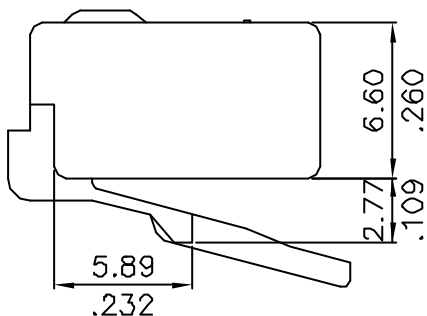
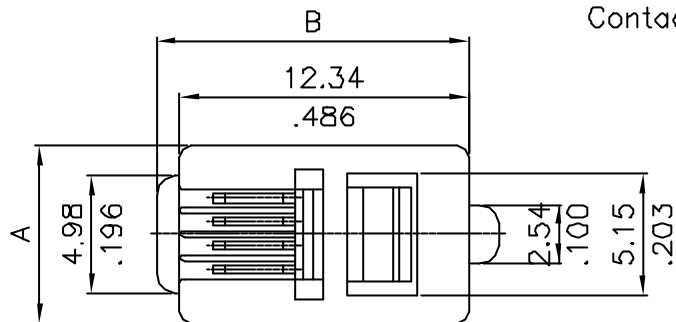


P/N: 6611-040\*\*0

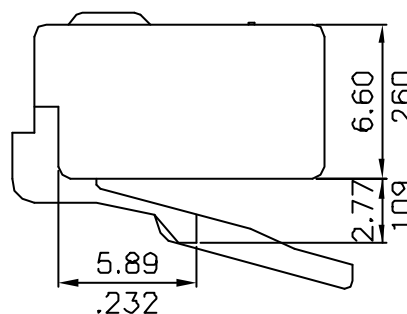
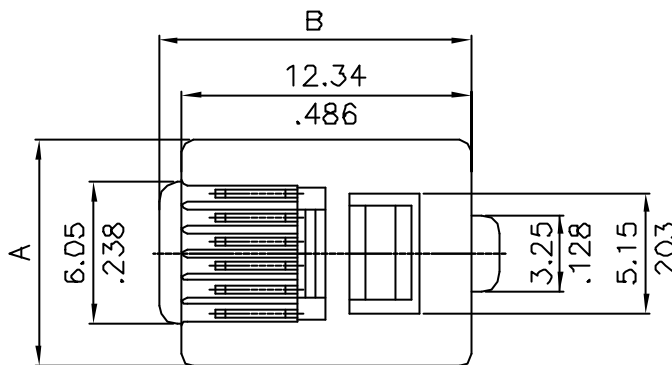
Material:

Insulator: Polycarbonate, UL 94V-2, Color: Nature

Contact: Phosphor Bronze



Position	Dim.A	Dim.B
04	7.62(.300)	13.34(.525)
06	9.65(.380)	13.34(.525)
08	11.68(.460)	22.46(.884)
10	11.68(.460)	22.46(.884)



Ordering Information:

6611 - \*\*\*\* \* 0  
1 2

1. Contact arrangement

- 0402= 4 positions 2 contacts
- 0404= 4 positions 4 contacts
- 0602= 6 positions 2 contacts
- 0604= 6 positions 4 contacts
- 0606= 6 positions 6 contacts
- 0808= 8 positions 8 contacts
- 1010= 10 positions 10 contacts

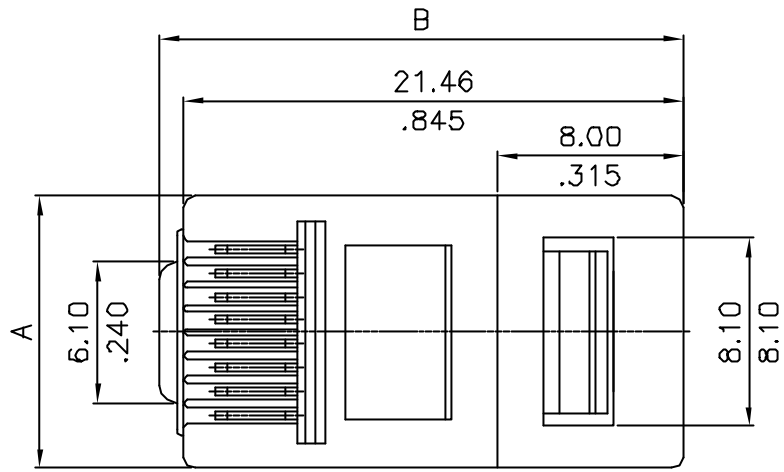
2. Plating:

- U=Gold flash over 30~50μ" nickel overall
- W=15μ" gold over 30~50μ" nickel overall
- Z=30μ" gold over 30~50μ" nickel overall
- G=50μ" gold over 30~50μ" nickel overall

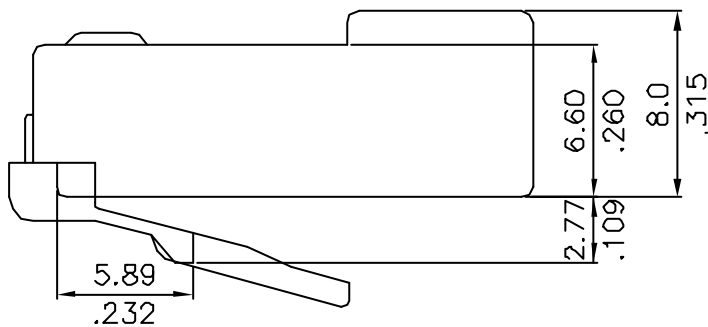
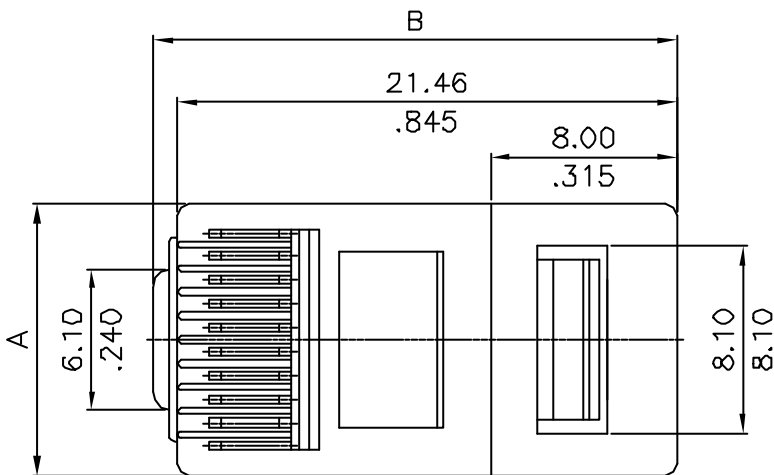
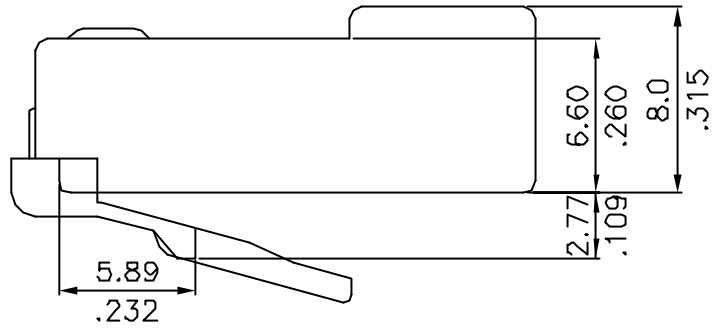
P/N: 6611-060\*\*0

F	ES021014			<b>LECO CORPORATION</b>	APPROVED:	PART NO.:					
E	E980202				GENERAL TOLERANCE	DATE:	6611-****0				
D	E970113			X. ±	X' ± 2'	CHECKED:	TITLE:				
C	E960734			.X ± $\frac{0.30}{.012}$	.X' ± 1'	DATE:	Telephone Plug				
B	E960306			.XX ± $\frac{0.20}{.008}$	.XX' ± 0.5'	DRAWN:	DRAWING NO.:				
REV.	ECO. NO.	CHG.	APP.	.XXX ± $\frac{0.10}{.004}$	.XXX' ± 0.1'	DATE:	661101S				
							UNITS	SCALE	SIZE	SHEET	REV.
							$\frac{mm}{Inch}$	~	A4	1/2	F

P/N: 6611-080\*\*0



P/N: 6611-1010\*0



F	ES021014			<b>LECO CORPORATION</b>	APPROVED:	PART NO.:					
E	E980202				GENERAL TOLERANCE	DATE:	6611-*****0				
D	E970113			X. ±	X' ± 2'	CHECKED:	TITLE:				
C	E960734			.X ± $\frac{0.30}{.012}$	.X' ± 1'	DATE:	Telephone Plug				
B	E960306			.XX ± $\frac{0.20}{.008}$	.XX' ± 0.5'	DRAWN:	DRAWING NO.:				
REV.	ECO. NO.	CHG.	APP.	.XXX ± $\frac{0.10}{.004}$	.XXX' ± 0.1'	DATE:	UNITS	SCALE	SIZE	SHEET	REV.
							$\frac{mm}{inch}$	~	A4	2/2	F