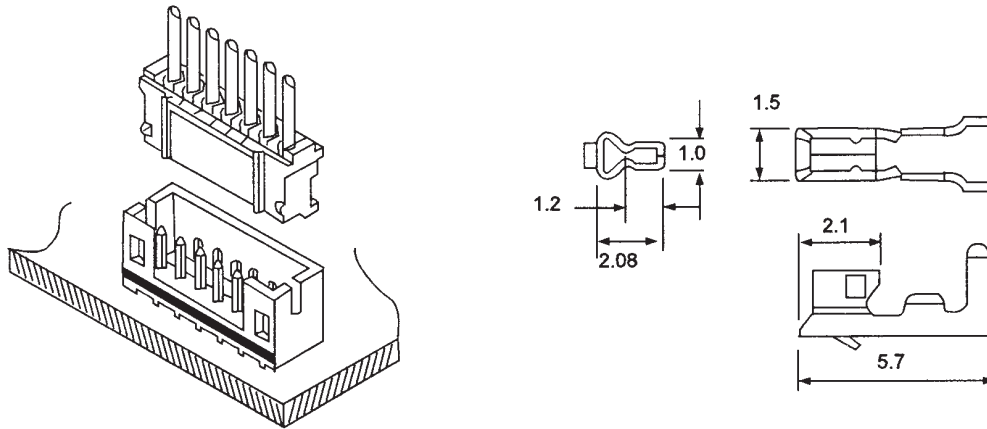


200G1 CONNECTOR SYSTEM

.079" (2.0mm) pitch wire-to-board type

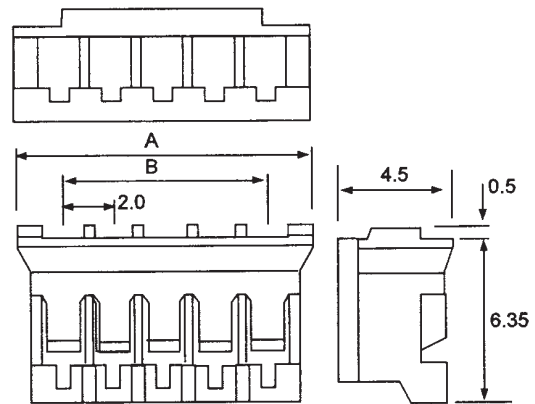
SST



PART NO.	WIRE RANGE		MATERIAL/	THICKNESS	INSULATION	REEL
	AWG#	mm ²	FINISH	mm	O.D.(mm)	PCS
200G1-TP	24-30	0.22-0.05	PHOS/TIN	0.20	1.5-0.8	10000

200G1-H SERIES HOUSING

MATERIAL : NYLON 66 UL 94V-0
 ACCEPT 200G1-TP TERMINAL
 CURRENT RATING : 2A AC,DC
 VOLTAGE RATING : 100V AC,DC
 CONTACT RESISTANCE : 20m δ MAX
 INSULATION RESISTANCE : 1000M δ MIN
 WITHSTANDING VOLTAGE : 800V AC/MINUTE
 TEMPERATURE RANGE : -25°C TO +85°C



POLES	PART NO.	DIMENSIONS (mm)		POLES	PART NO.	DIMENSIONS (mm)	
		A	B			A	B
2	200G1-H02	5.90	2.00	9	200G1-H09	19.90	16.00
3	200G1-H03	7.90	4.00	10	200G1-H10	21.90	18.00
4	200G1-H04	9.90	6.00	11	200G1-H11	23.90	20.00
5	200G1-H05	11.90	8.00	12	200G1-H12	25.90	22.00
6	200G1-H06	13.90	10.00	13	200G1-H13	27.90	24.00
7	200G1-H07	15.90	12.00	14	200G1-H14	29.90	26.00
8	200G1-H08	17.90	14.00	15	200G1-H15	31.90	28.00

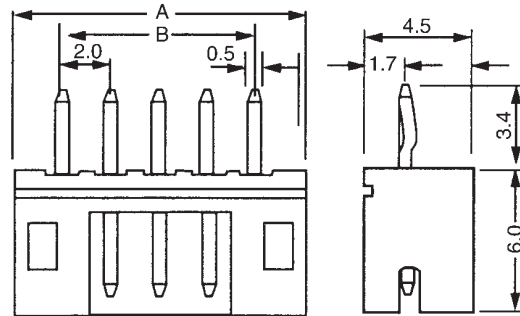
200G1 CONNECTOR SYSTEM

.079" (2.0mm) pitch wire-to-board type



200G1-V SERIES HEADER

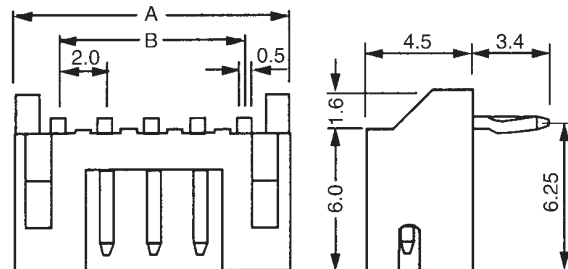
MATERIAL : NYLON 66 UL 94V-0
 PIN BRASS TIN-PLATED
 MATE WITH 200G1-H SERIES HOUSING
 CURRENT RATING : 2A AC, DC
 VOLTAGE RATING : 100V AC, DC
 CONTACT RESISTANCE : 20m δ MAX
 INSULATION RESISTANCE : 1000M δ MIN
 WITHSTANDING VOLTAGE : 800V AC/MINUTE
 TEMPERATURE RANGE : -25°C TO +85°C
 SQ PIN SIZE : 0.5 MM
 PC BOARD HOLE : 0.8 MM DIA
 PC BOARD THICKNESS : 0.8 TO 1.6 MM



POLES	PART NO.	DIMENSIONS (mm)		POLES	PART NO.	DIMENSIONS (mm)	
		A	B			A	B
2	200G1-V02	6.10	2.00	9	200G1-V09	20.10	16.00
3	200G1-V03	8.10	4.00	10	200G1-V10	22.10	18.00
4	200G1-V04	10.10	6.00	11	200G1-V11	24.10	20.00
5	200G1-V05	12.10	8.00	12	200G1-V12	26.10	22.00
6	200G1-V06	14.10	10.00	13	200G1-V13	28.10	24.00
7	200G1-V07	16.10	12.00	14	200G1-V14	30.10	26.00
8	200G1-V08	18.10	14.00	15	200G1-V15	32.10	28.00

200G1-R SERIES HEADER

MATERIAL : NYLON 66 UL 94V-0
 PIN BRASS TIN-PLATED
 MATE WITH 200G1-H SERIES HOUSING
 CURRENT RATING : 2A AC, DC
 VOLTAGE RATING : 100V AC, DC
 CONTACT RESISTANCE : 20m δ MAX
 INSULATION RESISTANCE : 1000M δ MIN
 WITHSTANDING VOLTAGE : 800V AC/MINUTE
 TEMPERATURE RANGE : -25°C TO +85°C
 SQ PIN SIZE : 0.5MM
 PC BOARD HOLE : 0.8 MM DIA
 PC BOARD THICKNESS : 0.8 TO 1.6MM



POLES	PART NO.	DIMENSIONS (mm)		POLES	PART NO.	DIMENSIONS (mm)	
		A	B			A	B
2	200G1-R02	6.10	2.00	9	200G1-R09	20.10	16.00
3	200G1-R03	8.10	4.00	10	200G1-R10	22.10	18.00
4	200G1-R04	10.10	6.00	11	200G1-R11	24.10	20.00
5	200G1-R05	12.10	8.00	12	200G1-R12	26.10	22.00
6	200G1-R06	14.10	10.00	13	200G1-R13	28.10	24.00
7	200G1-R07	16.10	12.00	14	200G1-R14	30.10	26.00
8	200G1-R08	18.10	14.00	15	200G1-R15	32.10	28.00

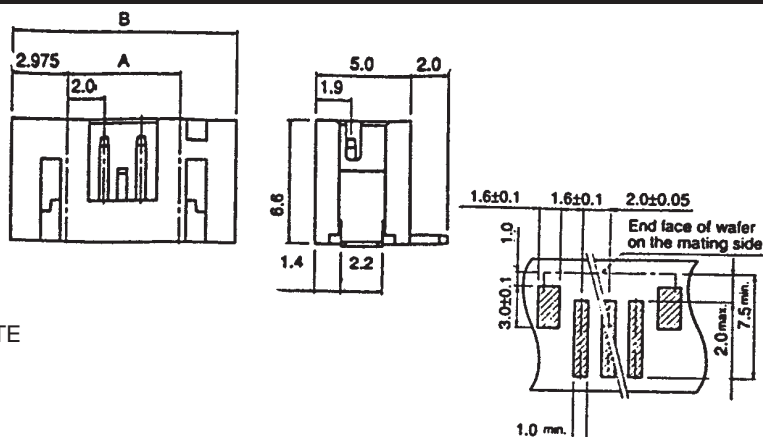
200G1 CONNECTOR SYSTEM

.079" (2.0mm) pitch wire-to-board type



200G1-MV SERIES HEADER

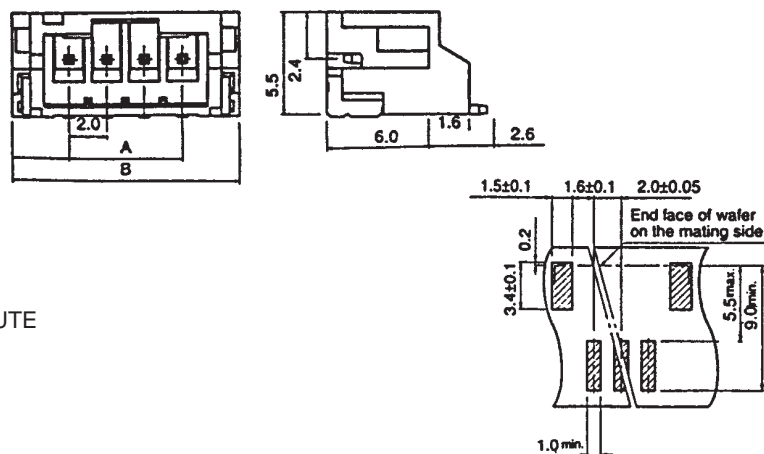
MATERIAL : NYLON 46 UL 94V-0
 PIN BRASS TIN-PLATED
 SOLDER TAB BRASS TIN-PLATED
 MATE WITH 200G1-H SERIES HOUSING
 CURRENT RATING : 2A AC, DC
 VOLTAGE RATING : 100V AC, DC
 CONTACT RESISTANCE : 20m δ MAX
 INSULATION RESISTANCE : 1000M δ MIN
 WITHSTANDING VOLTAGE : 800V AC/MINUTE
 TEMPERATURE RANGE : -25°C TO +85°C



POLES	PART NO.	DIMENSIONS (mm)		POLES	PART NO.	DIMENSIONS (mm)	
		A	B			A	B
2	200G1-MV02	2.0	7.9	9	200G1-MV09	16.0	21.9
3	200G1-MV03	4.0	9.9	10	200G1-MV10	18.0	23.9
4	200G1-MV04	6.0	11.9	11	200G1-MV11	20.0	25.9
5	200G1-MV05	8.0	13.9	12	200G1-MV12	22.0	27.9
6	200G1-MV06	10.0	15.9	13	200G1-MV13	24.0	29.9
7	200G1-MV07	12.0	17.9	14	200G1-MV14	26.0	31.9
8	200G1-MV08	14.0	19.9	15	200G1-MV15	28.0	33.9

200G1-MR SERIES HEADER

MATERIAL : NYLON 46 UL 94V-0
 PIN BRASS TIN-PLATED
 SOLDER TAB BRASS TIN-PLATED
 MATE WITH 200G1-H SERIES HOUSING
 CURRENT RATING : 2A AC, DC
 VOLTAGE RATING : 100V AC, DC
 CONTACT RESISTANCE : 20m δ MAX
 INSULATION RESISTANCE : 1000M δ MIN
 WITHSTANDING VOLTAGE : 800V AC/MINUTE
 TEMPERATURE RANGE : -25°C TO +85°C



POLES	PART NO.	DIMENSIONS (mm)		POLES	PART NO.	DIMENSIONS (mm)	
		A	B			A	B
2	200G1-MR02	2.0	7.9	9	200G1-MR09	16.0	21.9
3	200G1-MR03	4.0	9.9	10	200G1-MR10	18.0	23.9
4	200G1-MR04	6.0	11.9	11	200G1-MR11	20.0	25.9
5	200G1-MR05	8.0	13.9	12	200G1-MR12	22.0	27.9
6	200G1-MR06	10.0	15.9	13	200G1-MR13	24.0	29.9
7	200G1-MR07	12.0	17.9	14	200G1-MR14	26.0	31.9
8	200G1-MR08	14.0	19.9	15	200G1-MR15	28.0	33.9