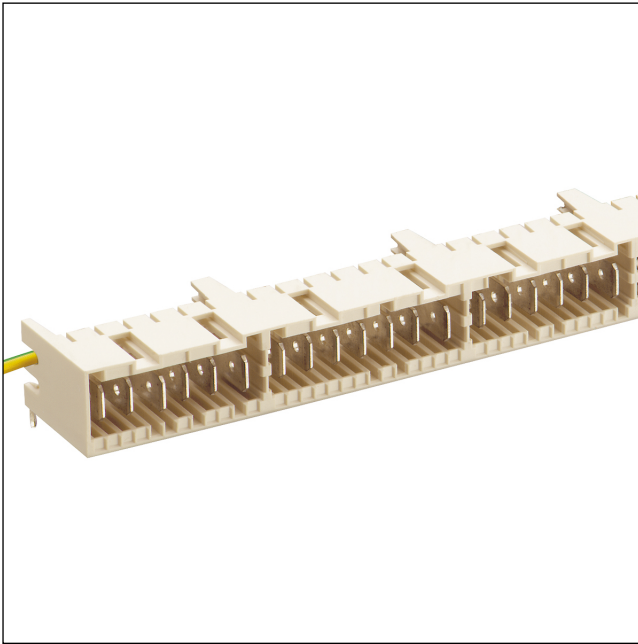


36

3677

RAST 5 connectors, pitch 5.0 mm



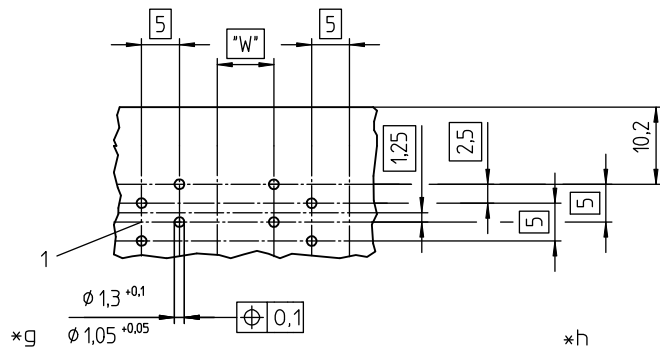
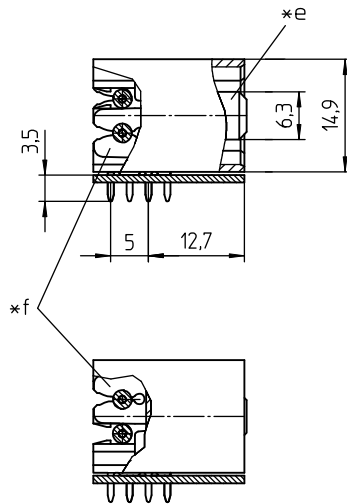
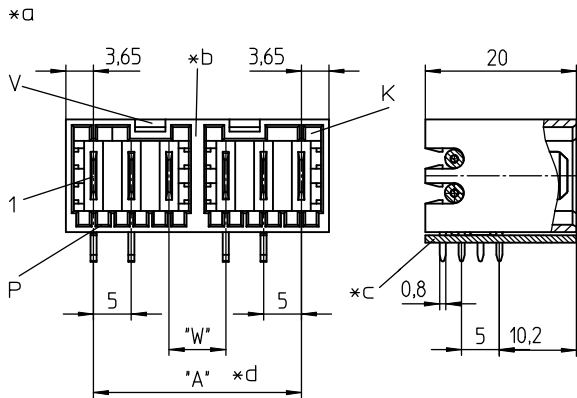
RAST 5 tab header, angular, with topside lock, free to configure with partitions, neutral and/or protective conductor bridge in insulation displacement technology (IDT)

Approvals:



36

3677



Environmental conditions

Temperature range -40 °C/+120 °C

Materials

Insulating body	PA GF, V-0 according to UL94 ¹
Contact tab with insulation displacement terminal	CuSn, pre-nickel and tin-plated
Contact tab without insulation displacement terminal	CuZn, pre-nickel and tin-plated

¹ component glow wire resistant (GWT 750 °C), testing acc. to IEC 60695-2-11, assessment acc. to IEC 60335-1 (flame < 2 s)

Mechanical data

Contact tab	6.3 x 0.8 mm according to DIN 42644
Bridge conductor	stranded wire LiY 0.75 mm ² according to H05V-KH05V-K

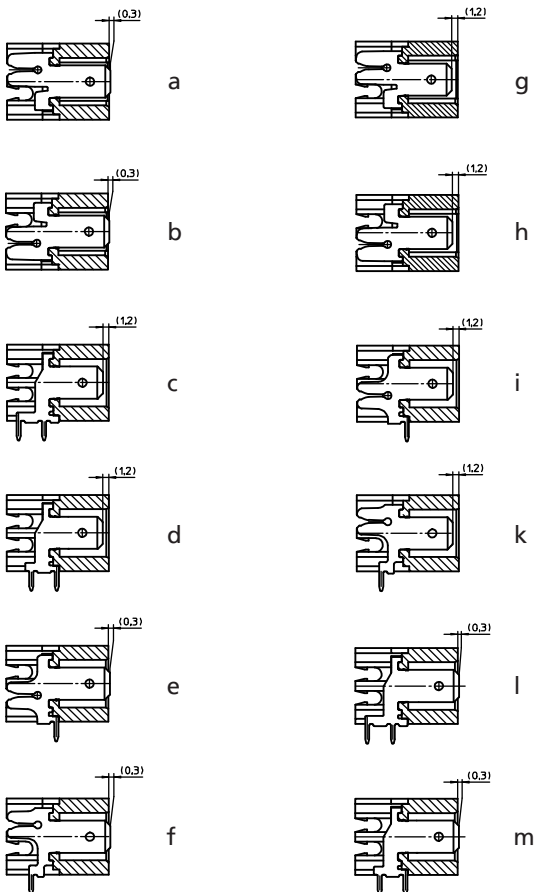
Electrical data (at T_{amb} 20 °C)

Rated current	10 A (T _{amb} 70 °C)
Rated voltage	250 V AC
Material group	IIIa (IEC)/2 (UL) (CTI ≥ 250)
Creepage distance	4,2 mm
Clearance	4,2 mm
Insulation resistance	> 10 GΩ

Associated products

Counterparts		
☞ 3611	☞ 3615	☞ 3615-1
☞ 3615-2	☞ 3615-3	☞ 3623
☞ 3623 01 V01	☞ 3626	

types of contacts



- *a K = keying
P = positioning
V = space for lock
- *b partitioning
- *c printed circuit board
- *d $A = (P - 1) \times 5 + (W - 5) \times Y$, max. 135 mm with one-piece insulating body
P = poles
W = 7,5 mm (standard)/10,0 mm
Y = number of partitions (at least 1 partition every 12 contacts)
- *e pre-mating protective contact, protruding 1.5 mm, possible at any position
- *f insulation displacement contacts with neutral/protective conductor bridges
- *g measure for press-fit of solder pins in printed circuit board
- *h printed circuit board layout, solder side view

Designation	Pole Number	PU (Pieces)	MDQ (Pieces)
3677 03	3		200
3677 04	4		200
3677 05	5		200
3677 06	6		200
3677 07	7		200
3677 08	8		200
3677 09	9		200
3677 10	10		200
3677 11	11		200
3677 12	12		200
3677 13	13		200
3677 14	14		200
3677 15	15		200
3677 16	16		200
3677 17	17		200
3677 18	18		200
3677 19	19		200
3677 20	20		200
3677 21	21		200
3677 22	22		200
3677 23	23		200
3677 24	24		200
3677 25	25		200
3677 26	26		200
3677 27	27		200

Designation to be completed by further details (e.g. for keying, color or material options).

Packaging:
in a cardboard box