

# .098" (2.50mm) 2501 SERIES CRIMP TERMINAL HOUSING

## SPECIFICATION

- \* Current Rating:  
2 A
- \* Withstanding Voltage:  
1000 VAC ( 1 min.)
- \* Insulation Resistance:  
1000 M $\Omega$  min.
- \* Contact Resistance:  
20 m $\Omega$  max.
- \* Operating Temperature:  
-40°C to +85°C

## MATERIAL

- \* Terminal: Phosphor Bronze,  
Tin Plate
- \* Housing: NYLON 66
- \* Wafer: Brass, 0.64mm Square  
Pin, Tin plate

## ORDER INFORMATION

Housing  
H2501 - XX

|  
No. of Contact  
2-20

Terminal  
T2501

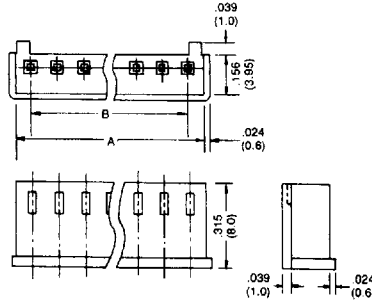
Wafer  
P2501 - X - XX

|  
Style  
1: Straight  
2: Right Angle

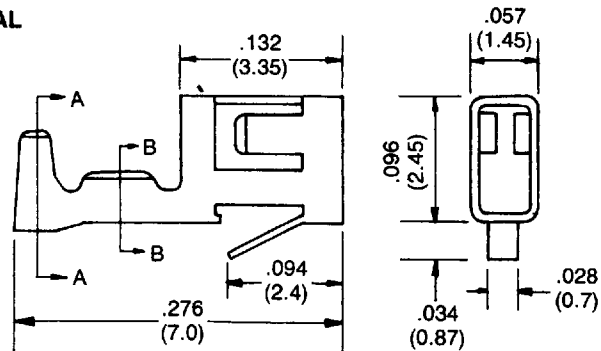
|  
No. of Contact  
2-20

Specifications are subject to change without notice

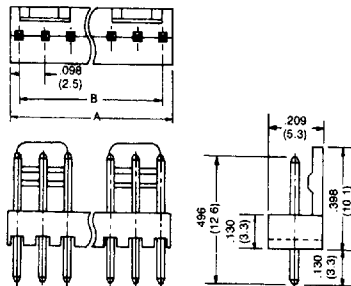
## HOUSING



## TERMINAL



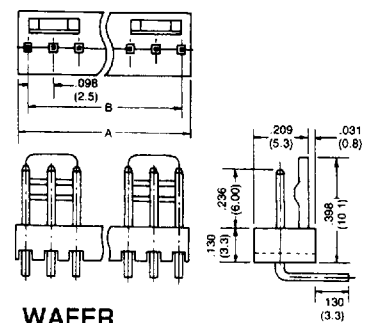
## WAFER 180°



## HOUSING

POS	A	B
2	5.54	2.50
3	8.04	5.00
4	10.54	7.50
5	13.10	10.00
6	15.54	12.50
7	18.04	15.00
8	20.54	17.50
9	23.04	20.00
10	25.54	22.50
11	28.04	25.00
12	30.54	27.50
13	33.04	30.00
14	35.54	32.50
15	38.04	35.00
16	40.54	37.50
17	43.04	40.00
18	45.54	42.50
19	48.04	45.00
20	50.54	47.50

## WAFER 90°



## WAFER

POS	A	B
2	5.00	2.50
3	7.50	5.00
4	10.00	7.50
5	12.50	10.00
6	15.00	12.50
7	17.50	15.00
8	20.00	17.50
9	22.50	20.00
10	25.00	22.50
11	27.50	25.00
12	30.00	27.50
13	32.50	30.00
14	35.00	32.50
15	37.50	35.00
16	40.00	37.50
17	42.50	40.00
18	45.00	42.50
19	47.50	45.00
20	50.00	47.50