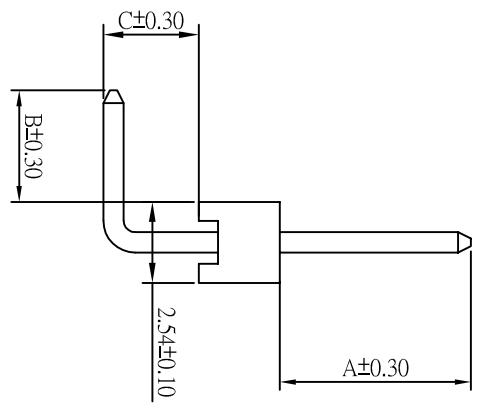
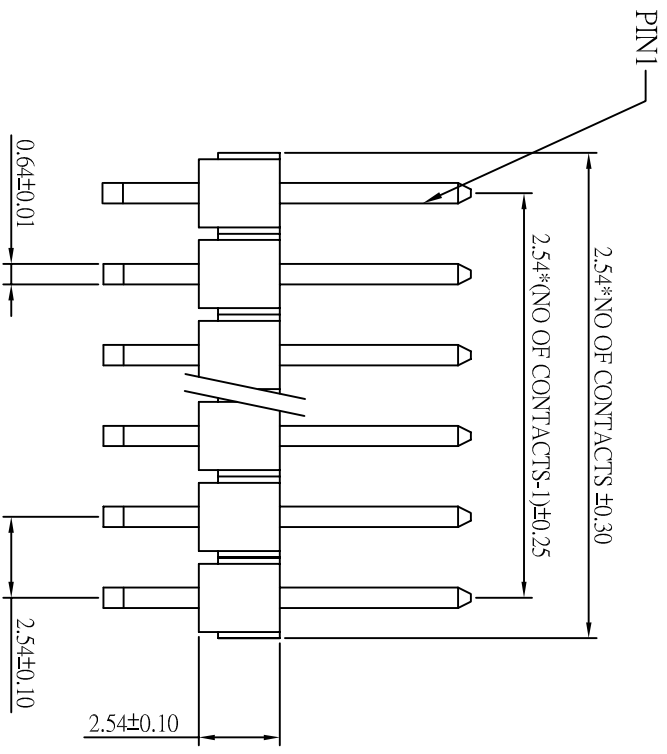


CUSTOMER COPY



Pin Chart

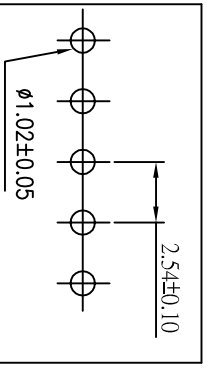
NO.	A	B	C	H	NC PIN
00	6.00	4.00	1.86	2.54	P3,4,7,10,11,13,14
01	6.00	4.00	1.86	2.54	P3,4,5,9
02	6.00	4.00	1.86	2.54	P2,5
03	6.00	3.50	1.86	2.54	P5,7
98	6.90	3.00	1.80	1.70	P2,4
99	6.90	3.00	1.80	1.70	P2,4,6

ORDER INFORMATION  
 184 06 XX XX X  
 Type \_\_\_\_\_  
 Chart \_\_\_\_\_  
 No. Of Contact (02 ~ 40)  
 Plating:  
 1: Tin  
 3: All Gold

SPECIFICATION

MATERIAL

- \* Current Rating: 3 A
- \* Withstanding Voltage: 800 VAC ( 1 min. )
- \* Insulation Resistance: 1000 Megohms min.
- \* Contact Resistance: 30 Milliohms max.
- \* Operating Temperature: -40°C to +85°C
- \* RETENTION FORCE 750g MIN.
- \* Insulator: High temperature plastic
- \* Plating: Gold



Recommended P.C. Board Hole Layout

		<b>ACMELUX CO., LTD.</b>	
TEL:886-85124595		FAX:886-2-85124322	
0.0±	SCALE:	TITLE:	PART NO:
0.00±	UNIT:	2.54MM (.100") Center Pin	APP BY:
0.000±	MM	HEADER R/A Single Row NC PIN	CHK BY:
MATERIAL:		DR BY: J.C	
DWG. NO. C18406XXXX			

REV	ECN NO.	APP.	DATE
A	NEW DESIGN		