



DTC114T

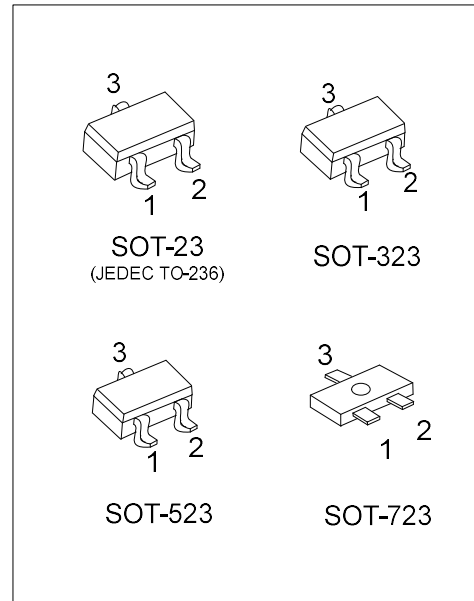
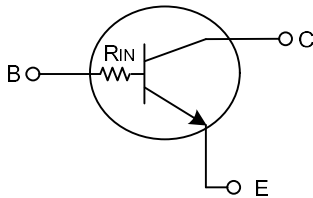
NPN SILICON TRANSISTOR

NPN DIGITAL TRANSISTOR (BUILT- IN BIAS RESISTORS)

■ **FEATURES**

- * Built-in bias resistors that implies easy ON/OFF applications.
- * The bias resistors are thin-film resistors with complete isolation to allow negative input.

■ **EQUIVALENT CIRCUIT**



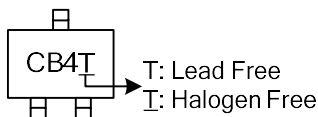
■ **ORDERING INFORMATION**

Ordering Number		Package	Pin Assignment			Packing
Lead Free	Halogen Free		1	2	3	
DTC114TL-AE3-R	DTC114TG-AE3-R	SOT-23	B	E	C	Tape Reel
DTC114TL-AL3-R	DTC114TG-AL3-R	SOT-323	B	E	C	Tape Reel
DTC114TL-AN3-R	DTC114TG-AN3-R	SOT-523	B	E	C	Tape Reel
DTC114TL-AQ3-R	DTC114TG-AQ3-R	SOT-723	B	E	C	Tape Reel

Note: Pin Assignment: B: Base E: Emitter C: Collector

<p>DTC114TG-AE3-R</p> <p>(1)Packing Type (2)Package Type (3)Green Package</p>	<p>(1) R: Tape Reel (2) AE3: SOT-23, AL3: SOT-323, AN3: SOT-523 AQ3: SOT-723 (3) G: Halogen Free and Lead Free, L: Lead Free</p>
---	--

■ **MARKING**



■ **ABSOLUTE MAXIMUM RATINGS** ($T_A=25^{\circ}\text{C}$, unless otherwise specified)

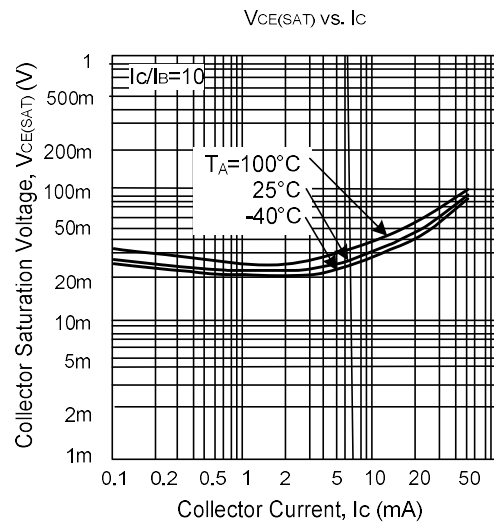
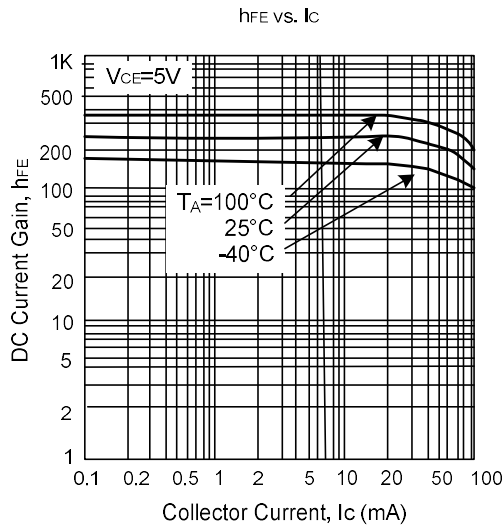
PARAMETER		SYMBOL	RATINGS	UNIT
Collector-Base Voltage		V_{CBO}	50	V
Collector-Emitter Voltage		V_{CEO}	50	V
Emitter-Base Voltage		V_{EBO}	5	V
Collector Current		I_C	100	mA
Power Dissipation	SOT-23/SOT-323	P_D	200	mW
	SOT-523		150	mW
	SOT-723		100	mW
Junction Temperature		T_J	+150	$^{\circ}\text{C}$
Storage Temperature		T_{STG}	-55 ~ +150	$^{\circ}\text{C}$

Note: Absolute maximum ratings are those values beyond which the device could be permanently damaged. Absolute maximum ratings are stress ratings only and functional device operation is not implied.

■ **ELECTRICAL CHARACTERISTICS** ($T_A=25^{\circ}\text{C}$, unless otherwise specified)

PARAMETER	SYMBOL	TEST CONDITIONS	MIN	TYP	MAX	UNIT
Collector-Base Breakdown Voltage	BV_{CBO}	$I_C=50\mu\text{A}$	50			V
Collector-Emitter Breakdown Voltage	BV_{CEO}	$I_C=1\text{mA}$	50			V
Emitter-Base Breakdown Voltage	BV_{EBO}	$I_E=50\mu\text{A}$	5			V
Collector-Emitter Saturation Voltage	$V_{CE(SAT)}$	$I_C=10\text{mA}, I_B=1\text{mA}$			0.3	V
Collector Cut-off Current	I_{CBO}	$V_{CB}=50\text{V}$			0.5	μA
Emitter Cut-off Current	I_{EBO}	$V_{EB}=4\text{V}$			0.5	μA
DC Current Gain	h_{FE}	$V_{CE}=5\text{V}, I_C=1\text{mA}$	100	300	600	
Input Resistance	R_{IN}		7	10	13	k Ω
Current Gain Bandwidth Product	f_T	$V_{CE}=10\text{V}, I_E=-5\text{mA}, f=100\text{MHz}$		250		MHz

■ TYPICAL CHARACTERISTICS



UTC assumes no responsibility for equipment failures that result from using products at values that exceed, even momentarily, rated values (such as maximum ratings, operating condition ranges, or other parameters) listed in products specifications of any and all UTC products described or contained herein. UTC products are not designed for use in life support appliances, devices or systems where malfunction of these products can be reasonably expected to result in personal injury. Reproduction in whole or in part is prohibited without the prior written consent of the copyright owner. UTC reserves the right to make changes to information published in this document, including without limitation specifications and product descriptions, at any time and without notice. This document supersedes and replaces all information supplied prior to the publication hereof.