

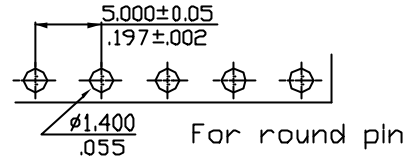
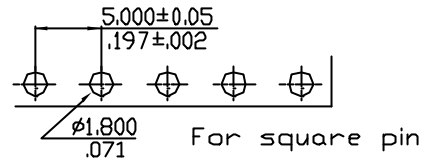
*** 5001 Series ***

Material :

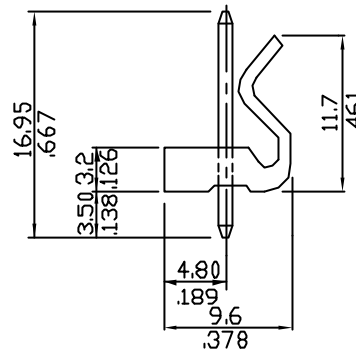
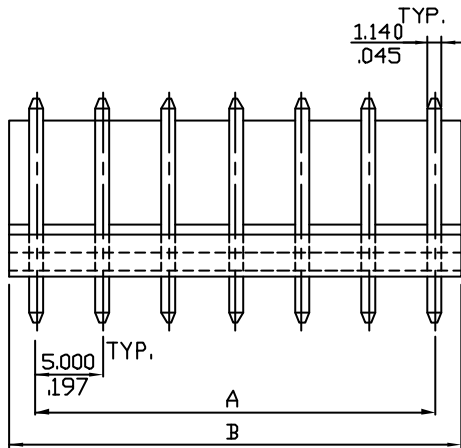
* Insulstor : UL 94V-0 NYLON 6/6

* Contact : Brass

* Plating : Tin Plated 120u" min. over
30~50 u" nickel overall



RECOMMENDED HOLE PATTERN



| CIRCUITS | PART NO. | | DIMENSION | |
|----------|-------------|-------------|-------------|-------------|
| | SQUARE PIN | ROUND PIN | A | B |
| 2 | 5001P020013 | 5001P020R13 | 5.00(.197) | 10.0(.394) |
| 3 | 5001P030013 | 5001P030R13 | 10.0(.394) | 15.0(.591) |
| 4 | 5001P040013 | 5001P040R13 | 15.0(.591) | 20.0(.787) |
| 5 | 5001P050013 | 5001P050R13 | 20.0(.787) | 25.0(.984) |
| 6 | 5001P060013 | 5001P060R13 | 25.0(.984) | 30.0(1.181) |
| 7 | 5001P070013 | 5001P070R13 | 30.0(1.181) | 35.0(1.378) |
| 8 | 5001P080013 | 5001P080R13 | 35.0(1.378) | 40.0(1.575) |
| 9 | 5001P090013 | 5001P090R13 | 40.0(1.575) | 45.0(1.772) |
| 10 | 5001P100013 | 5001P100R13 | 45.0(1.772) | 50.0(1.969) |
| 11 | 5001P110013 | 5001P110R13 | 50.0(1.969) | 55.0(2.165) |
| 12 | 5001P120013 | 5001P120R13 | 55.0(2.165) | 60.0(2.362) |
| 13 | 5001P130013 | 5001P130R13 | 60.0(2.362) | 65.0(2.559) |
| 14 | 5001P140013 | 5001P140R13 | 65.0(2.559) | 70.0(2.756) |
| 15 | 5001P150013 | 5001P150R13 | 70.0(2.756) | 75.0(2.953) |
| 16 | 5001P160013 | 5001P160R13 | 75.0(2.953) | 80.0(3.150) |

| | | | | | | | | | | |
|----------------------------------------------|----------|---------------------------------|-------|---------------------------------------|--|--------------------|------------|------------|--------------|-----------|
| LECO CORPORATION | | | | APPROVED BY: | | PART NO.: | | | | |
| | | | | DATE: | | 5001P**0*13 | | | | |
| GENERAL TOLERANCE X. ± X' ± 2" | | | | CHECKED BY: | | TITLE: | | | | |
| | | | | DATE: | | HEADER | | | | |
| B | ES020431 | X ± $\frac{0.30}{.012}$ X' ± 1" | | DRAW BY: | | DRAWING NO.: | | | | |
| A | ES011233 | | | XX ± $\frac{0.20}{.008}$ XX' ± 0.5" | | 500101S | | | | |
| REV. | ECO. NO. | CHG | APPD. | XXX ± $\frac{0.10}{.004}$ XXX' ± 0.1" | | UNITS mm / inch | SCALE ~ | SIZE A4 | SHEET 1/1 | REV. B |