

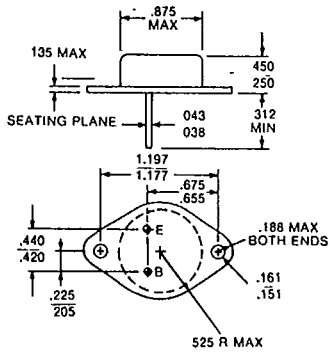
Type	Polarity	I _c Max Amps	V _{CE0} (SUS) Volts	Package
2N6192	PNP	5.0	100	TO-39
2N6193	PNP	5.0	100	TO-39
2N6211	PNP	2.0	250 (V _{CER})	TO-66
2N6212	PNP	2.0	325 (V _{CER})	TO-66
2N6213	PNP	2.0	375 (V _{CER})	TO-66
2N6214	PNP	2.0	425 (V _{CER})	TO-66
2N6215	NPN	50.0	80	TO-63
2N6216	NPN	10.0	150	TO-3
2N6217	NPN	10.0	80	TO-3
2N6226	PNP	6.0	100	TO-3
2N6227	PNP	6.0	120	TO-3
2N6228	PNP	6.0	140	TO-3
2N6229	PNP	10.0	100	TO-3
2N6230	PNP	10.0	120	TO-3
2N6231	PNP	10.0	140	TO-3
2N6232	NPN	10.0	100	TO-5
2N6233	NPN	5.0	225	TO-66
2N6234	NPN	5.0	275	TO-66
2N6235	NPN	5.0	325	TO-66
2N6246	PNP	15.0	60	TO-3
2N6247	PNP	15.0	80	TO-3
2N6248	PNP	10.0	110	TO-3
2N6249	NPN	10.0	225 (V _{CER})	TO-3
2N6250	NPN	10.0	300 (V _{CER})	TO-3
2N6251	NPN	10.0	375 (V _{CER})	TO-3
2N6253	NPN	15.0	45	TO-3
2N6254	NPN	15.0	80	TO-3
2N6257	NPN	20.0	40	TO-3
2N6260	NPN	3.0	40	TO-66
2N6261	NPN	4.0	80	TO-66
2N6262	NPN	10.0	150	TO-3
2N6263	NPN	3.0	120	TO-66
2N6264	NPN	3.0	150	TO-66
2N6270	NPN	30.0	80	TO-3
2N6271	NPN	30.0	100	TO-3
2N6272	NPN	30.0	80	TO-63
2N6273	NPN	30.0	100	TO-63
2N6274	NPN	50.0	100	TO-3
2N6275	NPN	50.0	120	TO-3
2N6276	NPN	50.0	140	TO-3
2N6277	NPN	50.0	150	TO-3
2N6278	NPN	50.0	100	TO-63
2N6279	NPN	50.0	120	TO-63
2N6280	NPN	50.0	140	TO-63
2N6281	NPN	50.0	150	TO-63
2N6282	NPN	20.0	60	TO-3
2N6283	NPN	20.0	80	TO-3
2N6284	NPN	20.0	100	TO-3
2N6294	NPN	4.0	60	TO-66
2N6295	NPN	4.0	80	TO-66
2N6296	PNP	4.0	60	TO-66
2N6297	PNP	4.0	80	TO-66
2N6298	PNP	8.0	60	TO-66
2N6299	PNP	8.0	80	TO-66
2N6300	NPN	8.0	60	TO-66

Type	Polarity	I _c Max Amps	V _{CE0} (SUS) Volts	Package
2N6301	NPN	8.0	80	TO-66
2N6302	NPN	16.0	120	TO-3
2N6303	PNP	3.0	80	TO-5
2N6306	NPN	8.0	250	TO-3
2N6307	NPN	8.0	300	TO-3
2N6308	NPN	8.0	350	TO-3
2N6312	PNP	5.0	40	TO-66
2N6313	PNP	5.0	60	TO-66
2N6314	PNP	5.0	80	TO-66
2N6315	NPN	7.0	60	TO-66
2N6316	NPN	7.0	80	TO-66
2N6317	PNP	7.0	60	TO-66
2N6318	PNP	7.0	80	TO-66
2N6322	NPN	30.0	200	TO-3
2N6323	NPN	30.0	300	TO-3
2N6324	NPN	30.0	200	TO-63
2N6325	NPN	30.0	300	TO-63
2N6326	NPN	30.0	60	TO-3
2N6327	NPN	30.0	80	TO-3
2N6328	NPN	30.0	100	TO-3
2N6329	PNP	30.0	60	TO-3
2N6330	PNP	30.0	80	TO-3
2N6331	PNP	30.0	100	TO-3
2N6338	NPN	25.0	100	TO-3
2N6339	NPN	25.0	120	TO-3
2N6340	NPN	25.0	140	TO-3
2N6341	NPN	25.0	150	TO-3
2N6350	NPN	5.0	80	TO-33
2N6351	NPN	10.0	150	TO-33
2N6352	NPN	5.0	80	F-24
2N6353	NPN	10.0	150	F-24
2N6354	NPN	10.0	120	TO-3
2N6355	NPN	20.0	40	TO-3
2N6356	NPN	20.0	40	TO-3
2N6357	NPN	20.0	60	TO-3
2N6358	NPN	20.0	60	TO-3
2N6359	NPN	16.0	80	TO-3
2N6360	NPN	12.0	100	TO-3
2N6371	NPN	16.0	50	TO-3
2N6372	NPN	6.0	40	TO-66
2N6373	NPN	6.0	60	TO-66
2N6374	NPN	6.0	80	TO-66
2N6377	PNP	50.0	80	TO-3
2N6378	PNP	50.0	100	TO-3
2N6379	PNP	50.0	120	TO-3
2N6380	PNP	50.0	80	TO-63
2N6381	PNP	50.0	100	TO-63
2N6382	PNP	50.0	120	TO-63
2N6383	NPN	10.0	40	TO-3
2N6384	NPN	10.0	60	TO-3
2N6385	NPN	10.0	80	TO-3
2N6420	PNP	1.0	175	TO-66
2N6436	PNP	25.0	80	TO-3
2N6437	PNP	25.0	100	TO-3
2N6438	PNP	25.0	120	TO-3

For additional JEDEC 2NXXXX, see numerical index on page 9.

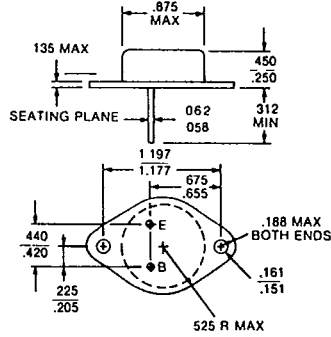
PACKAGE DESCRIPTIONS AND OUTLINE DRAWINGS

TO-3 PACKAGE



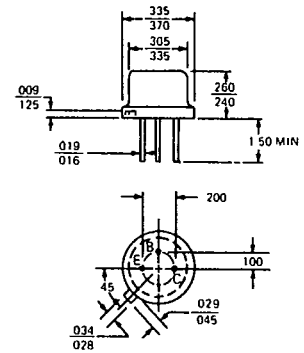
Collector is connected to case.

MODIFIED TO-3 PACKAGE
(60 mil pins)



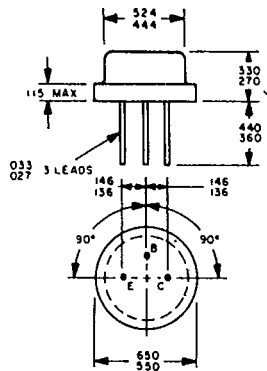
Collector is connected to case.

TO-5 PACKAGE



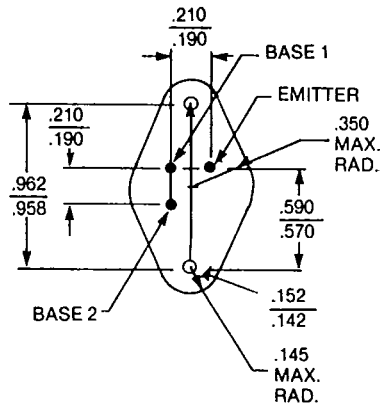
Collector is connected to case.

TO-8 PACKAGE



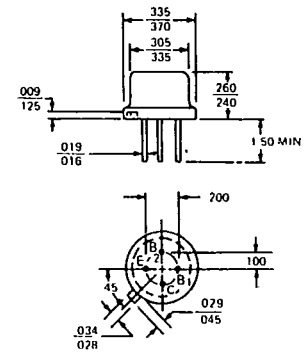
Collector is connected to case.

F-24 PACKAGE
(3-LEADED TO-66)



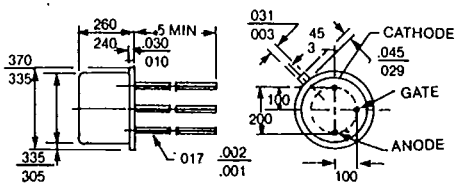
Collector is connected to case.

TO-33 PACKAGE



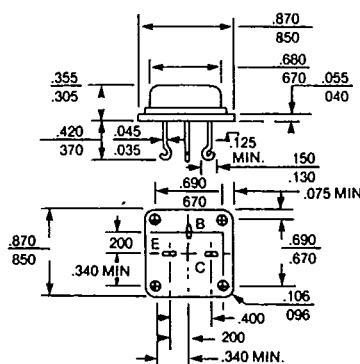
Collector is connected to case.

TO-39 PACKAGE



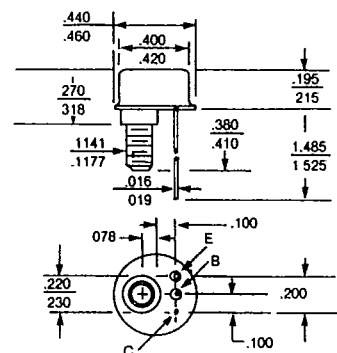
Collector is connected to case.

TO-53 PACKAGE



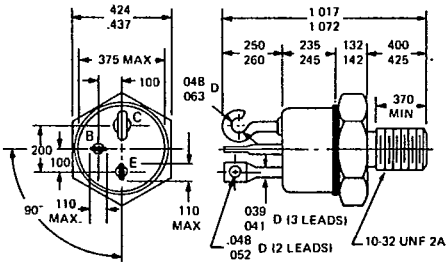
Collector is connected to case.

TO-57 PACKAGE



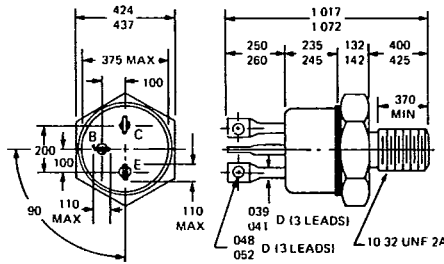
Collector is connected to case.

TO-59 PACKAGE



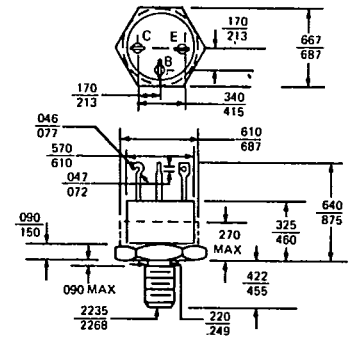
Collector is connected to case.

**TO-59 PACKAGE
ISOLATED COLLECTOR**



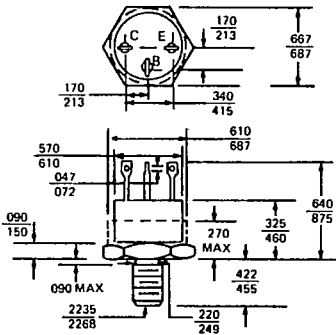
Collector is electrically isolated from case.

TO-61 PACKAGE



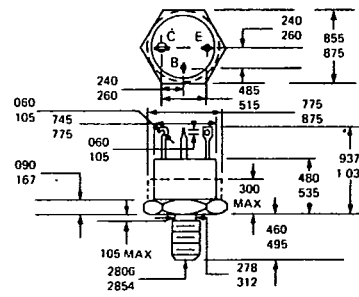
Collector is connected to case.

**TO-61 PACKAGE
ISOLATED COLLECTOR**



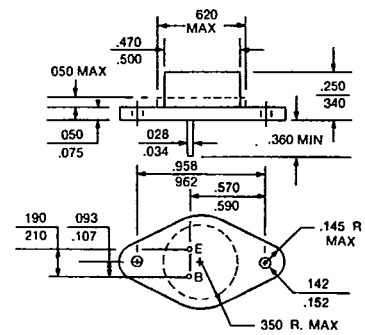
Collector is electrically isolated from case.

TO-63 PACKAGE



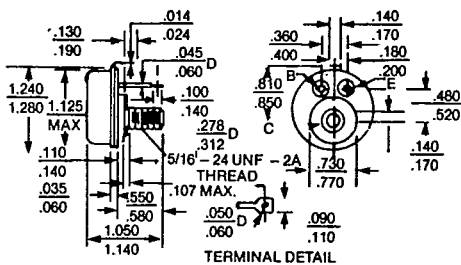
Collector is connected to case.

TO-66 PACKAGE



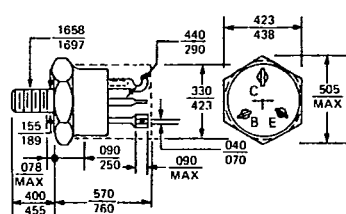
Collector is connected to case.

TO-82 PACKAGE



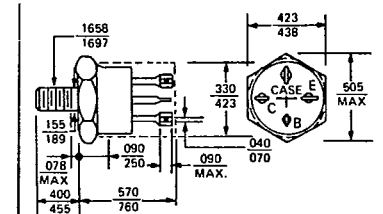
Collector is connected to case.

TO-111 PACKAGE



Collector is connected to case.

**TO-111 PACKAGE
ISOLATED COLLECTOR**



Collector is electrically isolated from case.