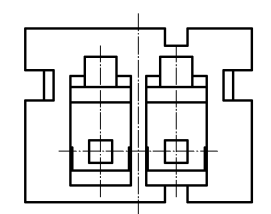
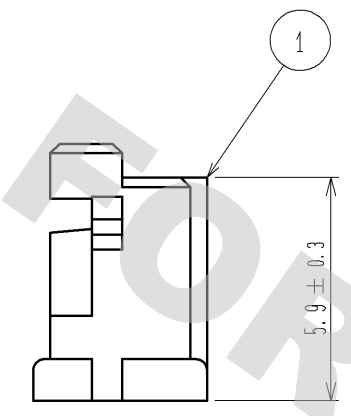
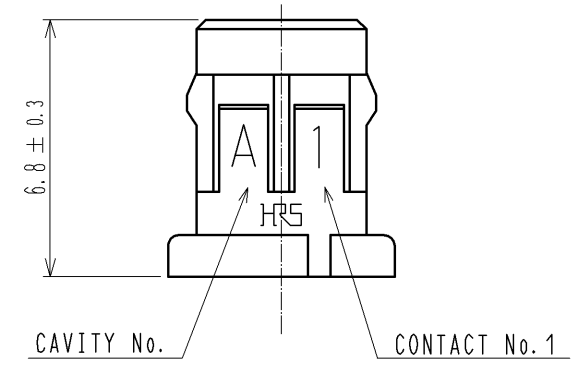
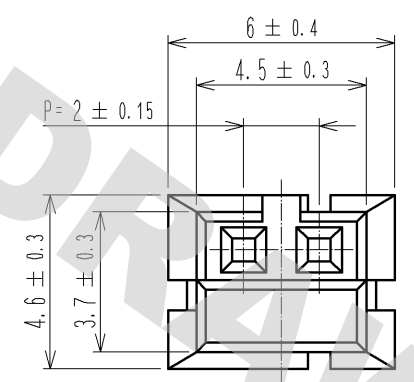


DRAWING FOR REFERENCE: This is subject to change without notice
08/11/2012



NOTE1 : THE MINIMUM ORDERING QUANTITY IS ONE PACKAGE.
(CONTAINING 100 PIESES)

NO.		MATERIAL		FINISH . REMARKS		1		POLYAMIDE		BLACK, UL94V-0			
UNITS		SCALE		COUNT		DESCRIPTION OF REVISIONS		DESIGNED		CHECKED		DATE	
mm		5 : 1		△									
HRS HIROSE ELECTRIC CO., LTD.		APPROVED : TS. SAKATA		08.11.17		DRAWING NO.		EDC3-018839-02					
		CHECKED : TS. KUMAZAWA		08.11.10		PART NO.		DF3-2S-2C					
		DESIGNED : KT. ISHII		08.11.10		CODE NO.		CL543-0003-8-00					
		DRAWN : KT. ISHII		08.11.10									
												△ 1/1	