

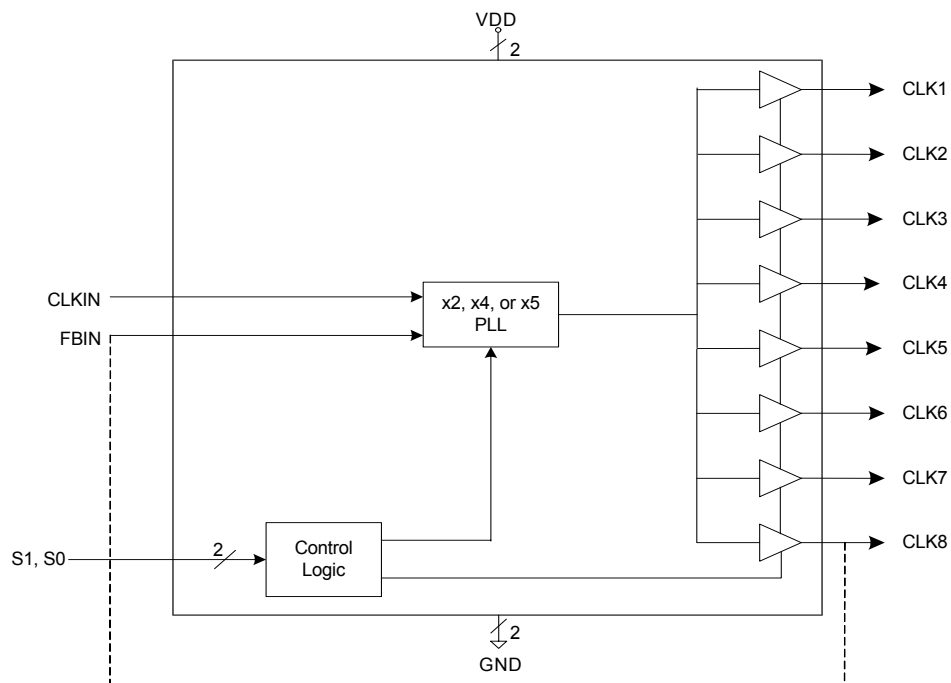
**ZERO DELAY LOW SKEW BUFFER AND MULTIPLIER**
**ICS671-01**
**Description**

The ICS671-01 is a low phase noise, high speed PLL based, 8 output, low skew zero delay buffer and multiplier. Based on ICS' proprietary low jitter Phase Locked Loop (PLL) techniques, the device provides eight low skew outputs at speeds up to 160 MHz at 3.3V. The part includes a bank of six outputs running at either x2 or x4 mode, one output running at either x2, x4, or x4 mode, and one additional output running at either x1, x2, or x4 mode. For normal operation as a zero delay buffer, any output clock is tied to the FBIN pin.

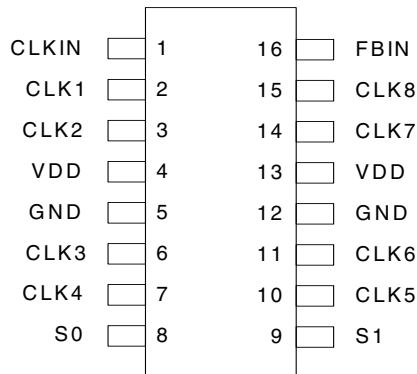
ICS manufactures the largest variety of clock generators and buffers and is the largest clock supplier in the world.

**Features**

- Packaged in 16 pin SOIC
- Available in Pb (lead) free package
- Clock outputs from 5 to 160 MHz
- Zero input-output delay
- Integrated x2 or x4 selections, and x5 for CLK7
- Eight low-skew (<250 ps) outputs
- Full CMOS outputs with 25 mA output drive capability at TTL levels
- Tri-state mode for board-level testing
- Advanced, low power, sub-micron CMOS process
- Operating voltage of 3.3V or 5V

**Block Diagram**


## Pin Assignment



16 pin narrow (150 mil) SOIC

## Output Clock Mode Select Table

S1	S0	CLK1:6	CLK7	CLK8	Input Range
0	0	Tri-state (note 1)	Tri-state (note 1)	Tri-state (note 1)	-
0	1	x2 (note 2)	x5 (note 2)	x1	5 to 30 MHz
1	0	x2	x2	x2	15 to 80 MHz
1	1	x4	x4	x4	7.5 to 40 MHz

Note 1. Outputs are in high impedance state

Note 2: In S1:S0 = 01 Mode, only the x1 output on CLK 8 will be zero delay. The x2 and x5 outputs can power-up in different states so the skew relationship is not defined.

## Pin Descriptions

Pin Number	Pin Name	Pin Type	Pin Description
1	CLKIN	Input	Clock input.
2-3, 6-7, 10-11	CLK1:6	Output	Clock outputs 1:6. See table above.
4	VDD	Power	Power supply. Connect both pins to the same voltage (either 3.3V or 5V).
5	GND	Power	Connect to ground.
8	S0	Input	Select input 0. See table above.
9	S1	Input	Select input 1. See table above.
12	GND	Power	Connect to ground.
13	VDD	Power	Power supply. Connect both pins to the same voltage (either 3.3V or 5V).
14	CLK7	Output	Clock output 7. See table above.
15	CLK8	Output	Clock output 8. See table above. Normally use this clock as feedback.
16	FBIN	Input	Feedback input. Connect to CLK8 under normal operations.

## External Components

The ICS671-01 requires a minimum number of external components for proper operation. Decoupling capacitors of 0.01mF should be connected between VDD and GND on pins 4 and 5, and VDD and GND on pins 13 and 12, as close to the device as possible. A series termination resistor of 33Ω may be used to each clock output pin to reduce reflections.

## Absolute Maximum Ratings

Stresses above the ratings listed below can cause permanent damage to the ICS671-01. These ratings, which are standard values for ICS commercially rated parts, are stress ratings only. Functional operation of the device at these or any other conditions above those indicated in the operational sections of the specifications is not implied. Exposure to absolute maximum rating conditions for extended periods can affect product reliability. Electrical parameters are guaranteed only over the recommended operating temperature range.

Item	Rating
Supply Voltage, VDD	7V
All Inputs and Outputs	-0.5V to VDD+0.5V
CLKIN and FBIN inputs	-0.5V to 5.5V
Electrostatic Discharge	2000 V
Ambient Operating Temperature	0 to +70°C
Storage Temperature	-65 to +150°C
Junction Temperature	150°C
Soldering Temperature	260°C

## Recommended Operation Conditions

Parameter	Min.	Typ.	Max.	Units
Ambient Operating Temperature	0		+70	°C
Power Supply Voltage (measured in respect to GND)	+3.13		+5.50	V

## DC Electrical Characteristics

VDD=3.3V ±10%, Ambient temperature 0 to +70°C, unless stated otherwise

Parameter	Symbol	Conditions	Min.	Typ.	Max.	Units
Operating Voltage	VDD		3.13		5.5	V
Input High Voltage	V <sub>IH</sub>	CLKIN	VDD/2+1	VDD/2		V
Input Low Voltage	V <sub>IL</sub>	CLKIN		VDD/2	VDD/2-1	V
Input High Voltage	V <sub>IH</sub>		2			V
Input Low Voltage	V <sub>IL</sub>				0.8	V
Input Low Current	I <sub>IL</sub>	V <sub>IN</sub> = 0V			50	μA
Input High Current	I <sub>IH</sub>	V <sub>IN</sub> = VDD			100	μA
Output High Voltage	V <sub>OH</sub>	I <sub>OH</sub> = -25 mA	2.4			V

Parameter	Symbol	Conditions	Min.	Typ.	Max.	Units
Output Low Voltage	$V_{OL}$	$I_{OL} = 25\text{mA}$			0.4	V
Output High Voltage, CMOS level	$V_{OH}$	$I_{OH} = -8\text{mA}$	VDD-0.4			V
Operating Supply Current	IDD	No Load, S1 = 1, S0 = 0, Note 1		25		mA
		No Load, S1 = 1, S0 = 0 Note 2				
Power Down Supply Current	IDDPD	CLKIN = 0, S0 = 0, S1 = 0		500		$\mu\text{A}$
Short Circuit Current	$I_{OS}$	Each output		$\pm 50$		mA
Input Capacitance	$C_{IN}$	S0, S1, FBIN		7		pF

## AC Electrical Characteristics

VDD = 3.3V  $\pm 10\%$ , Ambient Temperature 0 to +70°C,  $C_{LOAD}$  at CLK = 15 pF, unless stated otherwise

Parameter	Symbol	Conditions	Min.	Typ.	Max.	Units
Input Clock Frequency	$f_{IN}$	See table on page 2	5		80	MHz
Output Clock Frequency		See table on page 2	5		160	MHz
Output Rise Time	$t_{OR}$	0.8 to 2.0V, CL=30 pF			1.5	ns
Output Fall Time	$t_{OF}$	2.0 to 0.8V, CL=30 pF			1.5	ns
Output Clock Duty Cycle	$t_{DC}$	measured at VDD/2	40	50	60	%
Device to Device Skew		rising edges at VDD/2, Note 3			700	ps
Output to Output Skew		rising edges at VDD/2, Note 3			250	ps
Input to Output Skew		rising edges at VDD/2, FBIN to CLK8			$\pm 350$	ps
Maximum Absolute Jitter		15 pF		300		ps
Cycle to Cycle Jitter		30 pF loads			500	ps
PLL Lock Time		Note 3			1.0	ms

Note 1: With CLKIN = 20 MHz, FBIN to CLK8, all outputs at 40 MHz.

Note 2: With CLKIN = 80 MHz, FBIN to CLK8, all outputs at 160 MHz.

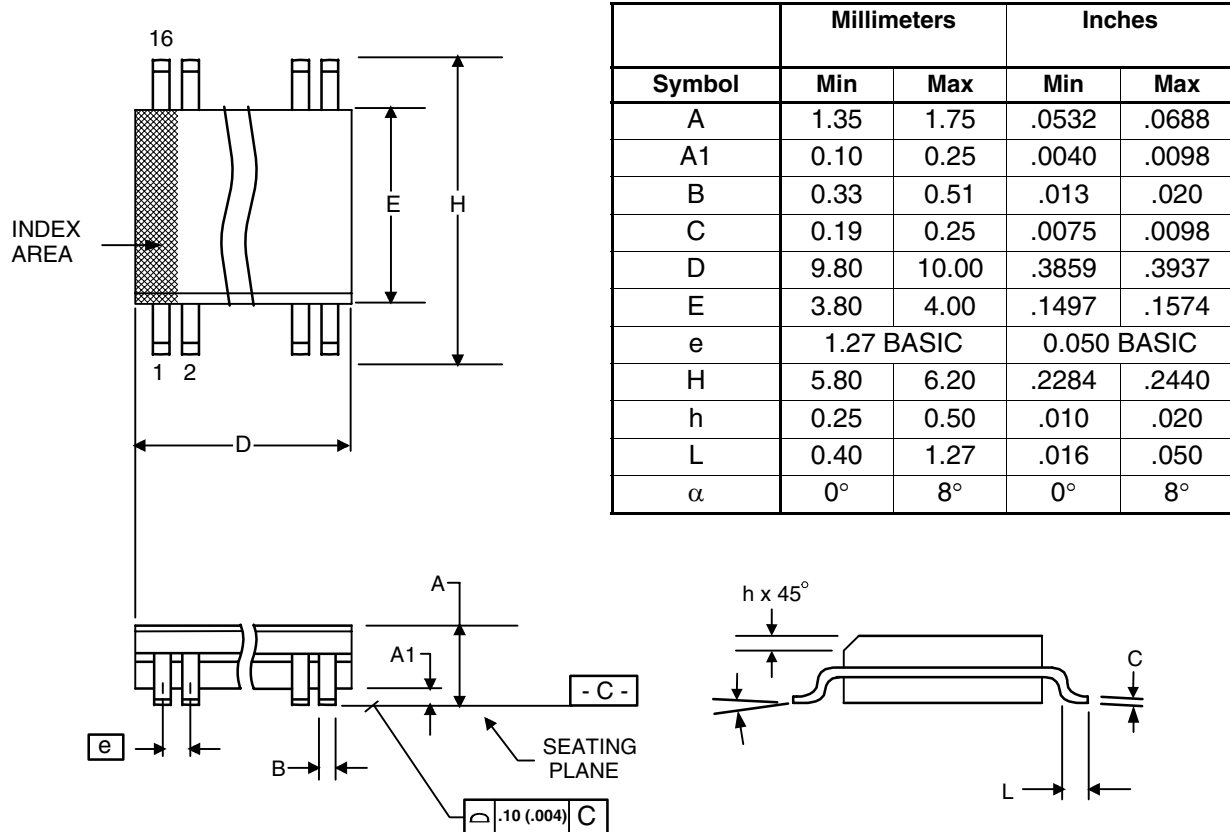
Note 3: These specs do not apply to mode 01.

## Thermal Characteristics (16 pin SOIC)

Parameter	Symbol	Conditions	Min.	Typ.	Max.	Units
Thermal Resistance Junction to Ambient	$\theta_{JA}$	Still air		120		$^{\circ}\text{C/W}$
	$\theta_{JA}$	1 m/s air flow		115		$^{\circ}\text{C/W}$
	$\theta_{JA}$	3 m/s air flow		105		$^{\circ}\text{C/W}$
Thermal Resistance Junction to Case	$\theta_{JC}$			58		$^{\circ}\text{C/W}$

## Package Outline and Package Dimensions (16 pin SOIC, 150 Mil. Narrow Body)

Package dimensions are kept current with JEDEC Publication No. 95



## Ordering Information

Part / Order Number	Marking	Shipping Packaging	Package	Temperature
ICS671M-01	ICS671M-01	Tubes	16-pin SOIC	0 to +70° C
ICS671M-01T	ICS671M-01	Tape and Reel	16-pin SOIC	0 to +70° C
ICS671M-01LF	ICS671M-01LF	Tubes	16-pin SOIC	0 to +70° C
ICS671M-01LFT	ICS671M-01LF	Tape and Reel	16-pin SOIC	0 to +70° C

Parts that are ordered with a "LF" suffix to the part number are the Pb-Free configuration and are RoHS compliant.

While the information presented herein has been checked for both accuracy and reliability, Integrated Circuit Systems (ICS) assumes no responsibility for either its use or for the infringement of any patents or other rights of third parties, which would result from its use. No other circuits, patents, or licenses are implied. This product is intended for use in normal commercial applications. Any other applications such as those requiring extended temperature range, high reliability, or other extraordinary environmental requirements are not recommended without additional processing by ICS. ICS reserves the right to change any circuitry or specifications without notice. ICS does not authorize or warrant any ICS product for use in life support devices or critical medical instruments.

Innovate with IDT and accelerate your future networks. Contact:

**www.IDT.com**

**For Sales**

800-345-7015  
408-284-8200  
Fax: 408-284-2775

**For Tech Support**

<product line email>  
<product line phone>

---

**Corporate Headquarters**

Integrated Device Technology, Inc.  
6024 Silver Creek Valley Road  
San Jose, CA 95138  
United States  
800 345 7015  
+408 284 8200 (outside U.S.)

**Asia Pacific and Japan**

Integrated Device Technology  
Singapore (1997) Pte. Ltd.  
Reg. No. 199707558G  
435 Orchard Road  
#20-03 Wisma Atria  
Singapore 238877  
+65 6 887 5505

**Europe**

IDT Europe, Limited  
Prime House  
Barnett Wood Lane  
Leatherhead, Surrey  
United Kingdom KT22 7DE  
+44 1372 363 339



www.IDT.com