

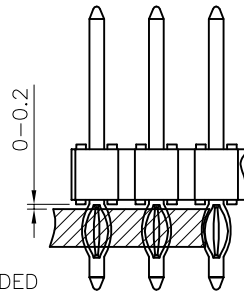
PRODUCT NUMBER
93690-YXX-XXLF

PLATING, SEE TABLE

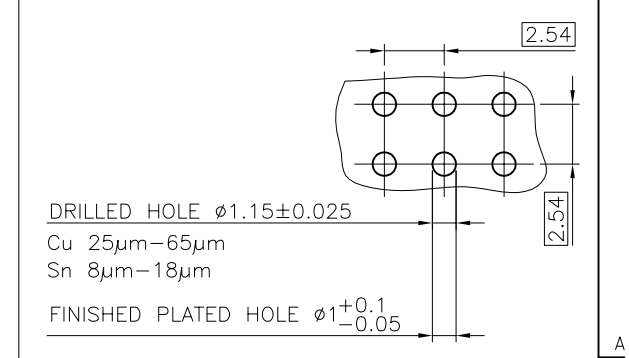
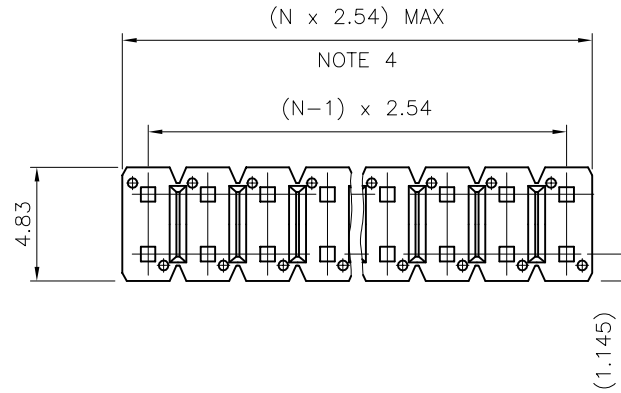
LEAD FREE
SEE NOTE 6 & 7

TOTAL NB OF POS
04 TO 72

PIN STYLE	DIM "A" REF	DIM "B" ±0.3	DIM "L" ±0.15
01	7.50	4.50	14.78
02	10.14	4.50	17.40
03	5.68	4.50	12.83
04	14.80	4.75	22.15
05	8.30	4.50	15.44
06	6.80	3.60	12.90
07	6.70	3.40	12.62
08	5.20	3.40	11.10
09	8.30	3.60	14.40

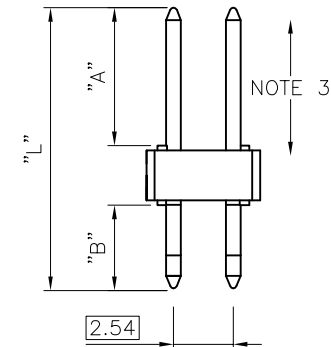
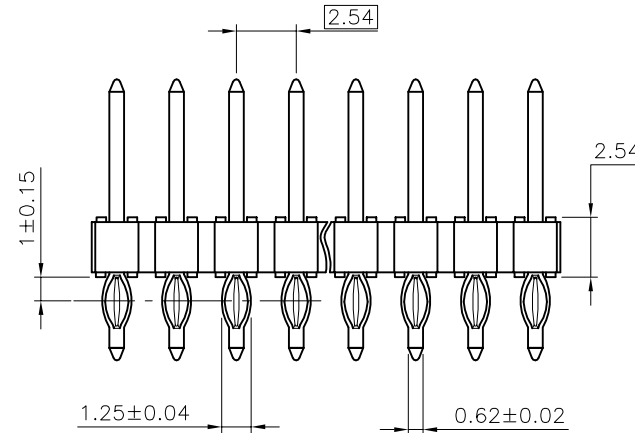


RECOMMENDED
POSITION ON THE PCB



NOTES:

- HOUSING MAT'L : HIGH TEMPERATURE THERMOPLASTIC. UL94V-0 COLOR: BLACK
- PIN MATERIAL : COPPER ALLOY
- 9N MIN RETENTION IN EITHER DIRECTION
- TO DETERMINE DIMENSIONS :
N = NUMBER OF POSITIONS PER ROW
EXAMPLE : 8 POS PER ROW, N x 2.54 = 20.32mm
- PACKAGING POLYBAGS
- LEAD FREE CONNECTOR
- "LF" MEANS THAT THE PRODUCT IS RoHS COMPLIANT THEN MEETS EUROPEAN UNION DIRECTIVES AND OTHER COUNTRY REGULATION AS DESCRIBED IN GS-47-0004



93690-9XX-XXLF	0.2µm GOLD OVER 1.27µm Ni MIN	
93690-7XX-XXLF	GOLD FLASH OVER 1.27µm Ni MIN	1.0µm TIN OVER 1.27µm Ni MIN
93690-4XX-XXLF	3.05µm TIN OVER 1.27µm Ni MIN	
93690-1XX-XXLF	0.76µm GOLD/GXT OVER 1.27µm Ni MIN	1.0µm TIN OVER 1.27µm Ni MIN
93690-4XX-XX	3.05µm TIN-LEAD OVER 1.27µm Ni MIN	
93690-1XX-XX	0.76µm GOLD/GXT OVER 1.27µm Ni MIN	1.0µm TIN OVER 1.27µm Ni MIN
PLATING	CONTACT AREA	PRESS FIT TAIL AREA

mat'l. code		surface	tolerance	projection	product family	
SEE NOTE		ISO 1302	ISO 406 ISO 1101	ISO 1101	BSTIK	
ltr	ecn no	dr	date	tolerances unless otherwise specified	title	
H	F06-0196	LMU	06.06.20	angles	HDR PRESS FIT DOUBLE ROW	
J	F07-0142	LMU	07.02.23	linear		
K	F08-0148	RTR	08.03.31		scale 5:1	
L	F09-0043	JCO	09.05.07	dr	MULIN.L	99.06.30
M	F10-0229	LMU	10.10.04	engr	COMPAGNON J	99.06.30
N	B16804	JCO	14.01.21	chr	NIZZI.P	99.06.30
				appd	JM.C	96.05.06
sheet index	revision sheet					