

**SPECIFICATION** SPC-3395 (versi on 01)

Item Name : TACT SWITCHES

Item No. : RS-364 SERIES

1. Rated voltage and current : DC 12 V , 50 mA

2. Function : 1 P (Pole) - 1 T (Throw)

3. Timing : NON-SHORTING

4. Electrical  
performance

	Test conditions	Performance
4.1 Contact resistance	Being measured at 1KHz $\pm$ 200 Hz at no load.	Max. 100 m $\Omega$
4.2 Insulation resistance	Being measured with an insulation measuring device of DC 100V between any open terminals and between the terminal and the frame for 1 minute $\pm$ 5 seconds.	Min. 100 M $\Omega$
4.3 Dielectric strength	Withstand AC 250V (50-60Hz) for 1 minute being applied between any open terminals and between the terminal and the frame.	Not breaking insulation

5. Mechanical  
performance

	Test conditions	Performance
5.1 Operating force (gf)	The force is applied to the top of knob in operating direction (full travel)	
5.2 Terminal strength	A static force of 500gf being applied in one direction on the tip of the terminal for 1 minute.	The terminal may be deformed, but shall not sustain any trouble as deviation and breaking of terminal, and breaking of insulation material. Electrical performance of the above 4 shall be assured.

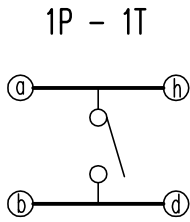
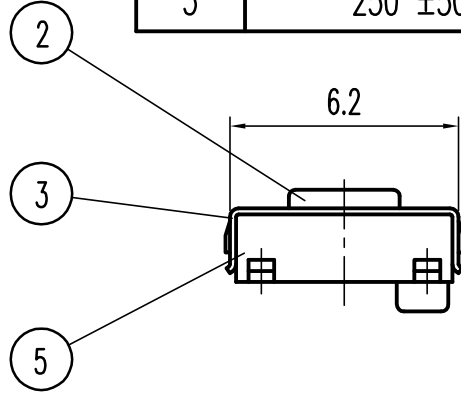
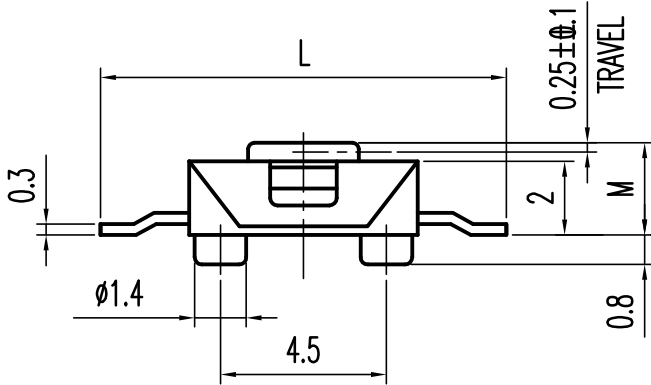
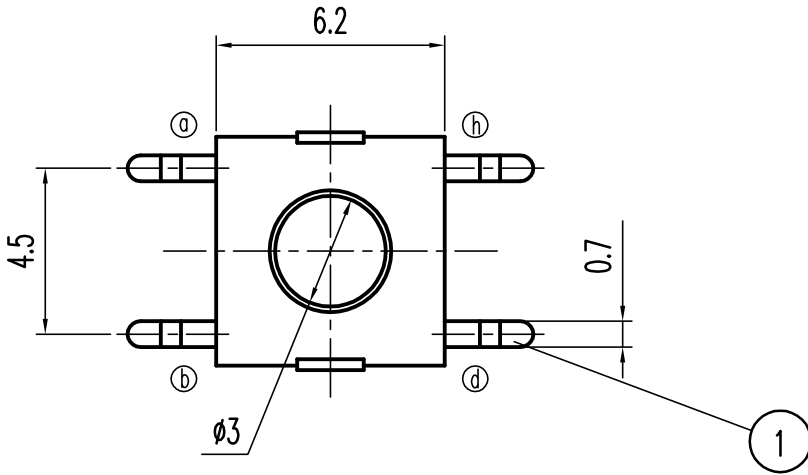
6. Durability :

	Test conditions	Performance
Operating life	100,000 cycles operating at a rate of 15-20 cycles per minute, without load.	(1) Contact resistance : Max. 500 m $\Omega$ (2) Insulation resistance : Min. 10 M $\Omega$ (3) Withstand voltage : AC 250V, 1 minute, not breaking insulation. (4) Operating force : -30% or less of initial value. (5) There shall be no defects in appearance or in the mechanical functions.

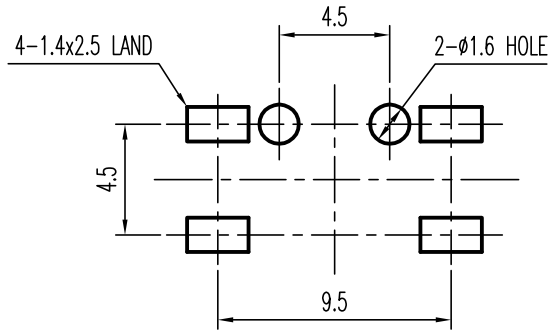
7. Solderability : 260  $\pm$  5  $^{\circ}$ C , 5  $\pm$  0.5 second.8. Practical temperature range : -20  $^{\circ}$ C --- +70  $^{\circ}$ C.

ITEM NO.	M	L
RS-364R02A□-A	2.5	8
RS-364R02A□-B	2.5	10
RS-364R02B□-A	3.1	8
RS-364R02B□-B	3.1	10

□	OPERATING FORCE(gf)
H	100 ±30
0	130 ±30
1	160 ±30
3	250 ±50



SCHEMATIC



PIERCING PLAN

5	HOUSING	NYLON66 G30	1	BLACK				
4	CONTACT	C5210R-EH/Ag CLAD	1	NATURAL				
3	COVER	SUS 304	1	NATURAL				
2	NOB	NYLON66 G30	1	RED				
1	TERMINAL	C2680R-EH	4	Ag PLATED	REV	DESCRIPTION	SIGN.	DATE
NO	PART	MATERIAL	QTY	REMARKS	VERSION 02	DWC NO. ITEM2048		

TOLERANCES UNLESS OTHERWISE SPEC.		TITLE	TACT SWITCH		ITEM NO.	RS-364R02		
UNDER 1	± 0.10	DRAWN	K . L I	03 Oct 02	SCALE	6 : 1	UNIT	mm
1 - 10	± 0.30	APPROVED			PROJECTION			
OVER 10	± 0.50							

**COMAX** INDUSTRIAL CO., LTD.