

C05a

SHROUDED HEADER STRAIGHT

PITCH: 2.0mm

SPECIFICATIONS

Material

Insulator : Nylon 66, glass reinforced, rated UL 94V-0

Contact : Brass

Electrical

Current Rating : 1 Amp

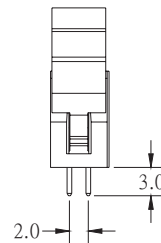
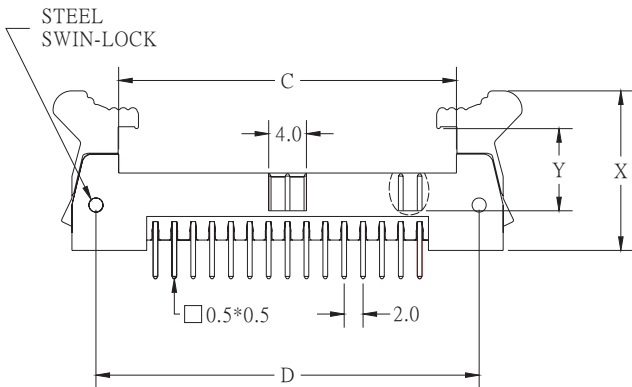
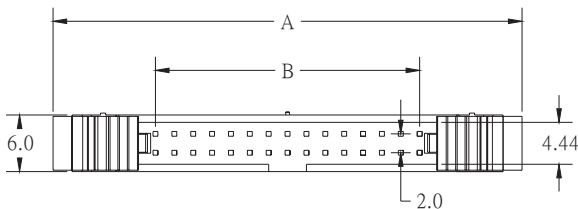
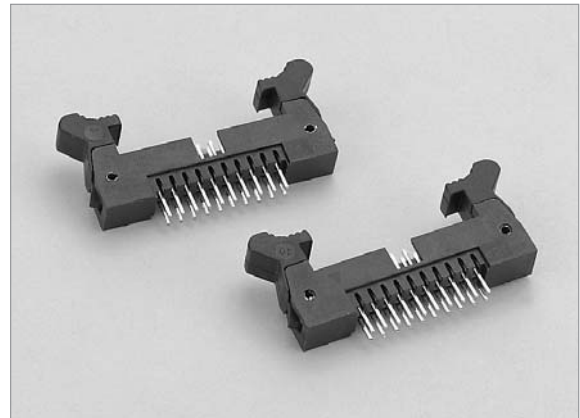
Contact Resistance : 30 mΩ max.

Insulation Resistance : 3000 MΩ min.

Dielectric Withstanding Voltage : 500V AC for 1minute

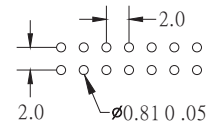
Operating Temperature : -40°C to +105°C

◆ Mating Suggestion : A05 & A58 series.



POSITION	A	B	C	D
6	25.7	4.0	11.8	16.6
8	27.7	6.0	13.8	18.6
10	29.7	8.0	15.8	20.6
12	31.7	10.0	17.8	22.6
14	33.7	12.0	19.8	24.6
16	35.7	14.0	21.8	26.6
20	39.7	18.0	25.8	30.6
22	41.7	20.0	27.8	32.6
24	43.7	22.0	29.8	34.6
26	45.7	24.0	31.8	36.6
30	49.7	28.0	35.8	40.6
34	53.7	32.0	39.8	44.6
40	59.7	38.0	45.8	50.6
44	63.7	42.0	49.8	54.6
50	69.7	48.0	55.8	60.6
68	87.7	66.0	73.8	78.6

ACCESSORIES	X	Y
LONG LATCH	19.9	11.4
SHORT LATCH	16.9	8.7



RECOMMENDED P.C.B LAYOUT

HOW TO ORDER:

C05a - 1 - 2 - 3 - 4 - 5 - G (RoHS)

1.NO. OF CONTACT	2.CONTACT MATERIAL	3.CONTACT PLATING	4.ACCESSORIES	5.INSULATOR COLOR
06 08 10 12 14 16 20 22 24 26 30 34 40 44 50 68	A: BRASS	T: TIN PLATED S: SELECTIVE G: GOLD FLASH A: 5u" INCH GOLD B: 10u" INCH GOLD C: 15u" INCH GOLD D: 30u" INCH GOLD	A: LONG LATCH B: SHORT LATCH	1. BLACK