

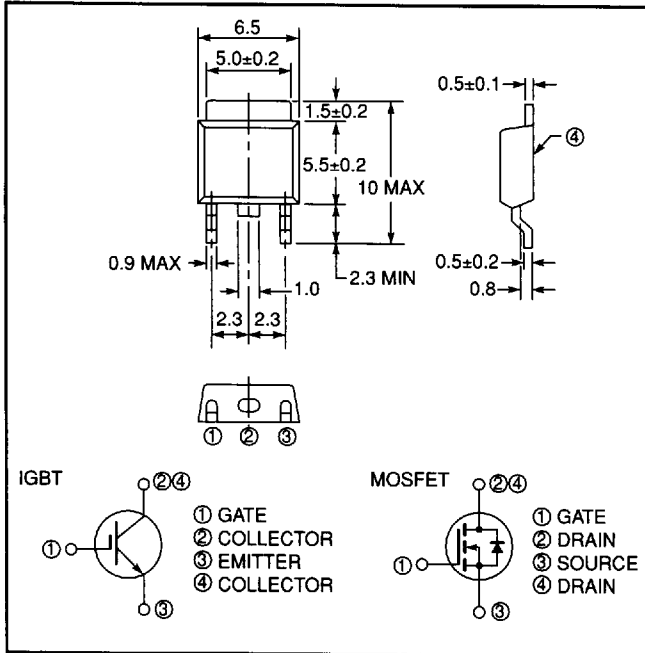


Discrete MOSFET - Low Voltage Trench Gate
2.5V Driver Voltage n-channel MOSFETs

Device Number	Maximum Ratings, T _c = 25°C				Electrical Characteristics				Package	
	V _{DSS} (V)	I _D (A)	P _D (W)	V _{GSS} (V)	r _{DS(on)} (mΩ)		V _{GS(th)} (V)	C _{iss} (pF)		
					Typ.	Max.			Outline	Page
FS10ASH-03	30	30	20	±10	68	92	0.8	540	MP-3	31
FS10UMH-03	30	30	20	±10	68	92	0.8	540	TO-220	31
FS10VSH-03	30	30	20	±10	68	92	0.8	540	TO-220S	31
FS10KMH-03	30	30	15	±10	68	92	0.8	540	TO-220FN	31
FS30ASH-03	30	50	30	±10	34	46	0.8	1150	MP-3	31
FS30UMH-03	30	50	30	±10	34	46	0.8	1150	TO-220	31
FS30VSH-03	30	50	30	±10	34	46	0.8	1150	TO-220S	31
FS30KMH-03	30	50	20	±10	34	46	0.8	1150	TO-220FN	31
FS30SMH-03	30	50	30	±10	34	46	0.8	1150	TO-3P	32
FS50ASH-03	30	50	35	±10	17	22	0.8	2300	MP-3	31
FS50UMH-03	30	50	45	±10	17	22	0.8	2300	TO-220	31
FS50VSH-03	30	50	45	±10	17	22	0.8	2300	TO-220S	31
FS50KMH-03	30	50	25	±10	17	22	0.8	2300	TO-220FN	31
FS50SMH-03	30	50	45	±10	17	22	0.8	2300	TO-3P	32
FS70UMH-03	30	70	70	±10	10	14	0.8	4000	TO-220	31
FS70VSH-03	30	70	70	±10	10	14	0.8	4000	TO-220S	31
FS70KMH-03	30	70	30	±10	10	14	0.8	4000	TO-220FN	31
FS70SMH-03	30	70	70	±10	10	14	0.8	4000	TO-3P	32
FS100UMH-03	30	100	125	±10	3.8	5.4	0.8	11000	TO-220	31
FS100VSH-03	30	100	125	±10	3.8	5.4	0.8	11000	TO-220S	31
FS100KMH-03	30	100	35	±10	3.8	5.4	0.8	11000	TO-220FN	31
FS100SMH-03	30	100	150	±10	3.8	5.4	0.8	11000	TO-3P	32
FS5ASH-06	60	5	20	±10	112	150	0.8	540	MP-3	31
FS5UMH-06	60	5	20	±10	112	150	0.8	540	TO-220	31
FS5VSH-06	60	5	20	±10	112	150	0.8	540	TO-220S	31
FS5KMH-06	60	5	15	±10	112	150	0.8	540	TO-220FN	31
FS10ASH-06	60	10	30	±10	54	73	0.8	1150	MP-3	31
FS10UMH-06	60	10	30	±10	54	73	0.8	1150	TO-220	31
FS10VSH-06	60	10	30	±10	54	73	0.8	1150	TO-220S	31
FS10KMH-06	60	10	20	±10	54	73	0.8	1150	TO-220FN	31
FS10SMH-06	60	10	30	±10	54	73	0.8	1150	TO-3P	32
FS30ASH-06	60	30	35	±10	25	30	0.8	2000	MP-3	31
FS30UMH-06	60	30	45	±10	25	30	0.8	2000	TO-220	31
FS30VSH-06	60	30	45	±10	25	30	0.8	2000	TO-220S	31
FS30KMH-06	60	30	25	±10	25	30	0.8	2000	TO-220FN	31
FS30SMH-06	60	30	45	±10	25	30	0.8	2000	TO-3P	32
FS50UMH-06	60	50	70	±10	15	21	0.8	4000	TO-220	31
FS50VSH-06	60	50	70	±10	15	21	0.8	4000	TO-220S	31
FS50KMH-06	60	50	30	±10	15	21	0.8	4000	TO-220FN	31
FS50SMH-06	60	50	70	±10	15	21	0.8	4000	TO-3P	32
FS70UMH-06	60	70	125	±10	5.5	7.5	0.8	11000	TO-220	31
FS70VSH-06	60	70	125	±10	5.5	7.5	0.8	11000	TO-220S	31
FS70KMH-06	60	70	35	±10	5.5	7.5	0.8	11000	TO-220FN	31
FS70SMH-06	60	70	150	±10	5.5	7.5	0.8	11000	TO-3P	32

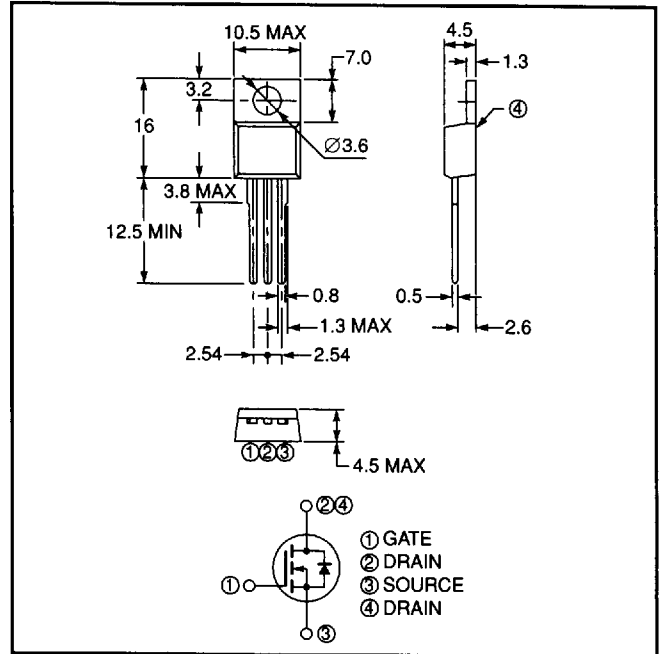
r_{DS(on)} (mΩ) - shows maximum value of on-resistance at V_{GS} = 4V

MP-3



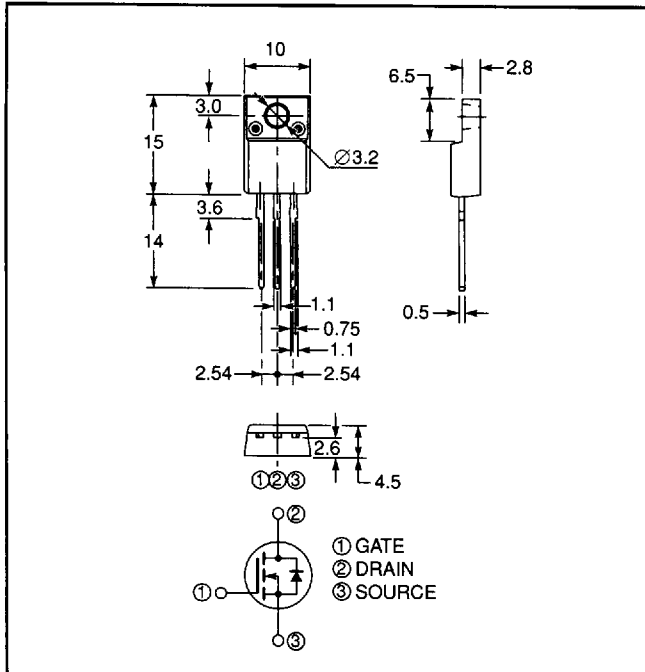
IGBT CT**AS-8
MOSFET FS**AS-8

TO-220



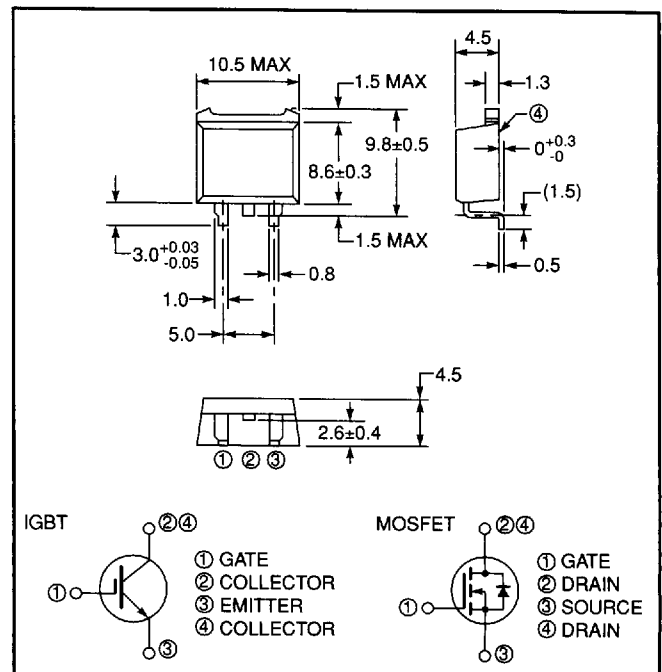
MOSFET FK**UM-**, FS**UM-**

TO-220FN



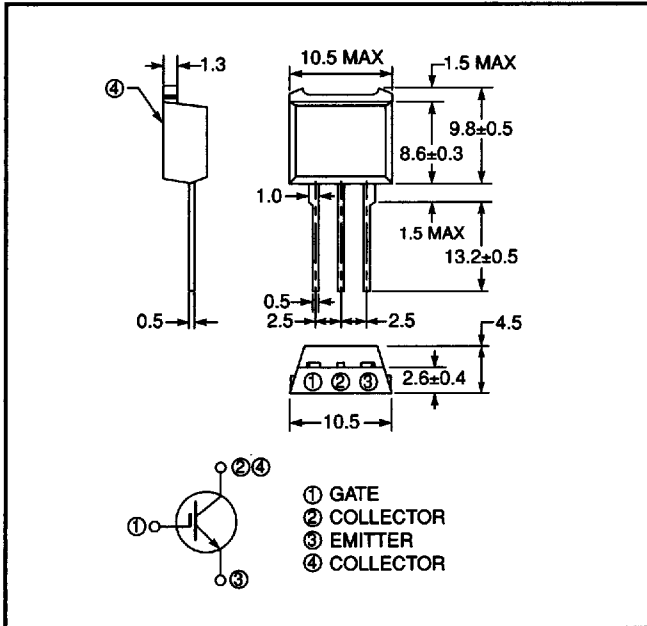
MOSFET FK**KM-**, FS**KM-**

TO-220S



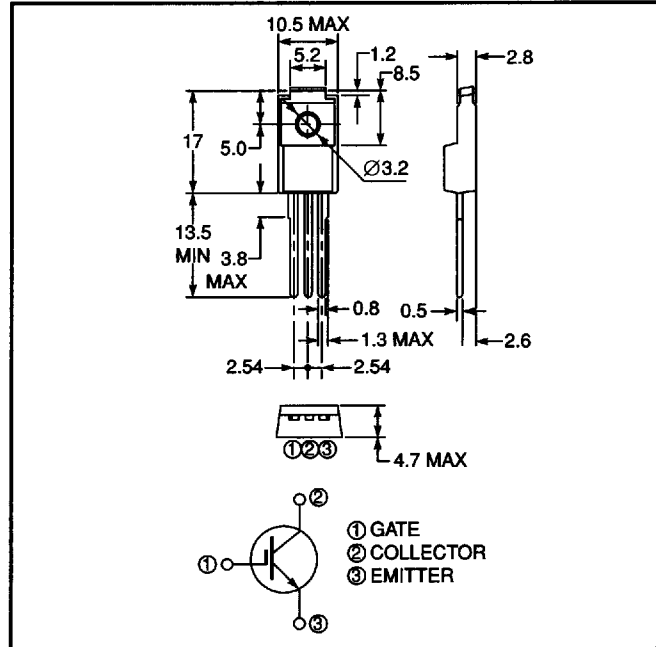
IGBT CT**VS-8
MOSFET FK**VS-**, FS**VS-**

TO-220C



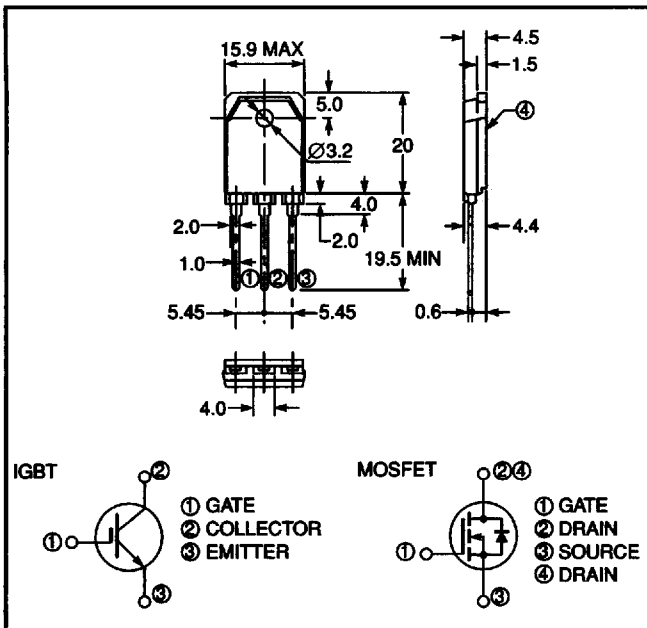
IGBT CT**VM-8

TO-220F



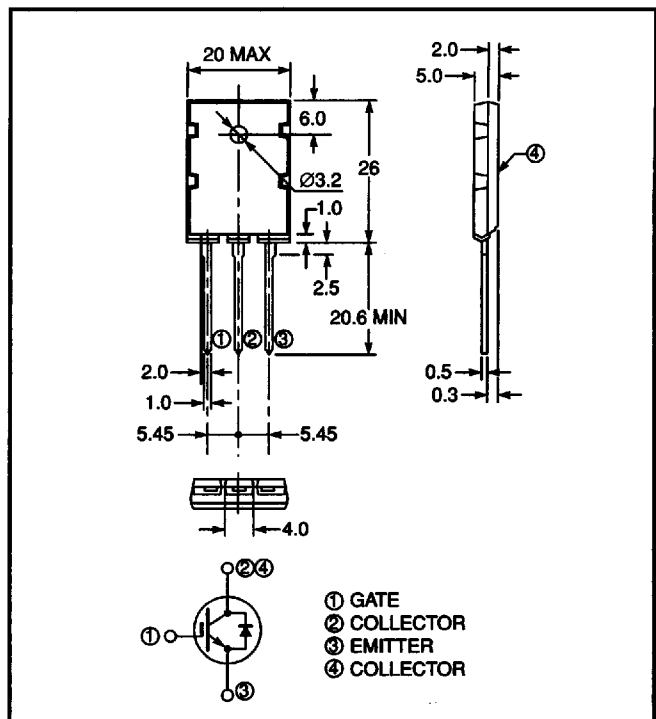
IGBT CT**TM-**

TO-3P



IGBT CT**SM-8
 MOSFET FK**SM-**, FS**SM-**

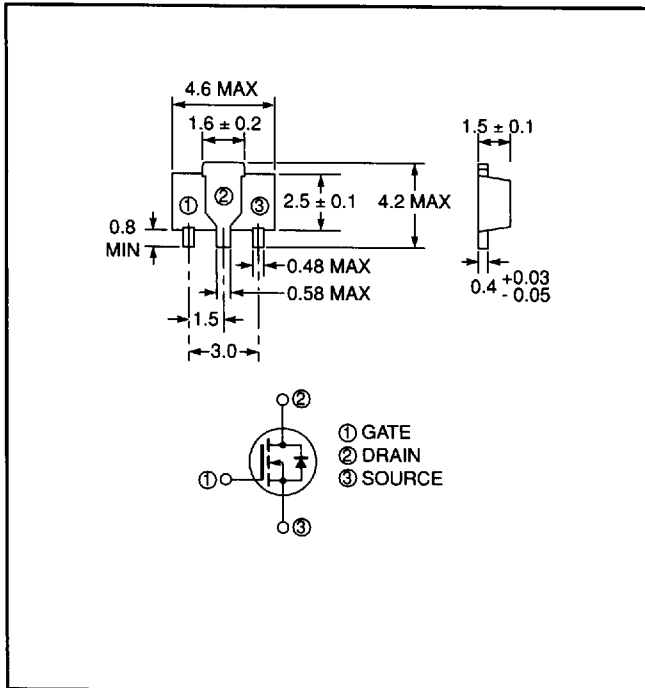
TO-3PL



IGBT CT**AM-**

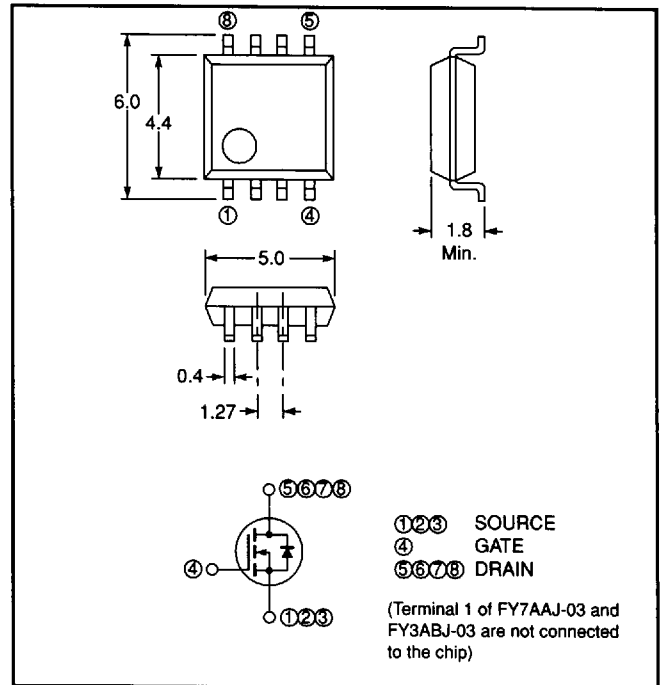
Device Outline Drawings

SOT-89



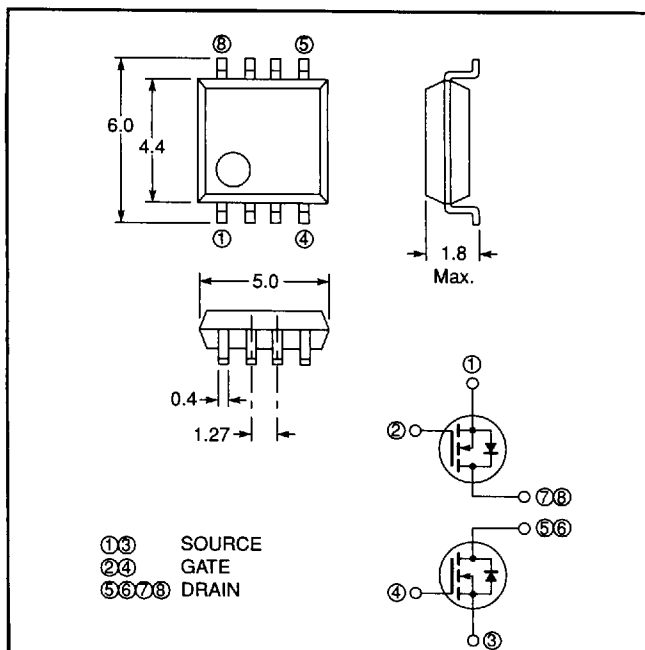
MOSFET FS**, FX**

SOP-8 (Single)



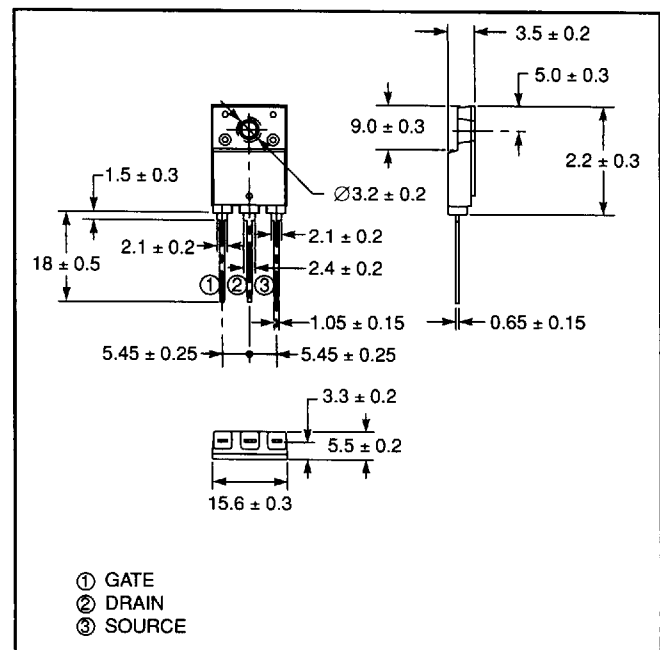
MOSFET FY**

SOP-8 (Dual)



MOSFET FY**

TO-3PF



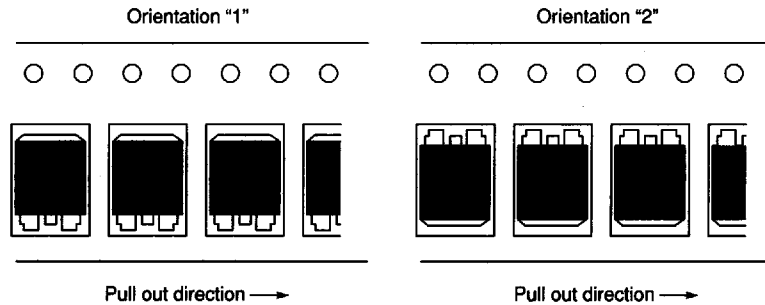
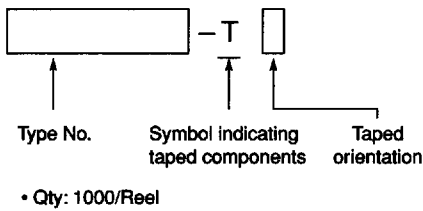
MOSFET FS**RM-**

MOSFET Packing Quantities and Types

Package	Outline Code	Packing	Minimum Quantity per Package
TO-220	UM	Bag	100
TO-220FN	KM	Tube	50
TO-220S	VS	Bag	100
TO-220S	VS	Reel	1000
TO-3P	SM	Bag	20
MP-3	AS	Bag	500
MP-3	AS	Reel	3000
SOP-8	FY	Reel	3000

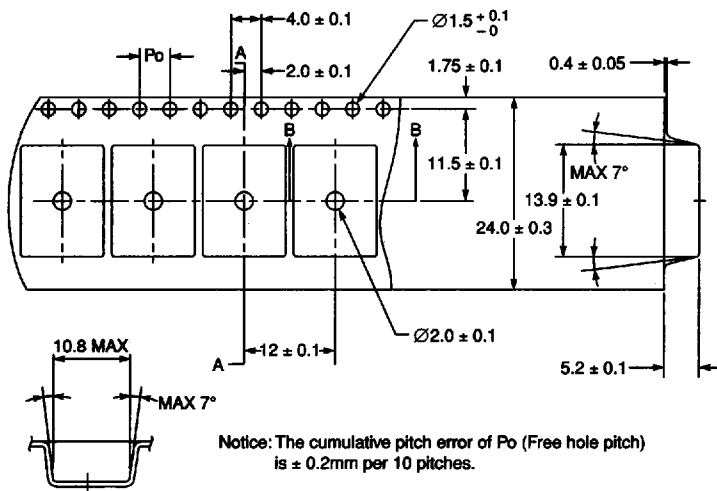
TO-220S Taping

(a) Marking

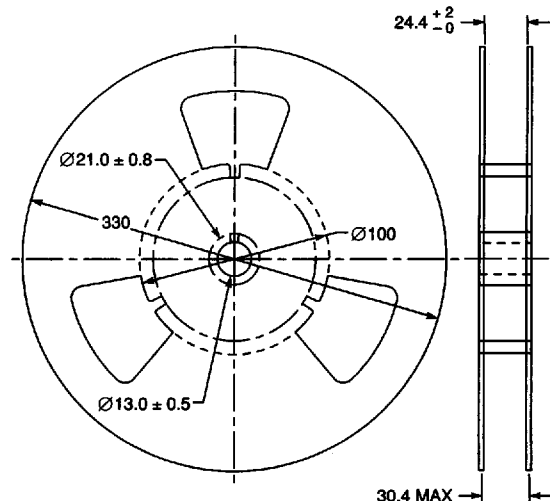


(b) Taping

• Tape Shape and Dimensions

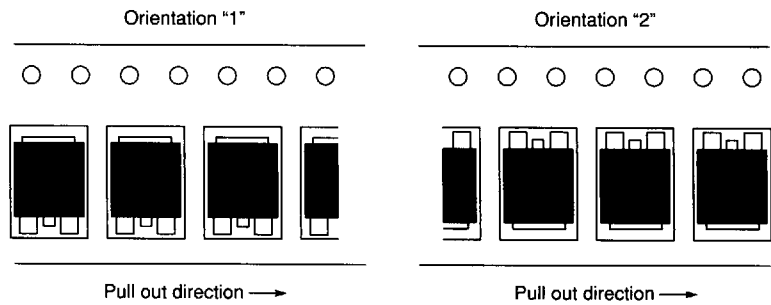
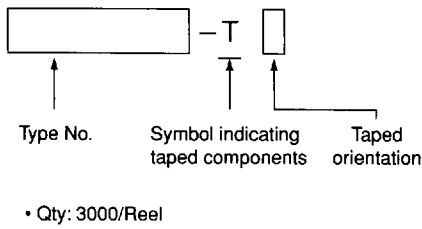


• Reel Shape and Dimensions



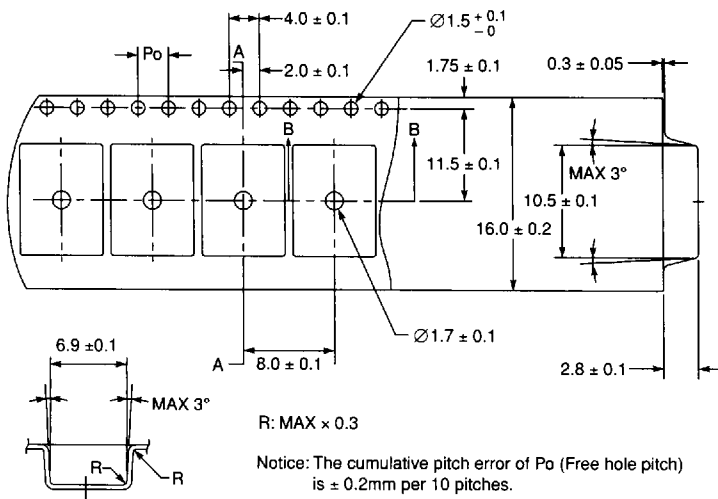
MP-3 Taping

(a) Marking

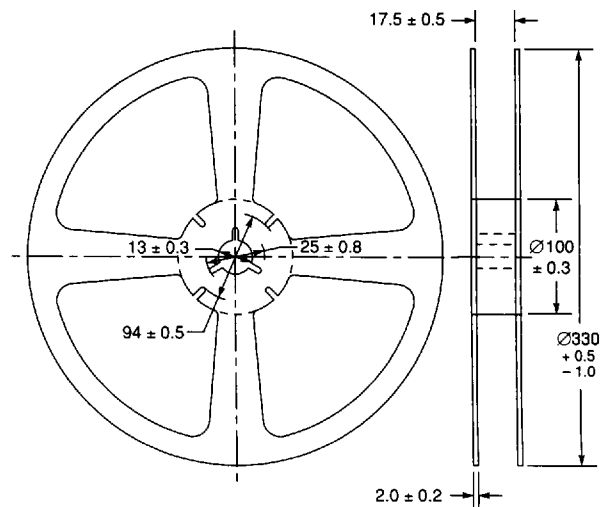


(b) Taping

• Tape Shape and Dimensions

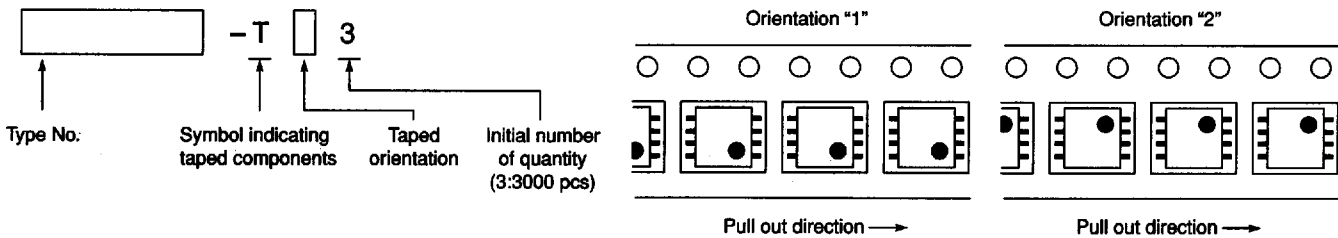


• Reel Shape and Dimensions



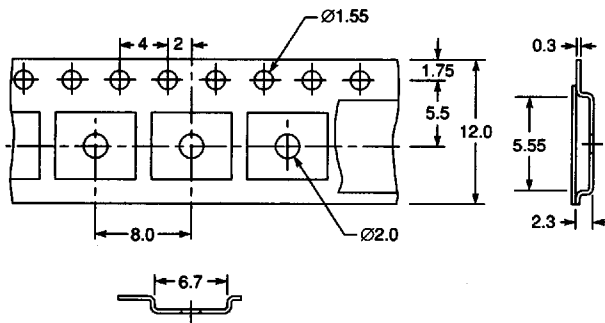
SOP-8 Taping

(a) Marking

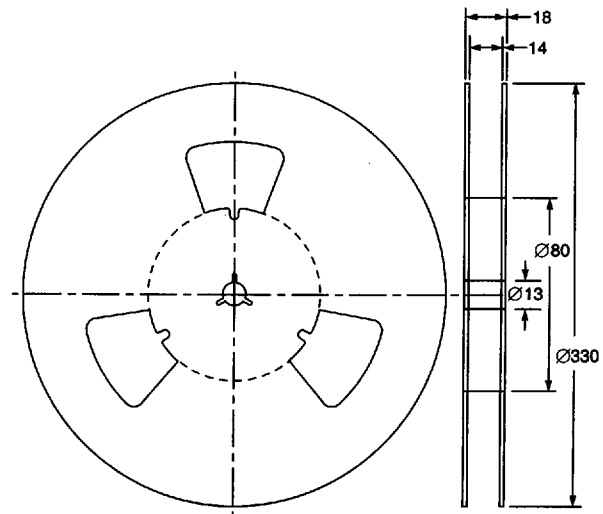


(b) Taping

- Tape Shape and Dimensions

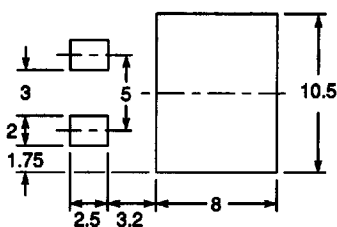


- Reel Shape and Dimensions

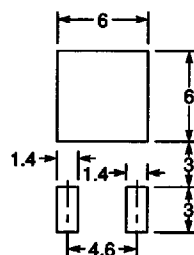


Recommended Mounting Pad

TO-220S Package



MP-3 Package



SOP-8 Package

