

PRODUCT NUMBER  
10075025-XXX-XXXLF

PLATING

S = 0.38µm GOLD/GXT ON CONTACT AREA  
2µm MIN MATTE TIN ON TAIL

G = 0.76µm GOLD/GXT ON CONTACT AREA  
2µm MIN MATTE TIN ON TAIL

F = GOLD FLASH ON CONTACT AREA  
2µm MIN MATTE TIN ON TAIL

1.27µm MIN NICKEL UNDERPLATING

PIN STYLE	TAIL LENGTH	MISSING PIN POSITION
01	2.00	
02	2.50	
03	2.00	A01

LEAD FREE  
RoHS COMPATIBLE  
NOTE 7

PACKAGING  
NOTE 5

TOTAL NUMBER OF  
POSITIONS 04 TO 50

NOTES:

- MATERIAL HOUSING: HIGH TEMP. THERMOPLASTIC UL 94V-0, COLOR NATURAL
- MATERIAL TERMINAL: COPPER ALLOY
- TO DETERMINE DIMENSIONS:  
N = NUMBER OF POSITIONS PER ROW
- 7N MIN. PIN RETENTION IN EITHER DIRECTION.
- PACKAGING:  
= STANDARD PACKAGING IN POLYBAG  
U = TUBE AVAILABLE FROM 03 TO 25 POS PER ROW  
A = TAPE & REEL WITH PICK UP CAP, AS AVAILABLE.
- POLARIZATION :  
- SEE TABLE FOR AVAILABILITY  
- FOR NEW REQUEST, PLEASE TO CONTACT FCJ

7. RoHS COMPATIBLE PRODUCT SPECIFICATIONS

a - PLATING:

- "LF" MEANS THE PRODUCT IS LEAD-FREE, 2µm MINIMUM MATTE TIN OVER 1.27µm MINIMUM NICKEL UNDERPLATE.

b - MANUFACTURING PROCESS COMPATIBILITY

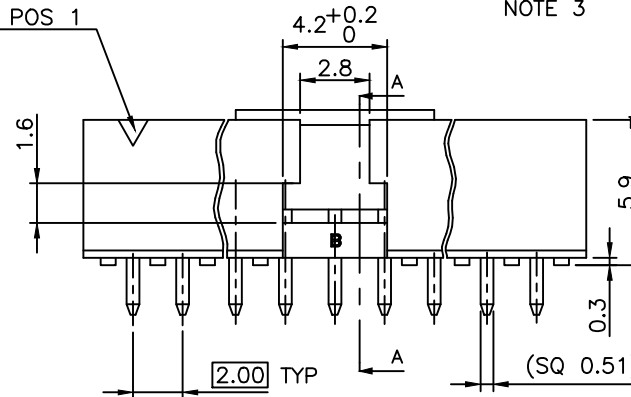
- THE HOUSING WILL WITHSTAND EXPOSURE TO 260°C PEAK TEMPERATURE FOR 30 SECONDS MAX IN A CONVECTION, INFRA-RED, OR VAPOR PHASE OR REFLOW OVEN

c - LABELLING:

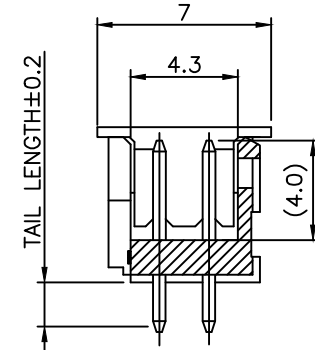
- MEETS PACKAGING SPECS AS PER GS-14-920

d - LEGAL STATEMENT: SEE GS-47-0004

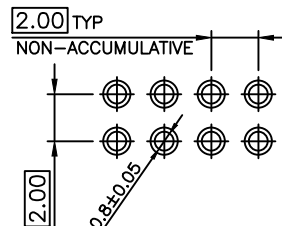
INDICATES POS 1



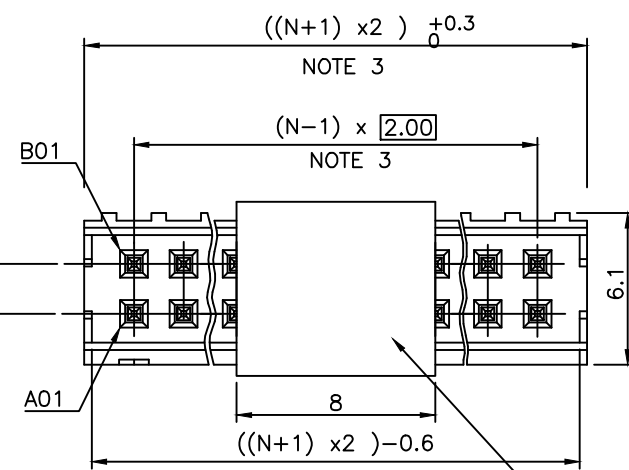
OPTIONAL PICK UP CAP



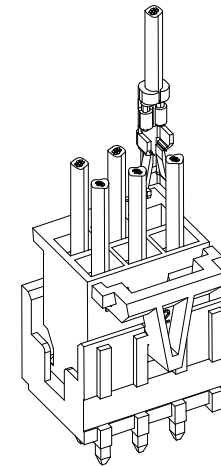
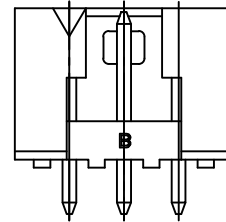
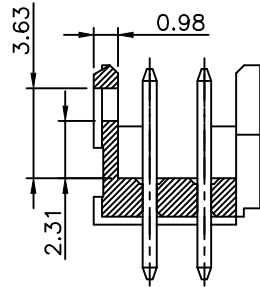
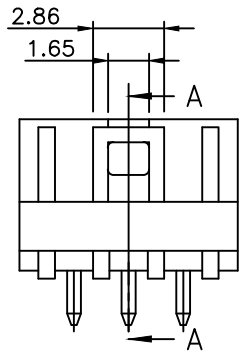
SECTION A-A



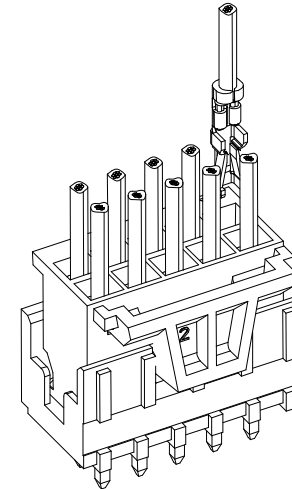
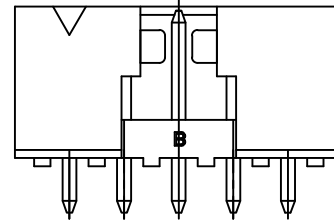
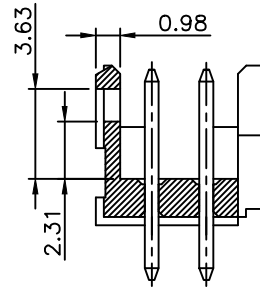
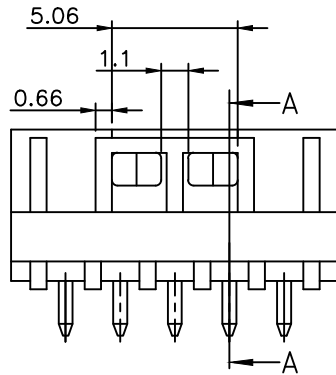
RECOMMENDED 1.6mm THICK PCB LAYOUT  
STENCIL DESIGN RECOMMENDATIONS  
AS PER TA-896



mat'l. code				surface ISO 1302 ✓		tolerance ISO 406 ISO 1101		projection		product family MINITEK			
ltr ecn no dr date				tolerances unless otherwise specified				mm		title			
R F-23051 AMA 16.01.15				angles		.x ±0.3 .xx ±0.15		mm		UNSHR.HEADER			
K B-19797 AMA 14.12.16				linear		.xxx ±0.05		scale 5:1		2.00 mm VERTICAL PIP			
L B-20024 BVE 15.01.20				dr		L MULIN 07.01.04		FCJ		dwg no sheet 1 of 2 size			
M B-20079 AMA 15.01.23				engr		J.COMPAGNON 07.01.04				10075025 A3			
N B-20254 LMU 15.02.16				chr						type CUSTOMER Drawing			
P B-21209 AMA 15.06.22				appd		JM.C 07.01.04							
sheet		revision		R		B							
index		sheet		1		2							



2x3 POS AND 2x4 POS CONFIGURATION  
NO LATCHING AVAILABLE FOR 2x2 POS



2x5 POS UP TO 2x25 POS CONFIGURATION

LATCHING FEATURES WHEN USED IN COMBINATION  
WITH ACTIVE LATCH HOUSING 10073599

mat'l. code		surface		tolerance		projection		product family										
		ISO 1302		ISO 406 ISO 1101				MINITEK										
ltr		ecn no		date		tolerances unless otherwise specified		title										
A		F06-0113		LMU 08.01.07		<table border="1"> <tr> <td>angles</td> <td>linear</td> <td>.x ±0.3</td> </tr> <tr> <td></td> <td></td> <td>.xx ±0.15</td> </tr> <tr> <td></td> <td></td> <td>.xxx ±0.05</td> </tr> </table>		angles	linear	.x ±0.3			.xx ±0.15			.xxx ±0.05	UNSHR.HEADER	
angles	linear	.x ±0.3																
		.xx ±0.15																
		.xxx ±0.05																
B		B-17556		JCO 14.04.23				2.00 mm VERTICAL PIP										
				dr		L MULIN 07.12.04		dwg no										
				enr		J.COMPAGNON 07.12.04		sheet 2 of 2										
				chr				size										
				appd		JM.C 07.12.04		10075025 A3										
sheet		revision						type										
index		sheet						CUSTOMER Drawing										



Copyright FCI