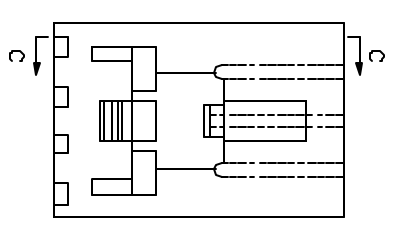
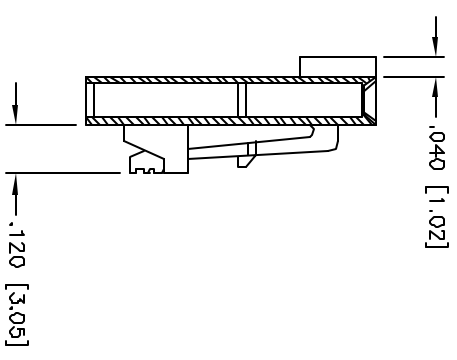
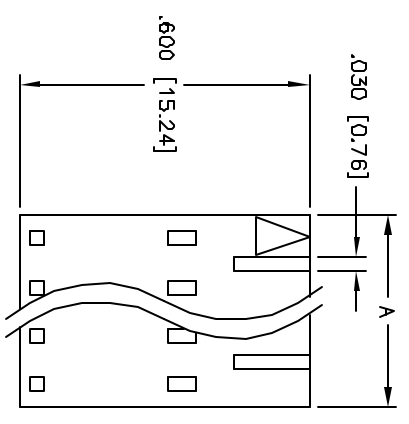
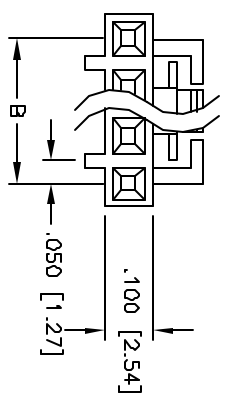


Rev	AWO #	Description	Date	Appr
-		RELEASED	4/7/05	

APPROVED: \_\_\_\_\_  
 DATE: \_\_\_\_\_ TITLE: \_\_\_\_\_



Positions: 2 thru 12  
 A = .100 [2.54] x No. of Positions  
 B = .100 [2.54] x No. of Spaces

**SPECIFICATIONS:**

**Material:**  
 Insulator: PBT, glass reinforced, rated UL 94V-0  
 Insulator color: Black

**Electrical:**  
 Operating voltage: 250 VAC max  
 Current rating: 2.5 Amps max  
 Insulation resistance: 1,000 Mohms min @ 500 VDC  
 Dielectric withstanding voltage: 500 VAC for 1 minute

**Temperature Rating:**  
 Operating temperature: -25°C to +85°C

**Environmental:**  
 Lead free, RoHS compliant



UNLESS OTHERWISE SPECIFIED ALL DIMENSIONS ARE INCHES [MM] TOLERANCES: EXCEPT AS NOTED		INCHES: .10 ±.010 .XX ±.020 .XXX ±.015		HOLES: ØXX ±.010 ØXXX ±.010	
APPROVALS		DATE		TITLE	
DRAWN	SS	4/7/05		.100 [2.54] LATCHING HOUSING WITH LATCH	
CHECKED				909 Rahway Avenue, Union, NJ 07083 Phone: 908-687-5000 Fax: 908-687-5710	
APPROVED				SIZE PART NO. CDH-XX-L SCALE: NTS SHEET 1 OF 1	

6 5 4 3 2 1