

SPECIFICATIONS

Mechanical

Contact Retention Force: 1.0Kg min.

Electrical

Voltage Rating: 750V

Current Rating: 1A

Contact Resistance: 45mΩ max.

Dielectrical Withstanding Voltage: 1000V

Insulation Resistance: 1000MΩ min.

Physical

Housing: LCP, UL 94-0 rated, Ivory White

Contact: Phosphor Bronze

Plating: See "ORDERING INFORMATION"

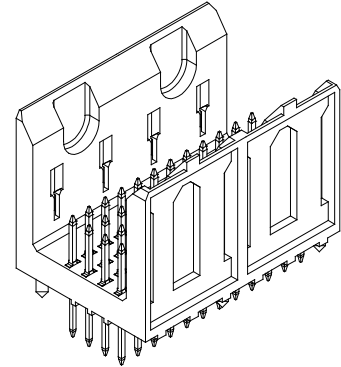
FUTURE BUS CONNECTOR

1F Series

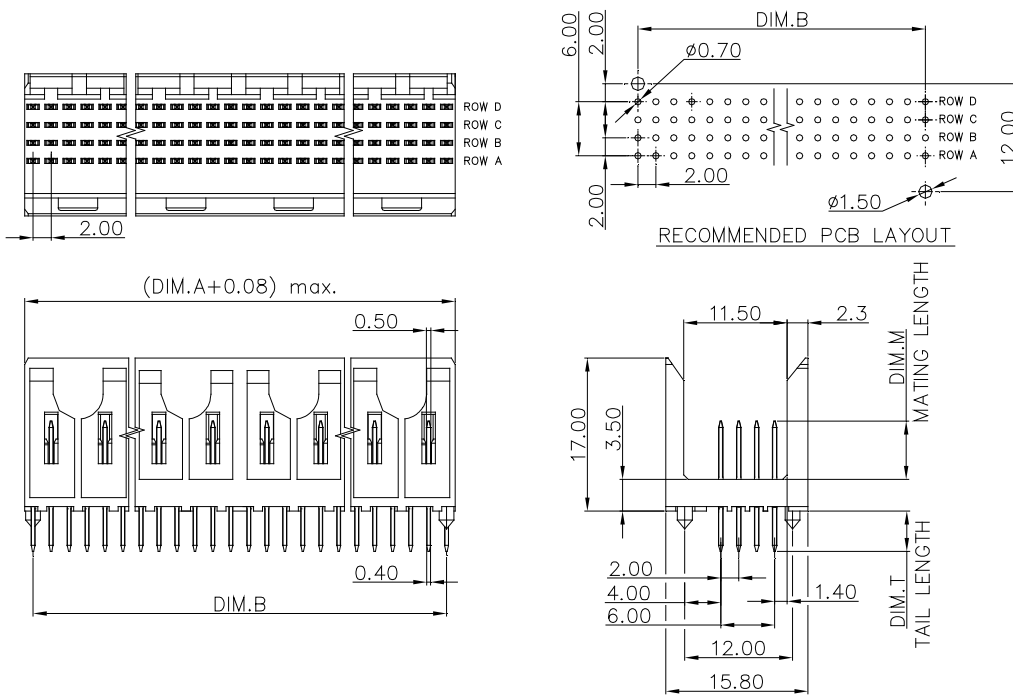
Header Solder Type

2.0mm Pitch

4 Rows



DRAWING



ORDERING INFORMATION

PRODUCT NO.: 1 F 1 1 * * * * - S * * 4

POS. NO.:
 024=024 pos.
 048=048 pos.
 072=072 pos.
 096=096 pos.
 120=120 pos.
 192=192 pos.
 Mating Area Plating:
 1=GOLD FLASH
 3=0.76um(30u")MIN. GOLD PLATING
 5=1.27um(50u")MIN. GOLD PLATING
 6=0.25um(10u")MIN. GOLD PLATING
 A=0.76um(30u")MIN. FPT PLATING,
 0.25um(10u")MIN. GOLD INCLUDED

Body Style
 Mating Length(DIM.M)
 1=5.00 mm
 2=5.75 mm
 3=6.50 mm
 4=7.25 mm
 5=8.00 mm
 Tail Length(DIM.T)
 4=2.65mm
 5=3.45mm
 Tail Style:
 S=Solder Type

1F11024*-S**4	24	11.90	10.00
1F11048*-S**4	48	23.90	22.00
1F11072*-S**4	72	35.90	34.00
1F11096*-S**4	96	47.90	46.00
1F11120*-S**4	120	59.90	58.00
1F11192*-S**4	192	95.90	94.00
P/N	POS.	DIM. A	DIM. B