

SINGLE ROW CRIMP CONNECTOR HOUSING



3940 SERIES. 3.96 mm (0.156") pitch.

General Features

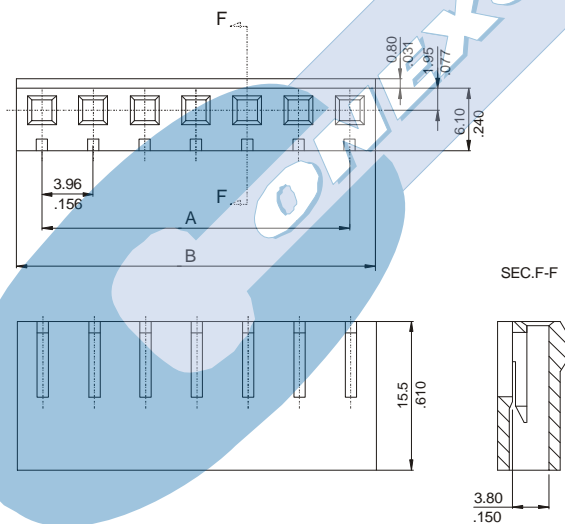
- Available in 2, through 20 circuits
- Mates with 3.96 mm pitch 3963, 3966 and 3968 headers and 1,14 mm square/round pin headers 3917, 3918, 3919, 3920, 3986, 3987 and 3988 Series
- Polarised with locking ramp
- Use crimp terminal 3979 and 3932

Materials

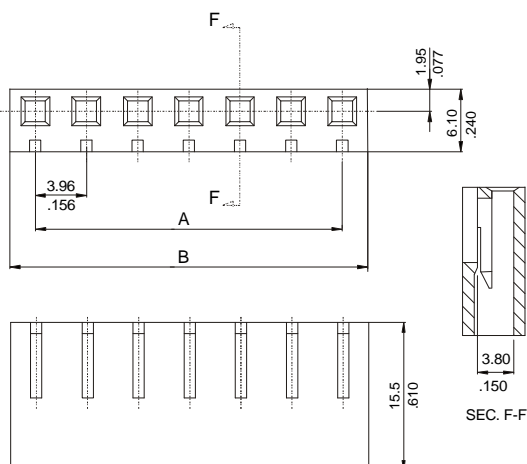
- Insulator: Nylon 66 UL 94 V-0
- Optional: GWT compliant *
- Operating temperature: -40°C to +105°C
- RoHS compliant

Dimension Information

With locking ramp:



Without locking ramp:

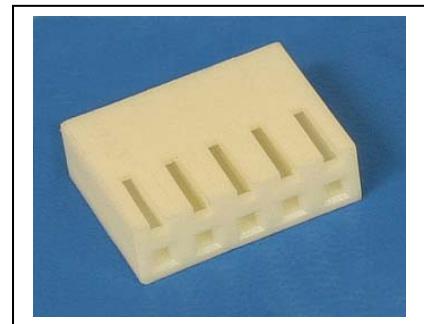


Electrical Features

- Voltage rating: < 250V
- Current rating: < 5 A
- Contact resistance: < 20 mΩ
- Dielectric withstanding voltage: 1500 V AC/minute
- Insulation resistance: >1000 MΩ

Mechanical Features

- Contact retention force to the housing: > 2.00 Kgf
- Insertion force to header: < 2.00 Kgf/pin
- Withdrawal force from header: < 0.50 Kgf/pin
- Durability: 25 cycles



Ordering Information:

3940 - P- XX- 1*
 1 2 3

1. Connector Series

2. (P) Polarising options

- P = 1. With locking ramp
- P = 2. Without locking ramp

3. (XX) Number of circuits

- Available in 2 through 20 circuits

* GWT Options

- For GWT options add E at the end of part number

Dimensions: (In mm.)

A = 3.96 x (XX*-1)

B = 3.96 x (XX)+0.58

* XX (Number of circuits)