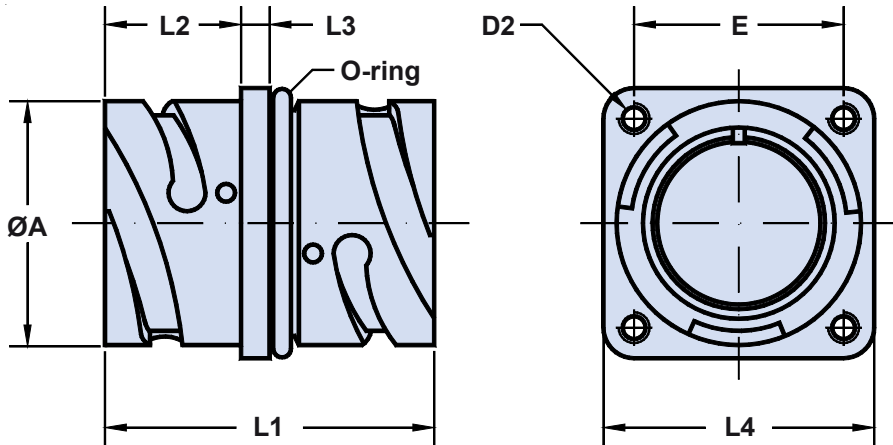
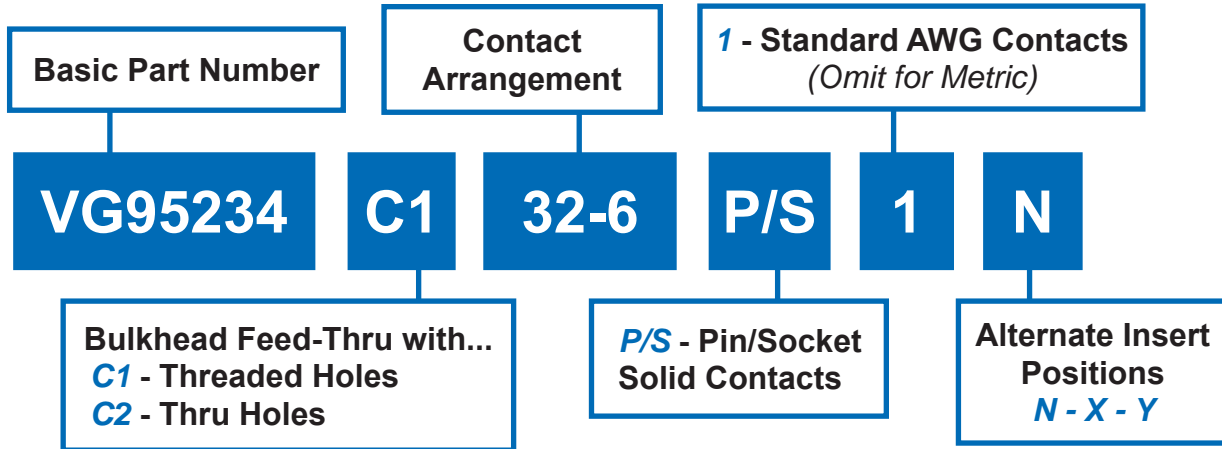


VG95234 C1 and VG95234 C2
Bulkhead Feed-Thru Receptacle
with Threaded (C1) and Thru-Holes (C2)



APPLICATION NOTES

1. Bulkhead feed-thru receptacle with threaded or through mounting holes.
2. Solid contact material consists of copper alloy with silver plating. Please see pages 16-17 for additional contact information.
3. Insert arrangements IAW VG95234. Please see pages 10-15.
4. Standard insert is synthetic rubber, oil and low temperature resistant (-55°C to +125°C) IAW MIL-R-3065.
5. Stainless steel and marine bronze shells are available in Series ITS products. Please consult factory.
6. All dimensions are metric unless otherwise noted.

**VG95234 C1 and VG95234 C2
Bulkhead Feed-Thru Receptacle
with Threaded (C1) and Thru-Holes (C2)**



DIMENSIONS									
Shell Size	ØA +0 -0.15	D2		E ±0.1	L1 ±0.3	L2 +0.4 -0	L3 ±0.2	L4 ±0.3	Weight gr. Max
		B1	B2 H13						
10 SL	18.2	M4	3.2	18.2	37.5	14.2	2.8	25.4	17
14 S	24.6	M4	3.2	23.0	37.5	14.2	3.2	30.0	29
16 S	27.4	M4	3.2	24.6	37.5	14.2	3.2	32.5	34
16	27.4	M4	3.2	24.6	51.4	19.0	3.2	32.5	41
18	30.8	M4	3.2	27.0	51.4	19.0	4.0	35.0	49
20	34.2	M4	3.2	29.4	51.4	19.0	4.0	38.0	56
22	37.4	M4	3.2	31.8	51.4	19.0	4.0	41.0	61
24	40.9	M4	3.7	35.9	51.4	20.6	4.0	44.5	65
28	46.7	M5	3.7	39.7	51.4	20.6	4.0	50.8	76
32	53.4	M5	4.3	44.5	51.4	22.2	4.0	57.0	92
36	59.6	M5	4.3	49.2	51.4	22.2	4.0	63.5	103

MATERIALS	
SHELLS	INSERTS (Temperature Range)
Aluminum Alloy IAW QQ-A-591 Shells	High Insulation Synthetic Rubber -55°C/+125°C
	CRIMP CONTACTS
	Copper Alloy with Silver Plating Over Nickel

STANDARD FINISH (For QQ-A-591 Aluminum Shells)	
Requirements	Cadmium with Olive Drab Passivation IAW QQ-P-416
Thermal Shock	-55°C + 125°C
Salt Spray After Thermal Shock	500 hour
Electrical Conductivity	Very Good
Abrasion Resistance	Very Good