

2.54mm (0.1") Elevated Female Header (Single Row)

2711 Series

APPLICATION AND FEATURES

1. Different foot length for customer design choice.
2. Available with square tail.
3. Mate with pin Header stick.

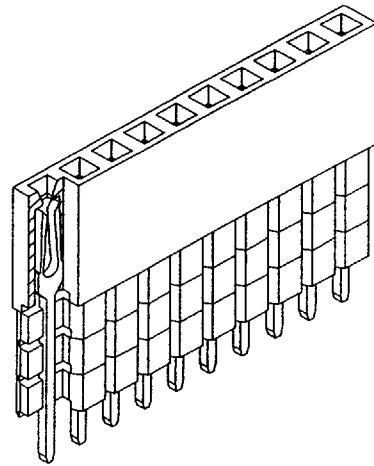
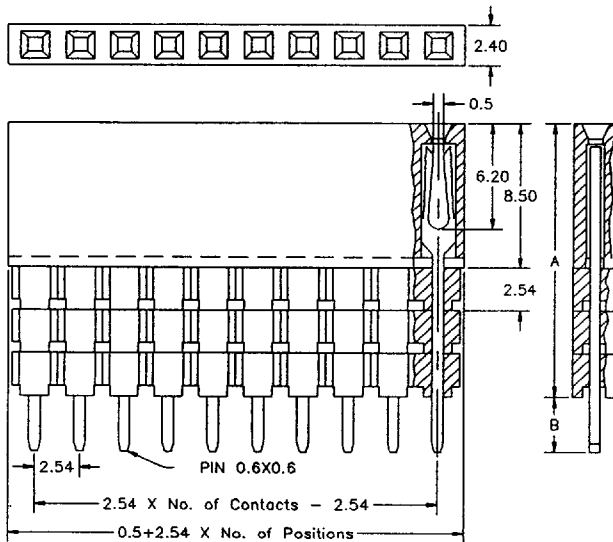
Finish: Tin, Gold or Selective gold

© Note:

Selective gold: gold plated on contact area,
Tin on solder area

SPECIFICATIONS

Current Rating: 3 Amps
 Insulator resistance: 1000 Megohms Min.
 Contact resistance: 20 Megohms Max.
 Dielectric withstanding: AC 500 V
 Operating Temperature: -40° - +105°C
 Contact Material: Phosphor Bronze
 Insulator Material: Polyester, UL 94V-0
 ©Standard: P.B.T



Order Information 2711 Series

Example: 2711-40-02-1W

| Series No. | Number of Contacts | Contact Plating |
|------------|--------------------|-----------------|
| 2711 | 03 to 40 Contacts | Tin Plated 01 |
| | | Gold Plated |
| | | Flash 02 |
| | | 10 μ" 10 |
| | | 30 μ" 30 |

| | A | B |
|----|-------|------|
| 1W | 11.05 | 2.30 |

| | A | B |
|----|-------|------|
| 1Y | 11.05 | 7.35 |
| 2Y | 13.59 | 4.85 |
| 3Y | 16.13 | 2.30 |

| | A | B |
|----|-------|------|
| 1Z | 11.05 | 12.2 |
| 2Z | 13.59 | 9.65 |
| 3Z | 16.13 | 7.10 |
| 4Z | 18.67 | 4.60 |

©Optional dimension upon request.

SINGATRON ENT. CO., LTD. Tel.: (909) 464-1883 Fax.: (909) 464-1884

9011184 0000104 417