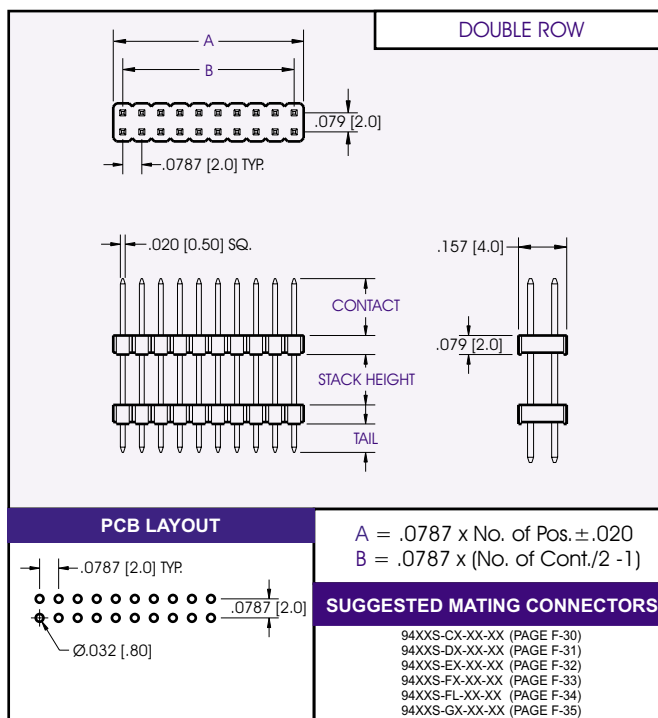
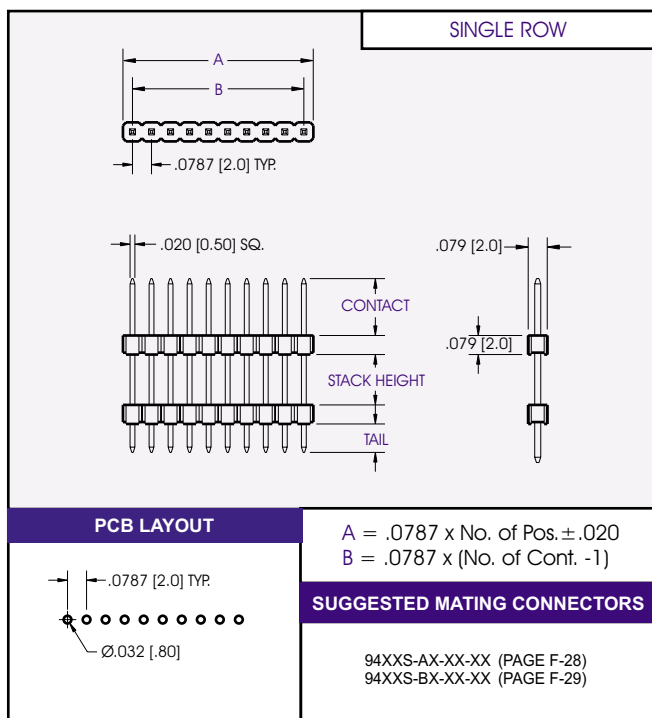
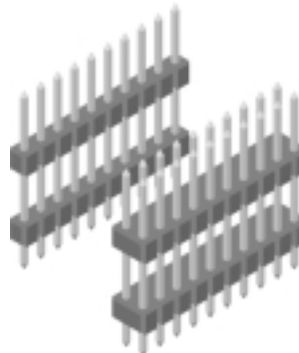




9400 Series Headers .079 [2.00] Stacking Headers

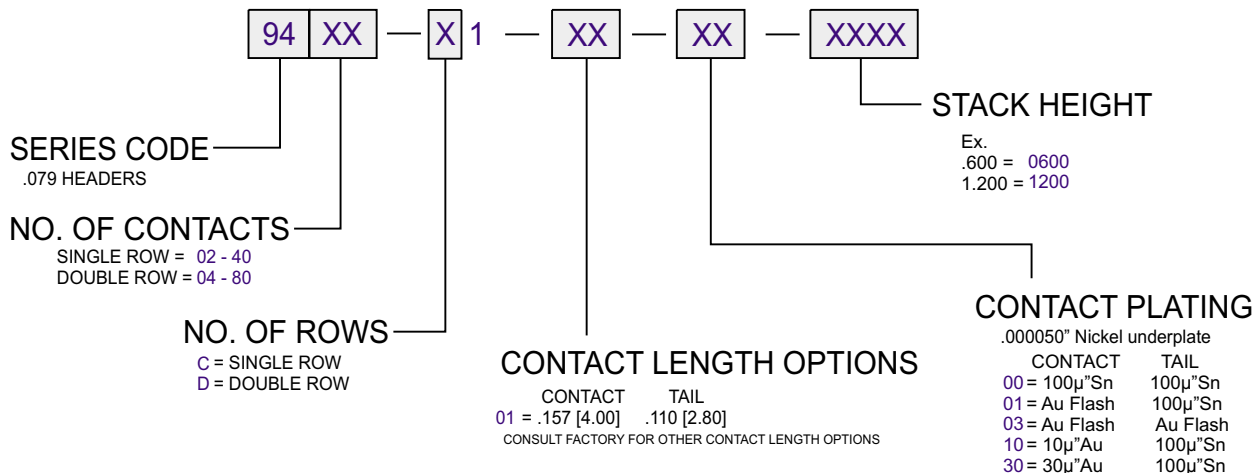
Specifications

Insulator Material: Glass filled polyester, Type PBT, 94V-O, UL Recognized.
 Contact Material: Copper Alloy
 Contact Plating: Gold and/or Tin over .000050" Ni (See contact plating options)
 Insulation Resistance: 5000 M ohms min.
 Dielectric Withstand Voltage: 500 VAC
 Current Rating: 1 AMP
 Contact Resistance: 20 m ohms max
 Operating Temperature: -40°C To +105°C
 UL File Numbers: E146967 & E176234



DIMENSIONS ARE IN INCHES & [MM]

PART NUMBERING



CONSULT FACTORY FOR CUSTOM CONNECTORS BUILT TO YOUR SPECIFICATION