

.100" (2.54mm) 2540 SERIES CRIMP TERMINAL HOUSING

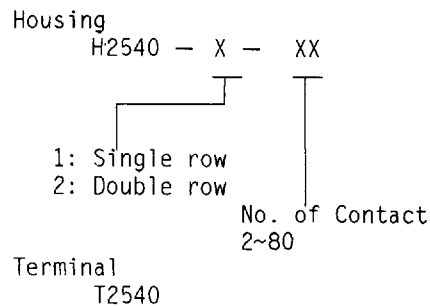
SPECIFICATION

- * Current Rating:
3 A
- * Withstanding Voltage:
1000 VAC (1 min.)
- * Insulation Resistance:
1000 MΩ min.
- * Contact Resistance:
20 mΩ max.
- * Operating Temperature:
-40°C to +85°C

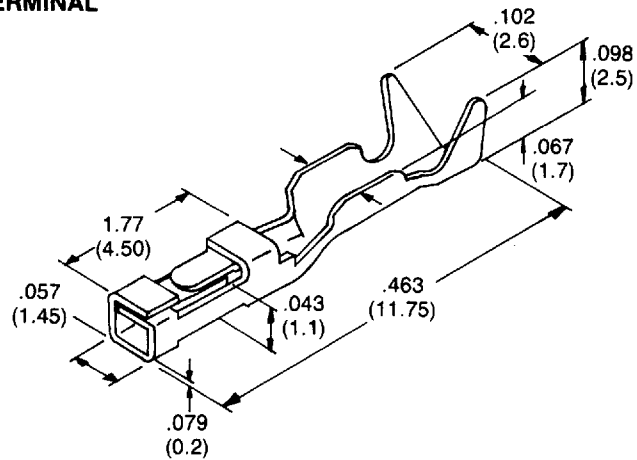
MATERIAL

- * Terminal: Phosphor Bronze,
Tin Plate
- * Housing: PBT & G. F.

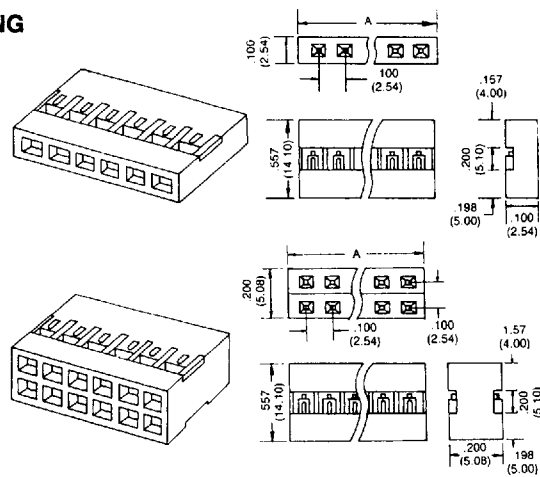
ORDER INFORMATION



TERMINAL



HOUSING



POS	A	POS	A
1	2.54	21	53.34
2	5.08	22	55.88
3	7.62	23	58.42
4	10.16	24	60.96
5	12.70	25	63.50
6	15.24	26	66.04
7	17.78	27	68.58
8	20.32	28	71.12
9	22.86	29	73.36
10	25.40	30	76.20
11	27.94	31	78.74
12	30.48	32	81.28
13	33.02	33	83.82
14	35.56	34	86.36
15	38.10	35	88.90
16	40.64	36	91.44
17	43.18	37	93.98
18	45.72	38	96.52
19	48.26	39	99.06
20	55.34	40	101.6

Specifications are subject to change without notice