

Technical Specifications

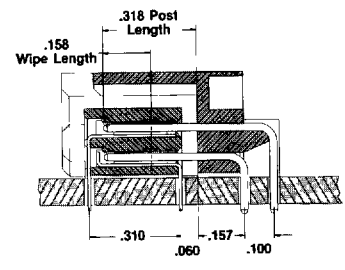
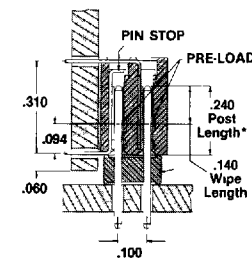
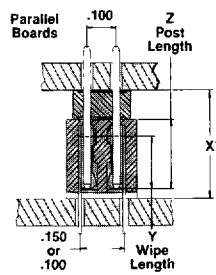
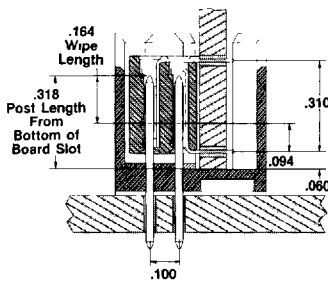
ELCO

Technical Data

Series
8251
8352
8275
8281
8381

Basic grid	100 (2.54) x 100 (2.54)
Insertion Force	1-6 oz per contact
Withdrawal force	75 oz min. per contact
Contact resistance	12 milliohms max. for gold plating
Current rating	3 amperes continuous current shall not cause a temperature rise greater than 30°C above ambient
Insulation resistance	5,000 megohms min. at 500 VDC
Dielectric withstanding voltage	1,000 VAC ms at sea level
Operating temperature	-55°C to +105°C
Insulator material	Thermoplastic polyester, 94 V-O, UL rated
Socket contact material	Phosphor bronze
Pin contact material	Phosphor bronze
Wrap post dimension	025 x 025
Push-out force of post in insulator	8251 - 3 lbs, 8352 - 2 lbs, Straight post headers - 3 lbs, Compliant post headers - 1 lb
Contact plating	Gold over nickel (see table this page) tin/lead

Design Aids



Max. Post Length .300
 Min. Recommended Post Length .170

STANDARD	X	Y	Z
265	365	.178	.240
.335	.435	.168	300

*This dimension can be accommodated to any size between 450 max. and 265 min. Tooling charges may apply. Consult factory for details.

Features
Pin Stop.
Preload - to reduce insertion force & to insure interface alignment

PLATING DESCRIPTION					
MATING AREA	30 Gold	15 Gold	30 Gold	15 Gold	100/200 Tin Lead
TAIL AREA	Flash	Flash	100/200 Tin Lead	100/200 Tin Lead	100/200 Tin Lead

U.L. Recognized

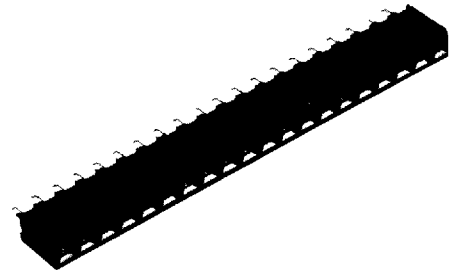
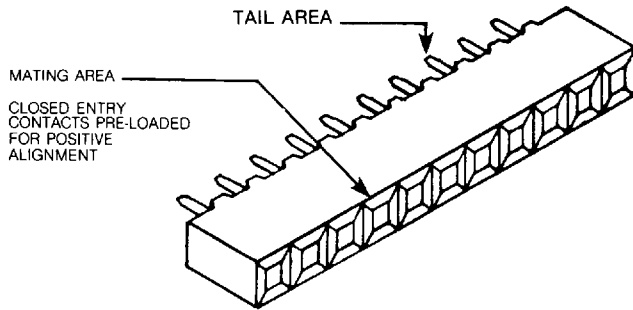
E27610 (M)

Consult factory for additional plating

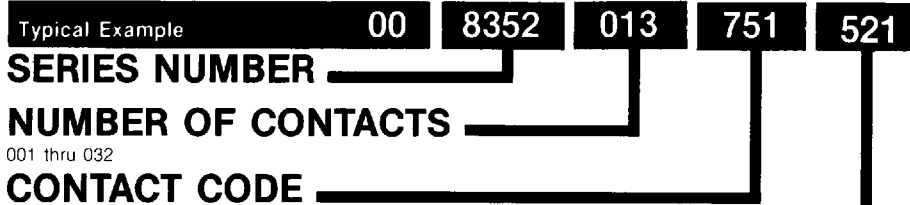
Receptacle

SERIES 8352

Vertical Single Row



Ordering Code



CODE NO.	Y = TAIL LENGTH
751	120 3 05
752	175 4 45

VARIATION CODE

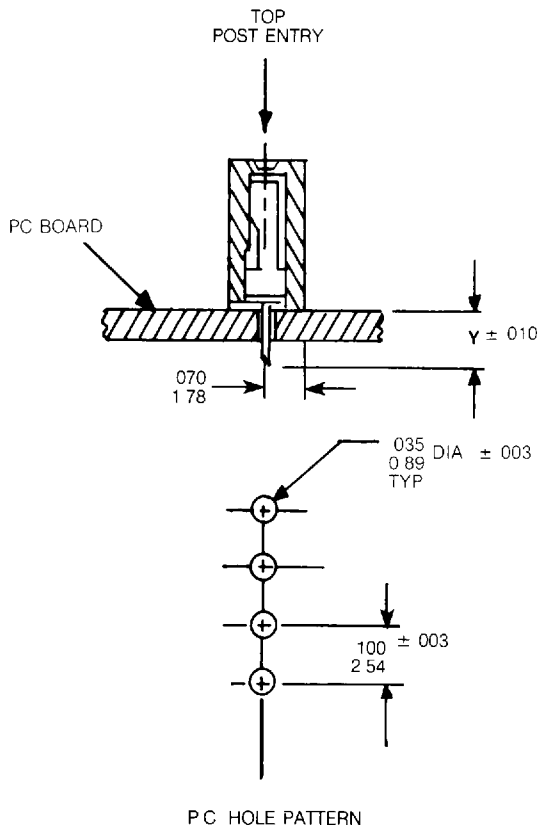
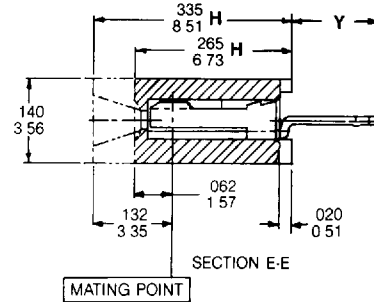
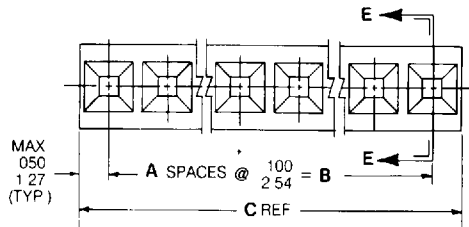
Mating Area	PLATING DESCRIPTION					INSULATOR HEIGHT H
	15 Gold	30 Gold	15 Gold	30 Gold	50 Gold	
Tail Area	Gold Flash	Gold Flash	100-200 Tin-Lead	100-200 Tin-Lead	100-200 Tin-Lead	
.070/1.78 for Top Post Entry	VARIATION CODE NUMBER					
	501	511	521	531	541	
	502	512	522	532	542	.265 / 6.73

Additional plating and tail lengths available. Consult factory.

NUMBER OF POSITIONS	A	B	C
1	—	—	100 2 54
2	1	100 2 54	200 5 08
3	2	200 5 08	300 6 35
4	3	300 6,35	400 10 16
5	4	400 10 16	500 12 70
6	5	500 12 70	600 15 24
7	6	600 15 24	700 17 78
8	7	700 17 78	800 20 32
9	8	800 20 32	900 22 86
10	9	900 22 86	1 000 25 40
11	10	1 000 25 40	1 100 27 94
12	11	1 100 27 94	1 200 30 48
13	12	1 200 30 48	1 300 33 02
14	13	1 300 33 02	1 400 35 56
15	14	1 400 35 56	1 500 38 10
16	15	1 500 38 10	1 600 40 64
17	16	1 600 40 64	1 700 43 18
18	17	1 700 43.18	1 800 45.72
19	18	1 800 45 72	1 900 48 26
20	19	1 900 48 26	2 000 50 80
21	20	2 000 50.80	2 100 53 34
22	21	2 100 53.34	2 200 55 88
23	22	2 200 55 88	2 300 58 42
24	23	2 300 58 42	2 400 60 96

■ Recommended for standard applications. Available through ELCO franchised distributors

Vertical Single Row



Number of Positions (continued)

NUMBER OF POSITIONS	A	B	C
25	24	2 400 60.96	2 500 63.50
26	25	2 500 63.50	2 600 66.04
27	26	2 600 66.04	2 700 68.58
28	27	2 700 68.58	2 800 71.12
29	28	2 800 71.12	2 900 73.66
30	29	2 900 73.66	3 000 76.20
31	30	3 000 76.20	3 100 78.74
32	31	3 100 78.74	3 200 81.28