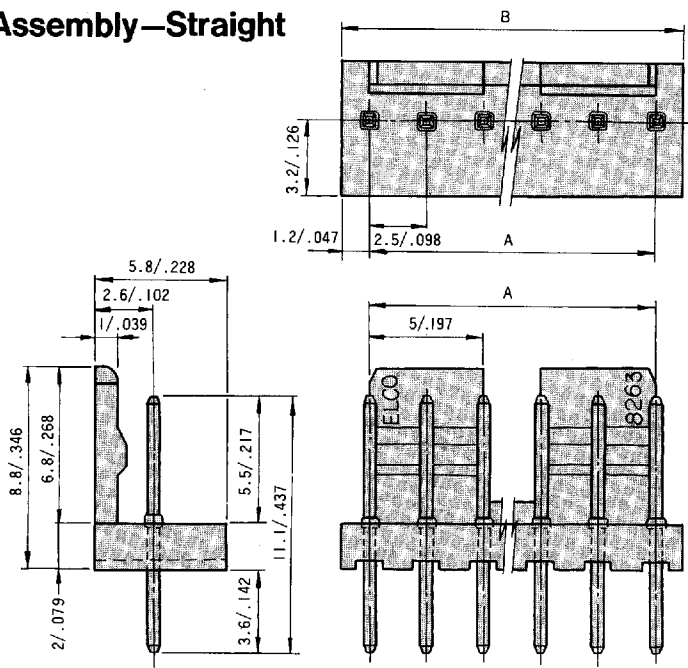


Plug Assembly—Straight

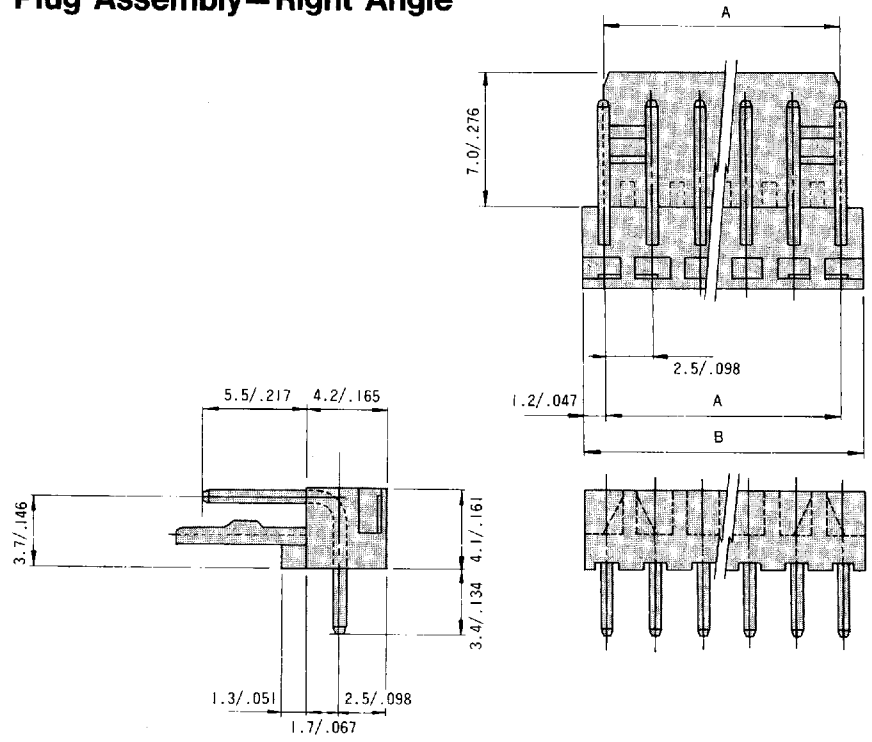


SERIES
8263
PLUG

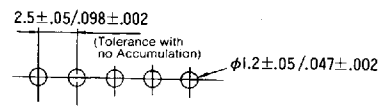
No. of position	A	B
2	2.5/ .098	4.9/ .193
3	5.0/ .197	7.4/ .291
4	7.5/ .295	9.9/ .390
5	10.0/ .394	12.4/ .488
6	12.5/ .492	14.9/ .587
7	15.0/ .591	17.4/ .685
8	17.5/ .689	19.9/ .783
9	20.0/ .787	22.4/ .882
10	22.5/ .886	24.9/ .980
11	25.0/ .984	27.4/ 1.079
12	27.5/ 1.083	29.9/ 1.177
13	30.0/ 1.181	32.4/ 1.276
14	32.5/ 1.280	34.9/ 1.374
15	35.0/ 1.378	37.4/ 1.472

A=2.5×(No. of position-1)/.0984×(No. of position-1)
B=2.5×(No. of position-1)+2.4/.0984×(No. of position-1)+.0945

Plug Assembly—Right Angle



P.C. Board Through Hole Dimension

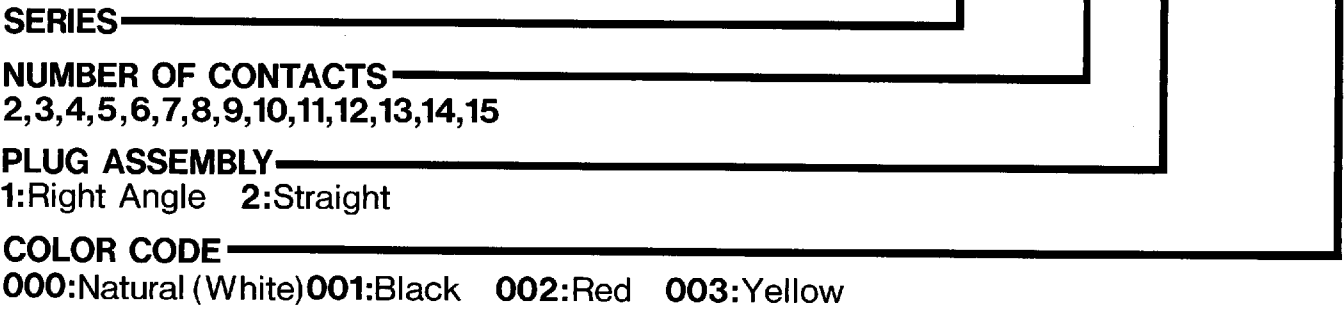


(APPLICABLE PWB T=1.6mm/0.063 IN OR LESS)

Dimensions mm/inches

Ordering Code

Typical Example **00 8263 02 1 1 00 000**



000:Natural (White) 001:Black 002:Red 003:Yellow

