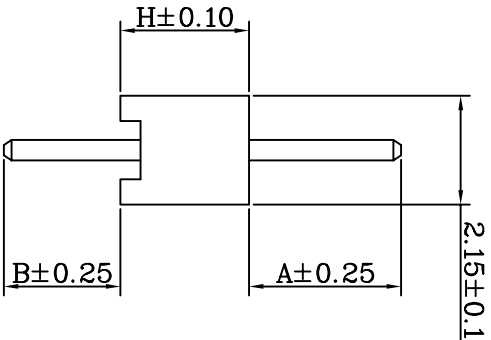
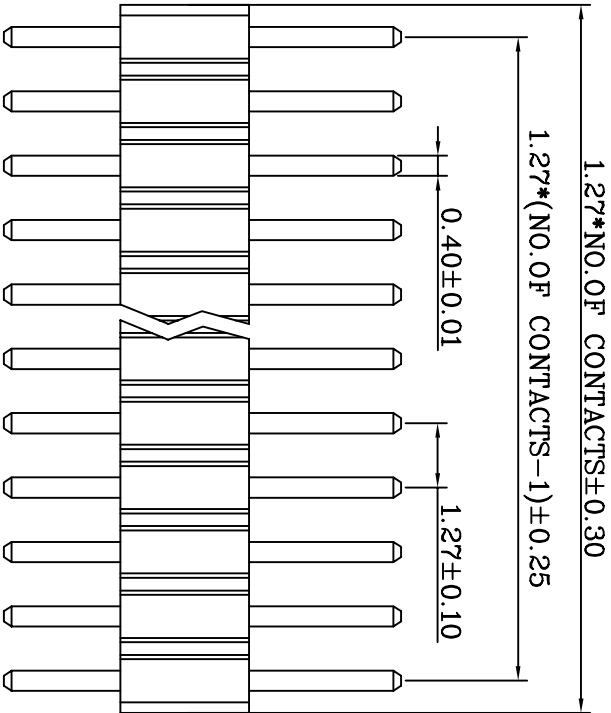
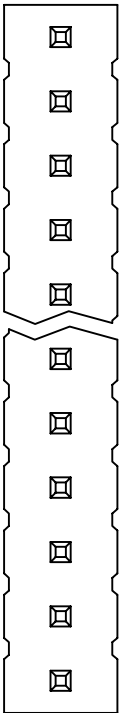


CUSTOMER COPY

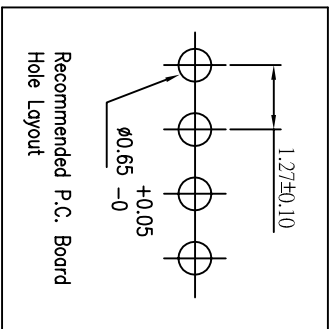


Pin Chart

| No. | A | B | H |
|-----|------|------|------|
| 00 | 7.60 | 1.80 | 1.00 |
| 01 | 3.50 | 1.80 | 1.00 |
| 02 | 3.00 | 2.30 | 1.50 |
| 03 | 3.00 | 2.30 | 1.00 |
| 04 | 5.20 | 1.70 | 1.00 |
| 05 | 3.00 | 2.30 | 2.00 |
| 06 | 2.00 | 2.00 | 3.00 |
| 07 | 3.20 | 2.10 | 1.00 |
| 08 | 4.00 | 2.10 | 1.00 |
| 09 | 1.50 | 1.50 | 1.00 |

| No. | A | B | H |
|-----|------|------|------|
| 10 | 2.00 | 2.00 | 1.00 |
| 11 | 3.50 | 1.35 | 1.00 |
| 12 | 6.00 | 2.00 | 1.00 |
| 13 | 4.50 | 1.50 | 2.00 |
| 14 | 4.50 | 2.00 | 2.00 |
| 15 | 2.00 | 2.00 | 1.70 |
| 16 | 2.00 | 2.00 | 2.00 |
| 17 | 2.80 | 2.40 | 1.00 |
| 18 | 5.50 | 2.00 | 2.00 |
| 19 | 1.80 | 2.00 | 1.00 |

| No. | A | B | H |
|-----|------|------|------|
| 20 | 2.50 | 2.80 | 1.50 |
| 21 | 3.00 | 2.30 | 1.70 |
| 22 | | | |
| 23 | | | |
| 24 | | | |
| 25 | | | |
| 26 | | | |
| 27 | | | |
| 28 | | | |
| 29 | | | |



ORDER INFORMATION
181 08 XX XX X

Plating:
2: Selective Gold
3: All Gold

No. of Pos
(02 ~ 40)

Pin Chart

Type
180°

| REV | ECN NO. | APP. | DATE |
|-----|------------|------|------|
| A | NEW DESIGN | | |

SPECIFICATION

- * Current Rating:
1 A
- * Withstanding Voltage:
600 VAC (1 min.)
- Insulation Resistance:
* 5000 Miliohms MAX.
- * Contact Resistance:
30 Miliohms MAX.
- * Operating Temperature:
-55°C to +105°C
- * Retention Force:
450g MIN.

MATERIAL

- * Contact: Copper Alloy 0.40mm square post.
- * Insulator: High Temperature plastic.
- * Plating: Selective Gold or ALL Gold

| | | | |
|-----------------------|--------|--------------------------------|-----------------|
| | | ACMELUX CO., LTD. | |
| TEL.:886-85124595 | | FAX:886-85124322 | |
| 0.0± | SCALE: | TITLE: | PART NO: 107100 |
| 0.00± | UNIT: | 1.27mm(.05") center pin header | APP BY: |
| 0.000± | MM | 0.40m/m Dip single Row | CHK BY: |
| MATERIAL: | | DR BY: JACK LIN | |
| DWG. NO. C18108XXXXXX | | | |