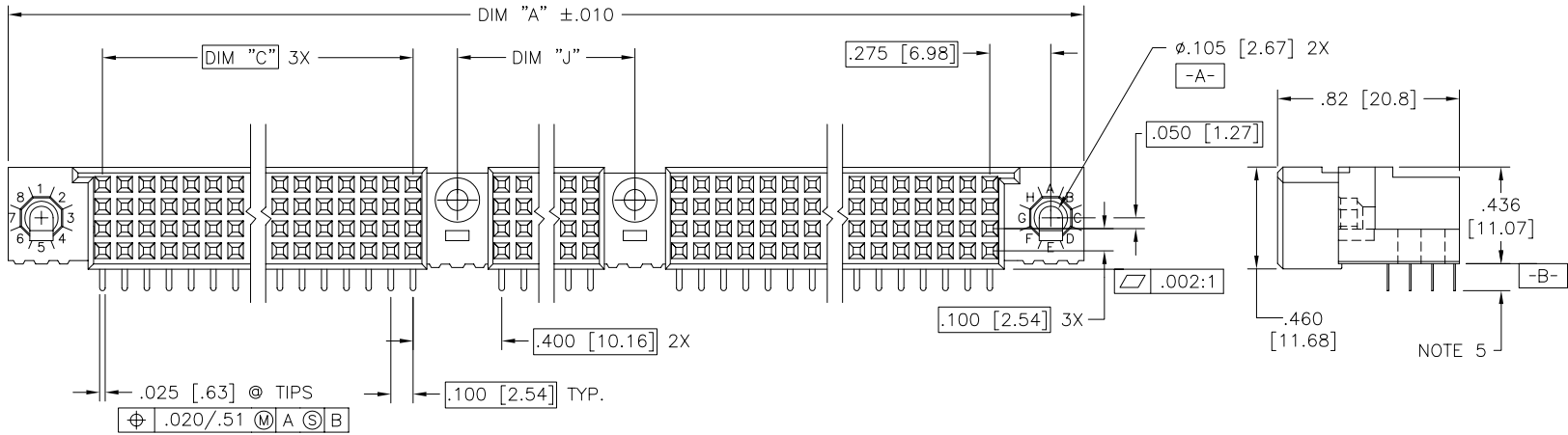
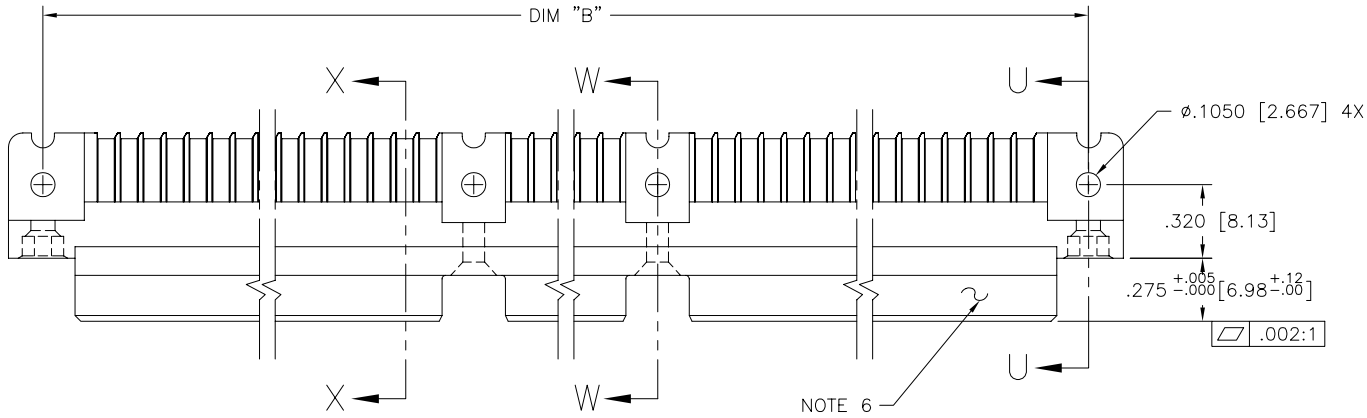


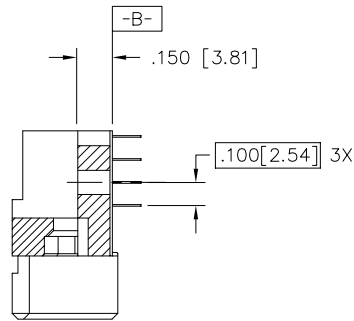
PRODUCT NUMBER
SEE NOTE 1



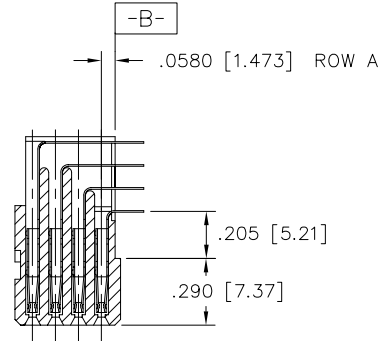
⊕ .020/.51 (M) A (S) B

mat'l. code NOTE 3		surface ISO 1302 ✓		tolerance ISO 406 ISO 1101		projection INCH/MM		product family HPC	
tolerances unless otherwise specified		angles		linear		scale 1:1		title 4 ROW R/A RECEPTACLE 2 G.P., NO-RIB, GENERIC MNT.	
A	v40979	GAH	6/08/94		.xx ±.01/.3			dwg no 50828	
B	v94354	HTB	11/22/99		.xxx ±.005/.13			sheet 1 of 2 size A3	
C	v00259	JWS	1/21/00	σ±2'	.xxxx ±.0020/.051			type Product Customer Drawing	
D	v20646	MEM	5/24/02	dr	G. HULL 7/28/94				
E	M06-0261	AEA	7/11/06	engr	D. HORCHLER 6/08/94				
				chr	D. HORCHLER 7/28/94				
				appd	S. CLARK 8/05/94				
sheet index	revision sheet	E 1	E 2						

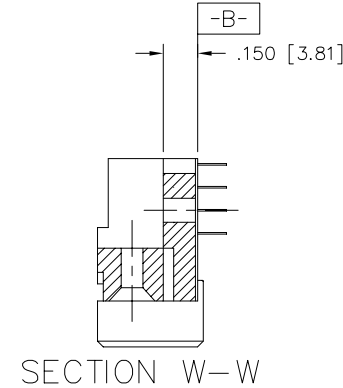
PRODUCT NUMBER		LENGTH FORMULAS
SEE NOTE 1	DIM A	$.100/2.54 \times \text{NO. OF COLUMNS} + 1.35/34.3$
	DIM B	$.100/2.54 \times \text{NO. OF COLUMNS} + 1.050/26.67$
	DIM C	$.100/2.54 \times \text{NO. OF COLUMNS DIVIDED BY 3} - .100/2.54$
	DIM J	$.100/2.54 \times \text{NO. OF COLUMNS DIVIDED BY 3} + .300/7.62$



SECTION U-U

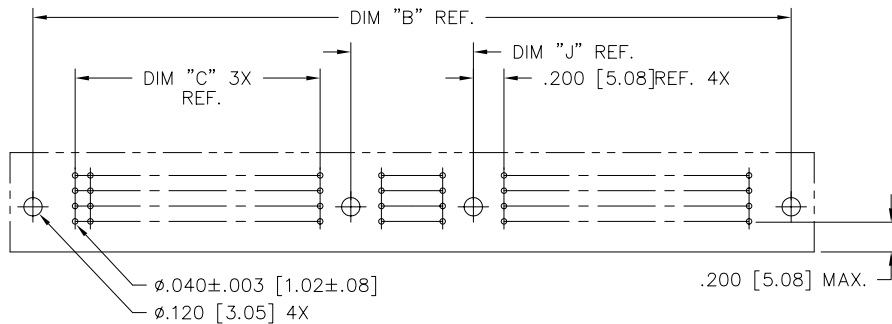


SECTION X-X



SECTION W-W

- NOTES:
- PRODUCT NUMBERING CODE:
50828 - X YYY Z
 - TAIL LENGTH (NOTE 5)
 - NO. OF POSITIONS (NOTE 2)
 - PLATING (NOTE 4)
 - BASE NUMBER
 - THIS PRODUCT IS CONFIGURED IN SIZES OF 30 THRU 150 COLUMNS IN INCREMENTS OF THREE. i.e.: 30,33,36,39.....147,150.
 - HOUSING MATERIAL: GLASS AND MINERAL FILLED HIGH TEMP. THERMOPLASTIC. FLAME RETARDANT PER UL94V-0. COLOR: BLACK. CONTACT MATERIAL: BeCu
 - PLATING CONTACT AREA OPTIONS:
 1 = 30u"/.76u GOLD
 3 = 50u"/1.27u GOLD
 5 = 30u"/.76u GTX
 ALL SOLDER TAILS TIN/LEAD
 - TAIL LENGTH OPTIONS:
 E = .125±.010 / 3.18±.25
 F = .145±.010 / 3.68±.25
 H = .180±.010 / 4.57±.25
 - COMPANY NAME, PART NUMBER AND LOT CODE TO APPEAR ON THIS SURFACE PER BUS-12-108.
 - FOR DOCUMENTATION MENU, SEE SPECIFICATION BUS-01-057.



RECOMMENDED PCB LAYOUT
(ALL HOLES LOCATED ON .100 [2.54] GRID UNLESS OTHERWISE SPECIFIED)

mat'l. code		surface		tolerance		projection		product family	
-		ISO 1302 ✓		ISO 406 ISO 1101				HPC	
ltr		ecn		no		dr		date	
E									
				tolerances unless otherwise specified				title	
				angles		linear		INCH/MM	
				.xx ±.01/.3				4 ROW R/A RECEPTACLE	
				.xxx ±.005/.13				2 G.P., NO-RIB, GENERIC MNT.	
				.xxxx ±.0020/.051		scale 1:1		dwg no	
				dr		G. HULL		7/28/94	
				enrg		D. HORCHLER		6/08/94	
				chr		D. HORCHLER		7/28/94	
				appd		S. CLARK		8/05/94	
sheet		revision						sheet 2 of 2 size	
index		sheet						50828 A3	
								type Product Customer Drawing	



Copyright FCI