

HIGH DENSITY D-SUB ~ RIGHT ANGLE

DNHR SERIES

MATERIAL

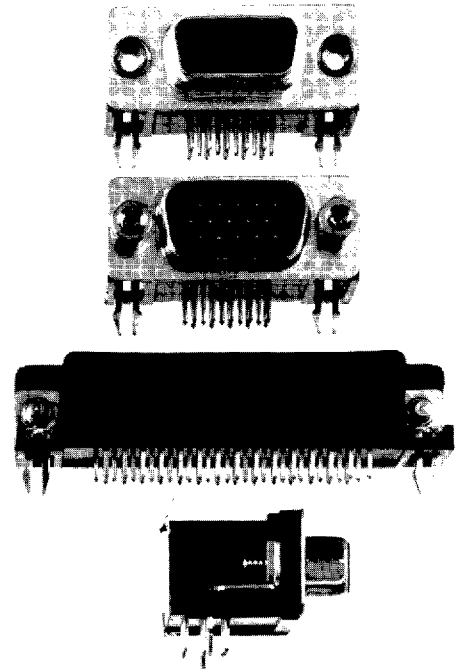
Insulator: Black PBT (UL 94V-0)
 Contact: Copper Alloy
 Contact Plating: Gold Over Nickel (see "Plating Option" below)
 Shell: Steel, with Tin Plating
 Hardware Plating: Jackscrew and Clinch Nut ~ Nickel Over Brass
 L Bracket and Board Lock ~ Tin Over Brass

SPECIFICATIONS

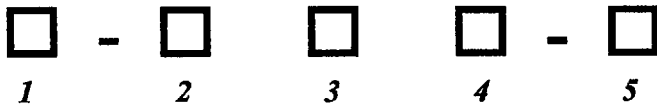
Current Rating: 3A
 Insulator Resistance: 1000 MΩ Min at 500V DC
 Voltage Rating: 1000V for one minute
 Operating Temperature: -55°C - +105°C

FEATURES

- ♦ High density contact alignment
- ♦ Well suited for rack and panel connections
- ♦ Right angled solder terminals
- ♦ Provides fast, easy connections between main computer and peripheral equipment
- ♦ Trapezoid shaped shell provides equilateral mating and EMI shielding, thus protecting against mechanical impact
- ♦ Special hardware options available (see "Mounting Option" below)
- ♦ **Mating Series: DNE, DNHP, DNEC, DNHR**



HOW TO ORDER:



1. **SERIES**
DNHR = High Density D-Sub,
 Right Angle

4. **MOUNTING OPTION***
JL = Jack Screw with L Bracket
JB = Jack Screw with Board Lock
CL = Clinch Nut (4-40) with L Bracket
CB = Clinch Nut (4-40) with Board Lock
CJL = Clinch Nut (4-40) and Jack Screw with L Bracket
CJB = Clinch Nut (4-40) and Jack Screw with Board Lock

2. **POSITION***
15 = 15 Position
26 = 26 Position
44 = 44 Position
62 = 62 Position
78 = 78 Position

**NOTE: See illustrations on page 30.*

3. **GENDER**
P = Plug (Male)
S = Socket (Female)

5. **PLATING OPTION**
SG = Selective Gold Flash
SG15 = Selective Gold, 15μ"
SG30 = Selective Gold, 30μ"
SG50 = Selective Gold, 50μ"
G = Full Gold Flash
G15 = Full Gold, 15μ"
G30 = Full Gold, 30μ"

**NOTE: Positions 26, 44, 62 and 78 females only. Males under development -- please consult factory.*

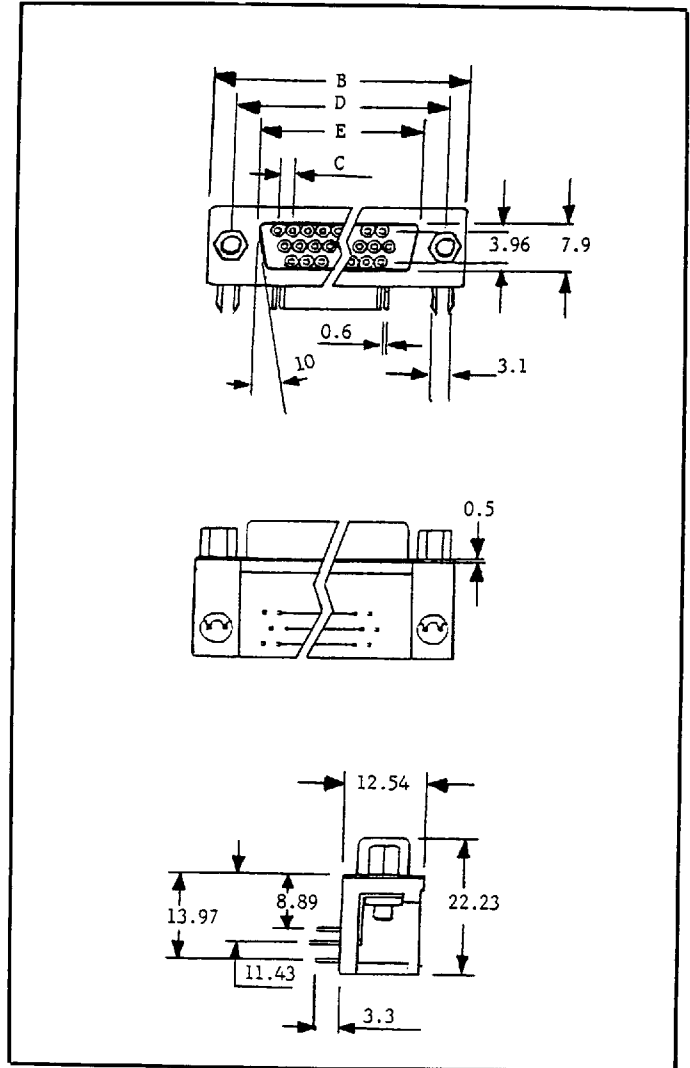
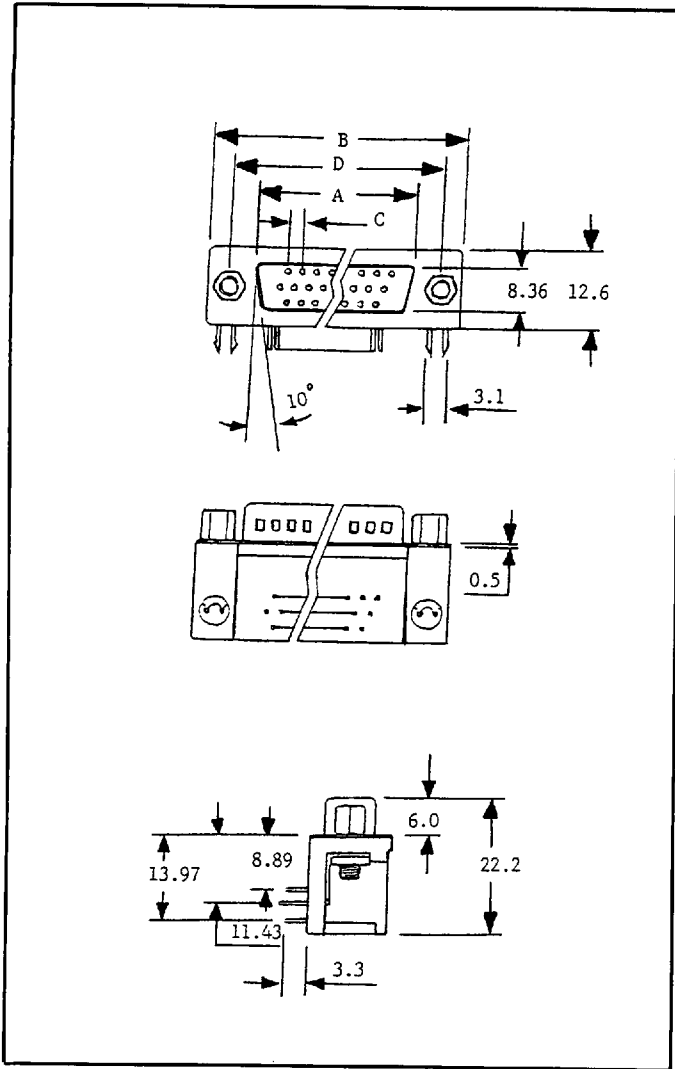
HIGH DENSITY D-SUB ~ RIGHT ANGLE

DNHR SERIES

SPECIFICATIONS:

MALE

FEMALE



DIMENSIONS:

POSITION	A	B	C	D	E
15	16.92	30.81	2.29	24.99	16.33
26	25.25	39.14	2.29	33.32	24.66
44	38.96	53.04	2.29	47.04	38.38
62	55.42	69.32	2.41	63.50	54.84
78	52.86	66.90	2.41	61.11	52.34

ENGINEERS: For detailed Data Sheets, including *tolerances*, see pages 157 & 159 or call us!

MOUNTING OPTIONS

RIGHT ANGLE D-SUBS

***SERIES: DNR, DNRI, DNRL, DNHR, DNDP**

