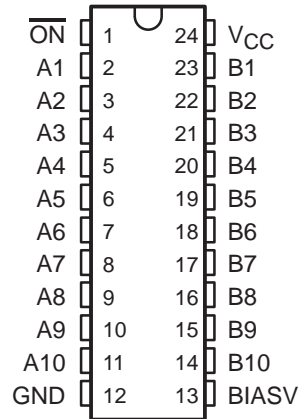


- **5-Ω Switch Connection Between Two Ports**
- **TTL-Compatible Input Levels**
- **Outputs Are Precharged by Bias Voltage to Minimize Signal Distortion During Live Insertion**
- **Package Options Include Plastic Small-Outline (DW), Shrink Small-Outline (DB, DBQ), Thin Very Small-Outline (DGV), and Thin Shrink Small-Outline (PW) Packages**

DB, DBQ, DGV, DW, OR PW PACKAGE
(TOP VIEW)



description

The SN74CBT6800A provides ten bits of high-speed TTL-compatible bus switching. The low on-state resistance of the switch allows bidirectional connections to be made while adding near-zero propagation delay. The device also precharges the B port to a user-selectable bias voltage (BIASV) to minimize live-insertion noise.

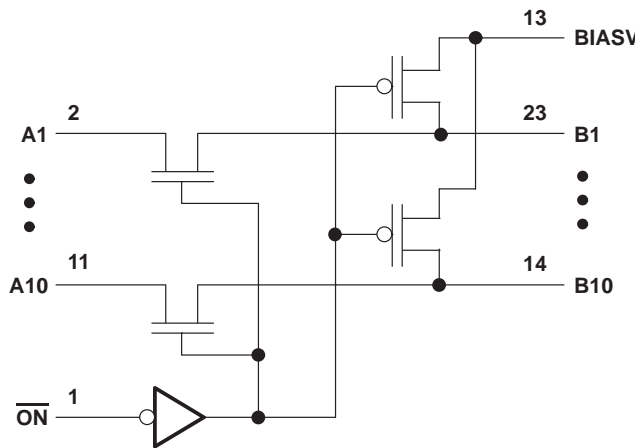
The SN74CBT6800A is organized as one 10-bit switch with a single enable (\overline{ON}) input. When \overline{ON} is low, the switch is on, and port A is connected to port B. When \overline{ON} is high, the switch between port A and port B is open. When \overline{ON} is high or V_{CC} is 0 V, B port is precharged to BIASV through the equivalent of a 10-kΩ resistor.

The SN74CBT6800A is characterized for operation from -40°C to 85°C .

FUNCTION TABLE

| INPUT \overline{ON} | FUNCTION |
|--------------------------|------------------------------|
| L | A port = B port |
| H | A port = Z B port = BIASV |

logic diagram (positive logic)



Please be aware that an important notice concerning availability, standard warranty, and use in critical applications of Texas Instruments semiconductor products and disclaimers thereto appears at the end of this data sheet.

PRODUCTION DATA information is current as of publication date. Products conform to specifications per the terms of Texas Instruments standard warranty. Production processing does not necessarily include testing of all parameters.

SN74CBT6800A

10-BIT FET BUS SWITCH

WITH PRECHARGED OUTPUTS

SCDS005M – MARCH 1993 – REVISED MAY 2000

absolute maximum ratings over operating free-air temperature range (unless otherwise noted)†

| | |
|---|----------------|
| Supply voltage range, V_{CC} | –0.5 V to 7 V |
| Bias voltage range, BIASV | –0.5 V to 7 V |
| Input voltage range, V_I (see Note 1) | –0.5 V to 7 V |
| Continuous channel current | 128 mA |
| Input clamp current, I_{IK} ($V_I < 0$) | –50 mA |
| Package thermal impedance, θ_{JA} (see Note 2): DB package | 63°C/W |
| DBQ package | 61°C/W |
| DGV package | 86°C/W |
| DW package | 46°C/W |
| PW package | 88°C/W |
| Storage temperature range, T_{stg} | –65°C to 150°C |

† Stresses beyond those listed under “absolute maximum ratings” may cause permanent damage to the device. These are stress ratings only, and functional operation of the device at these or any other conditions beyond those indicated under “recommended operating conditions” is not implied. Exposure to absolute-maximum-rated conditions for extended periods may affect device reliability.

- NOTES: 1. The input and output negative-voltage ratings may be exceeded if the input and output clamp-current ratings are observed.
 2. The package thermal impedance is calculated in accordance with JESD 51.

recommended operating conditions (see Note 3)

| | MIN | MAX | UNIT |
|---|-----|----------|------|
| V_{CC} Supply voltage | 4 | 5.5 | V |
| BIASV Supply voltage | 1.3 | V_{CC} | V |
| V_{IH} High-level control input voltage | 2 | | V |
| V_{IL} Low-level control input voltage | | 0.8 | V |
| T_A Operating free-air temperature | –40 | 85 | °C |

NOTE 3: All unused control inputs of the device must be held at V_{CC} or GND to ensure proper device operation. Refer to the TI application report, *Implications of Slow or Floating CMOS Inputs*, literature number SCBA004.

electrical characteristics over recommended operating free-air temperature range (unless otherwise noted)

| PARAMETER | TEST CONDITIONS | | MIN | TYP‡ | MAX | UNIT |
|-------------------|--|---|------|------|------|------|
| V_{IK} | $V_{CC} = 4.5$ V, | $I_I = -18$ mA | | | –1.2 | V |
| I_I | $V_{CC} = 5.5$ V, | $V_I = 5.5$ V or GND | | | ±5 | µA |
| I_O | $V_{CC} = 4.5$ V, | BIASV = 2.4 V, $V_O = 0$ | 0.25 | | | mA |
| I_{CC} | $V_{CC} = 5.5$ V, | $I_O = 0$, $V_I = V_{CC}$ or GND | | | 50 | µA |
| ΔI_{CC} § | Control inputs | $V_{CC} = 5.5$ V, One input at 3.4 V, Other inputs at V_{CC} or GND | | | 2.5 | mA |
| C_i | Control inputs | $V_I = 3$ V or 0 | | 3.5 | | pF |
| $C_{o(OFF)}$ | $V_O = 3$ V or 0, | Switch off | | 4.5 | | pF |
| r_{on} ¶ | $V_{CC} = 4$ V, TYP at $V_{CC} = 4$ V | $V_I = 2.4$ V, $I_I = 15$ mA | | 11 | 20 | Ω |
| | $V_{CC} = 4.5$ V | $V_I = 0$ | | 3 | 7 | |
| | | $I_I = 64$ mA $I_I = 30$ mA | | 3 | 7 | |
| | | $V_I = 2.4$ V, $I_I = 15$ mA | | 6 | 15 | |

‡ All typical values are at $V_{CC} = 5$ V (unless otherwise noted), $T_A = 25$ °C.

§ This is the increase in supply current for each input that is at the specified TTL voltage level rather than V_{CC} or GND.

¶ Measured by the voltage drop between the A and B terminals at the indicated current through the switch. On-state resistance is determined by the lower of the voltages of the two (A or B) terminals.

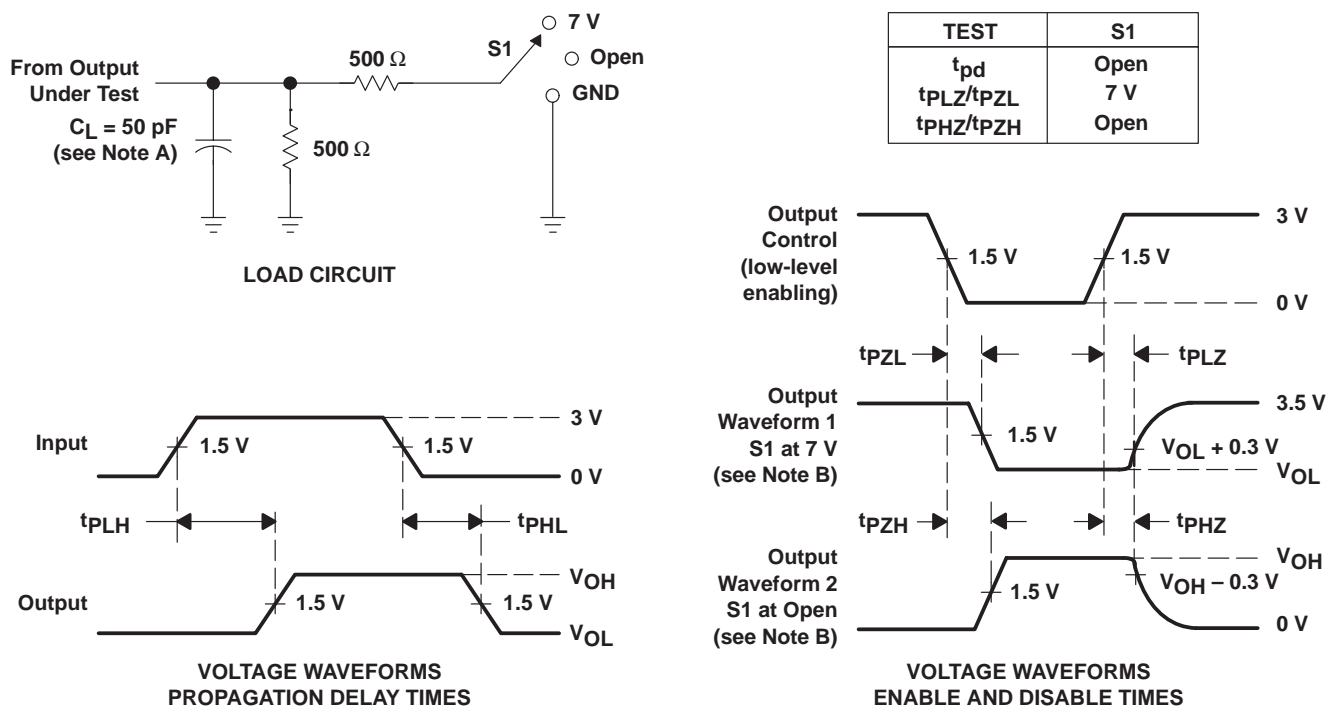


switching characteristics over recommended operating free-air temperature range, $C_L = 50$ pF (unless otherwise noted) (see Figure 1)

| PARAMETER | TEST CONDITIONS | FROM (INPUT) | TO (OUTPUT) | $V_{CC} = 4$ V | | $V_{CC} = 5$ V ± 0.5 V | | UNIT |
|------------------|-----------------|------------------------|-------------|----------------|-----|----------------------------|-----|------|
| | | | | MIN | MAX | MIN | MAX | |
| t_{pd}^\dagger | | A or B | B or A | 0.35 | | 0.25 | | ns |
| t_{PZH} | BIASV = GND | $\overline{\text{ON}}$ | A or B | 6 | | 2 | 5.1 | ns |
| t_{PZL} | BIASV = 3 V | | | 6 | | 2 | 5.6 | |
| t_{PHZ} | BIASV = GND | $\overline{\text{ON}}$ | A or B | 5.5 | | 1 | 5 | ns |
| t_{PLZ} | BIASV = 3 V | | | 5.5 | | 2 | 5.9 | |

† The propagation delay is the calculated RC time constant of the typical on-state resistance of the switch and the specified load capacitance, when driven by an ideal voltage source (zero output impedance).

PARAMETER MEASUREMENT INFORMATION



- NOTES:
- A. C_L includes probe and jig capacitance.
 - B. Waveform 1 is for an output with internal conditions such that the output is low except when disabled by the output control. Waveform 2 is for an output with internal conditions such that the output is high except when disabled by the output control.
 - C. All input pulses are supplied by generators having the following characteristics: $PRR \leq 10$ MHz, $Z_O = 50$ Ω, $t_r \leq 2.5$ ns, $t_f \leq 2.5$ ns.
 - D. The outputs are measured one at a time with one transition per measurement.
 - E. t_{PLZ} and t_{PHZ} are the same as t_{dis} .
 - F. t_{PZL} and t_{PZH} are the same as t_{en} .
 - G. t_{PLH} and t_{PHL} are the same as t_{pd} .

Figure 1. Load Circuit and Voltage Waveforms

IMPORTANT NOTICE

Texas Instruments and its subsidiaries (TI) reserve the right to make changes to their products or to discontinue any product or service without notice, and advise customers to obtain the latest version of relevant information to verify, before placing orders, that information being relied on is current and complete. All products are sold subject to the terms and conditions of sale supplied at the time of order acknowledgment, including those pertaining to warranty, patent infringement, and limitation of liability.

TI warrants performance of its semiconductor products to the specifications applicable at the time of sale in accordance with TI's standard warranty. Testing and other quality control techniques are utilized to the extent TI deems necessary to support this warranty. Specific testing of all parameters of each device is not necessarily performed, except those mandated by government requirements.

Customers are responsible for their applications using TI components.

In order to minimize risks associated with the customer's applications, adequate design and operating safeguards must be provided by the customer to minimize inherent or procedural hazards.

TI assumes no liability for applications assistance or customer product design. TI does not warrant or represent that any license, either express or implied, is granted under any patent right, copyright, mask work right, or other intellectual property right of TI covering or relating to any combination, machine, or process in which such semiconductor products or services might be or are used. TI's publication of information regarding any third party's products or services does not constitute TI's approval, warranty or endorsement thereof.