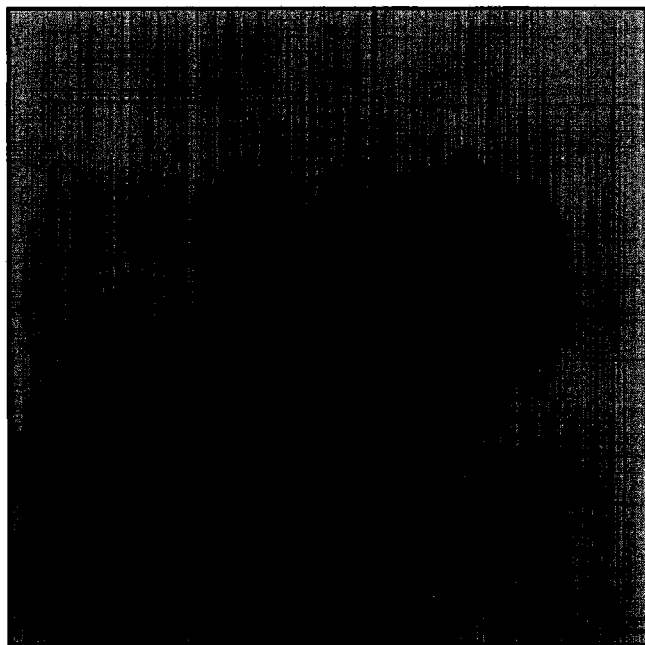


.100" × .100" Polarized Boardmount Socket

Centerbump Polarization with Straight Solder Tails

6800 Series



- Standard centerbump with straight solder tails
- Mates with low profile shrouded headers
- Part number on each piece
- Optional keying plug
- 34–50 contacts
- Military dual polarization
- Board retention feature

Date Issued: February 19, 1999

TS-0689-02
Sheet 1 of 2

18

Physical

Insulation

Material: Glass Filled Polyester (PBT)
Flammability: UL 94V-0
Color: Gray

Contact

Material: Copper Alloy
Plating
Underplating & U-Slot: 2 μm [79 μm] Nickel — QQ-N-290, Class 2
Wiping Area: 0.3 μm [12 μm] Gold — MIL-G-45204, Type II, Grade C
Solder Tails: Tin Lead — MIL-P-81728
Marking: 3M Logo, Part Identification Number and Orientation Triangle

Electrical

Current Rating: 1 A
Insulation Resistance: $> 1 \times 10^9 \Omega$ at 500 Vdc
Withstanding Voltage: 1000 Vrms at Sea Level

Environmental

Temperature Rating: -55°C to 105°C

UL File No.: E68080

3M Electronic Products Division

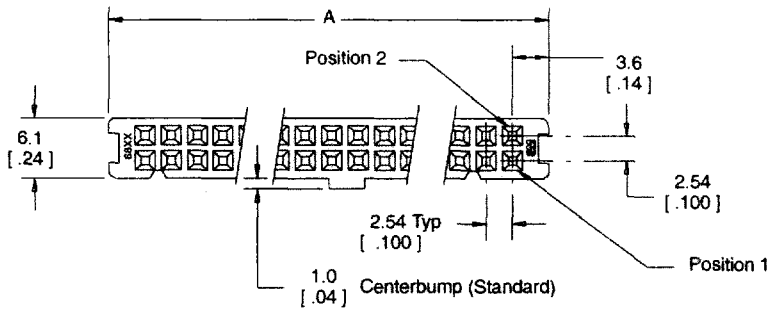
6801 River Place Blvd.
Austin, TX 78726-9000

For technical, sales or ordering information call
800-225-5373

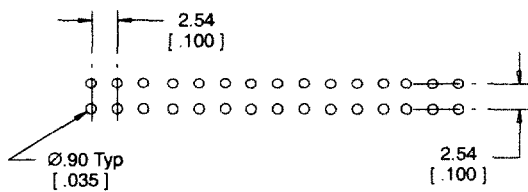
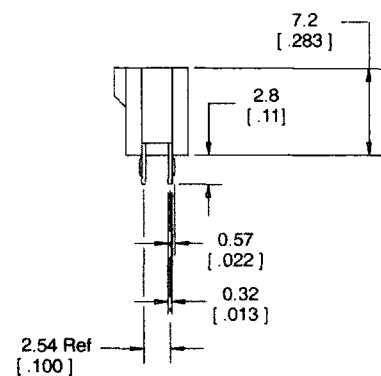
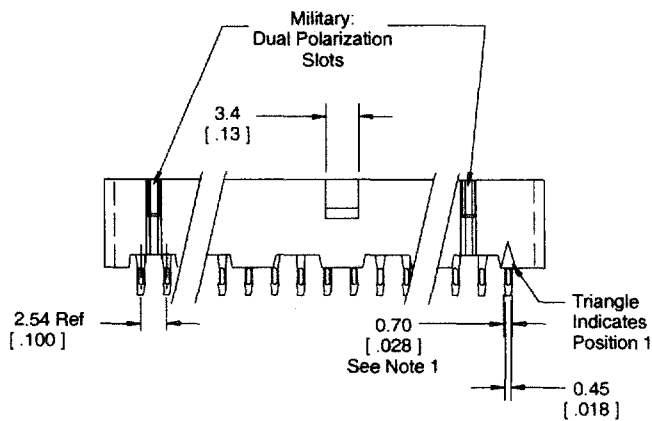
.100" × .100" Polarized Boardmount Socket

Centerbump Polarization with Straight Soldertails

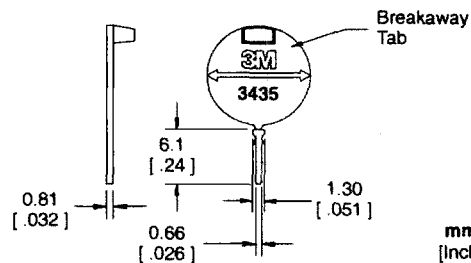
6800 Series



Contact Quantity	Dimension A
34	47.7 [1.88]
40	55.3 [2.18]
50	68.0 [2.68]



Recommended Mounting Hole Pattern
(Shown for Top Side of PC Board)



3435-0 Keying Plug
(Optional: Order Separately)

Tolerance Unless Noted			
	.0	.00	.000
mm	±.3	±.13	

[] Dimensions for Reference only

Notes:

1. The contact soldertail is designed to retain the connector on the PC board during flow soldering operations.
2. Recommended to be mated to the .100" x .100" Low Profile Header and the 4600 series Plug Connector without ejector latches.

Ordering Information

Sockets
68XX-4500JL

Contact Quantity:
See Table

TS-0689-02
Sheet 2 of 2