

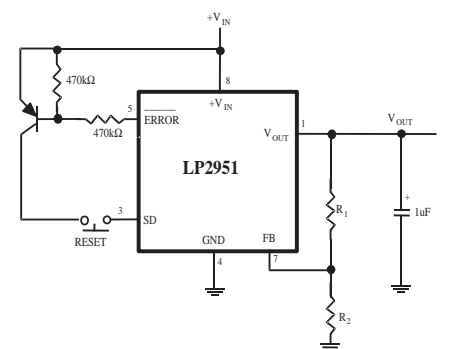
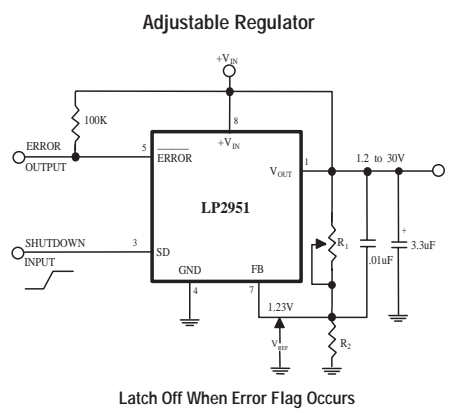
100 mA Low Dropout Voltage Regulators

features	description
<ul style="list-style-type: none"> ■ Guaranteed 100mA Output Current ■ 5.0V and 3.3V Versions @ 100mA Output ■ Very Low Quiescent Current ■ Low Dropout Voltage: 380mV at 100mA ■ Extremely Tight Load and Line Regulation ■ Very Low Temperature Coefficient ■ Current & Thermal Limiting ■ Need Only 1μF for Stability ■ LP2951 versions only <ul style="list-style-type: none"> • Error Flag Warns of Output Dropout • Logic-Controlled Electronic Shutdown • Output Programmable From 1.24 to 29V ■ Offered in TO-92 (LP2950) & SOIC (LP2951) 	<p>The LP2950 and LP2951 are low power voltage regulators. These devices are an excellent choice for use in battery-powered applications such as cordless telephones, radio control systems, and portable computers. The LP2950 and LP2951 feature low quiescent current and low dropout voltage (typ. 50mV at light load and 380 mV at 100mA). This includes a tight initial tolerance of 0.5% (typ.), extremely good load and line regulation (0.05% typ.), and very low output temperature coefficient, making the LP2950/LP2951 useful as a low-power voltage reference.</p> <p>The error flag output feature is used as a power-on reset for warning of a low output voltage, due to a falling input voltage. The logic-compatible shutdown feature enables the regulator to be switched ON and OFF. The LP2950 is offered in a 3-pin TO-92 package compatible with other 5V, 3.0V & 3.3V regulators. The LP2951 is available in an 8-lead SOIC package.</p>

applications

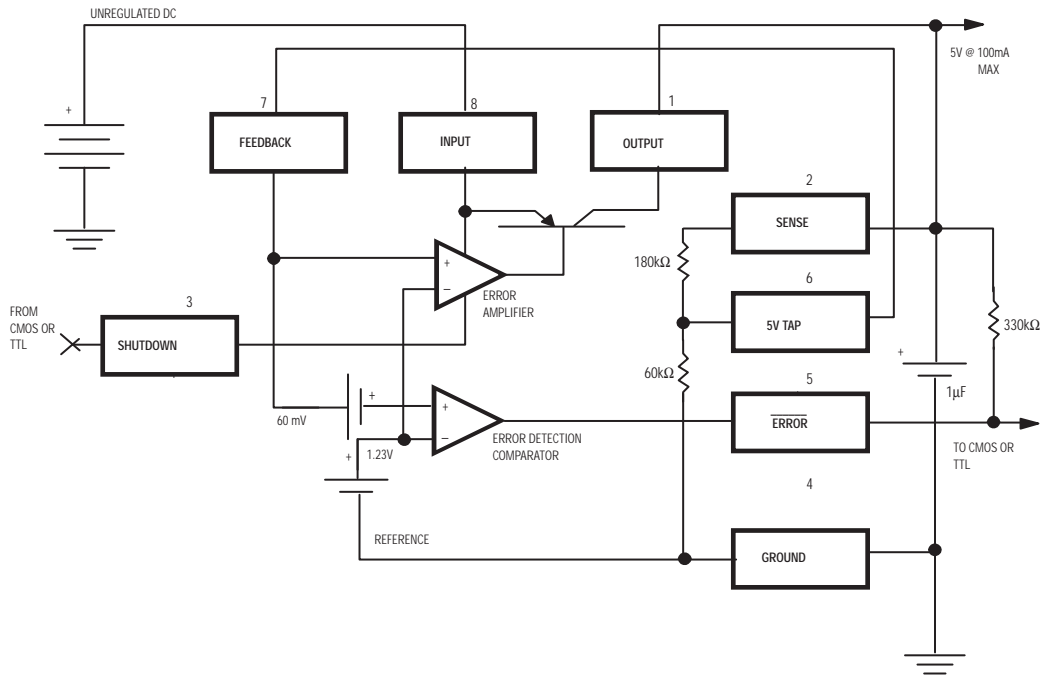
- Battery Powered Systems
- Cordless Telephones
- Radio Control Systems
- Portable/Palm Top/Notebook Computers
- Portable Consumer Equipment
- Portable Instrumentation
- SMPS Post-Regulator
- Voltage Reference
- Automotive Electronics

typical application circuits



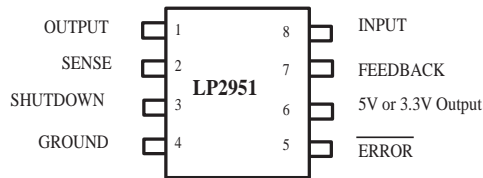
LP2950/LP2951

block diagram



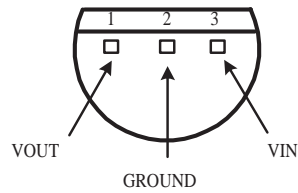
packages

8-Pin Surface Mount (S)



Top View

TO-92 (N)



Bottom View

ordering information - Please consult the factory for pricing and availability on a Tape-On-Reel option.

Part Number.	Precision	Output Voltage	Packages
LP2950ACN-3.3	0.5%	3.3V	3 lead TO-92
LP2950ACN-5.0	0.5%	5.0V	3 lead TO-92
LP2950CN-3.3	1%	3.3V	3 lead TO-92
LP2950CN-5.0	1%	5.0V	3 lead TO-92
LP2951ACS-3.3	0.5%	3.3V	8 Lead SOIC
LP2951ACS-5.0	0.5%	5.0V	8 Lead SOIC
LP2951CS-3.3	1%	3.3V	8 Lead SOIC
LP2951CS-5.0	1%	5.0V	8 Lead SOIC