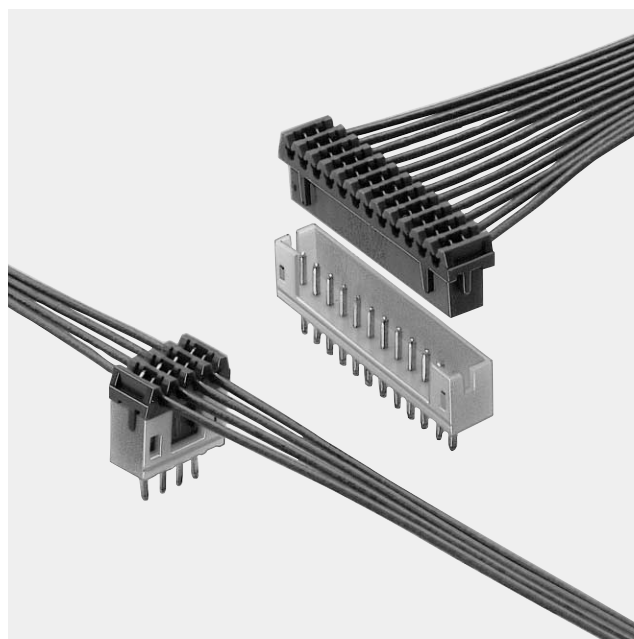


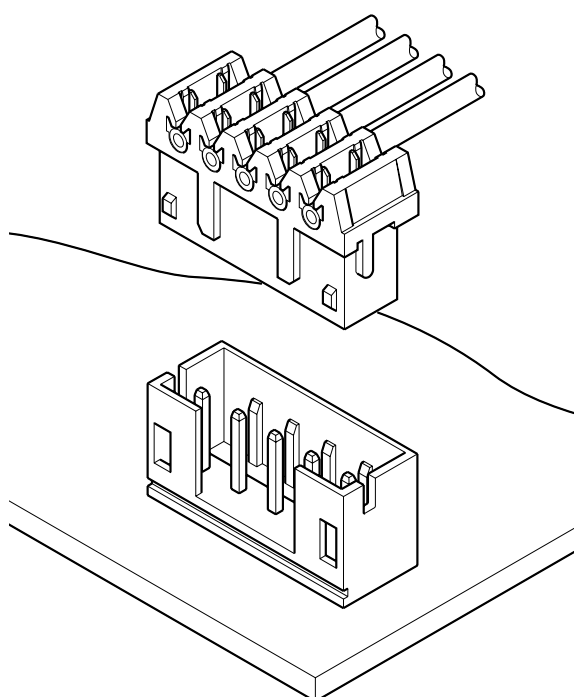
KRD CONNECTOR



Disconnectable Insulation displacement connectors



This 2.0mm (.079") pitch insulation displacement connector is another version of the NRD connector for printed circuit boards. The KRD connector allows daisy chaining and is very useful in simplifying connection systems in electronic equipment.



Features

• **Daisy chain connection**

The connection shown in the figure is commonly called "daisy chain connections" or "through connections". With these simple connections, many signals can be bussed to many different printed circuit boards. The KRD connector is constructed to allow such daisy chain connections.

• **Twin slot insulation displacement section**

The insulation displacement section connected to the wire consists of twin tin-plated slots for superb reliability.

• **Distortion resistant construction**

The header is shrouded and thus protects the receptacle from damage that could be caused by mating the connectors at an angle or otherwise mismatching the connectors.

• **Interchangeability**

The shrouded header is interchangeable with of the PH crimp style connectors and or KR and CR insulation displacement connectors.

• **Low profile design - a mere 9.0mm (.354") high from the PC board surface**

Specifications

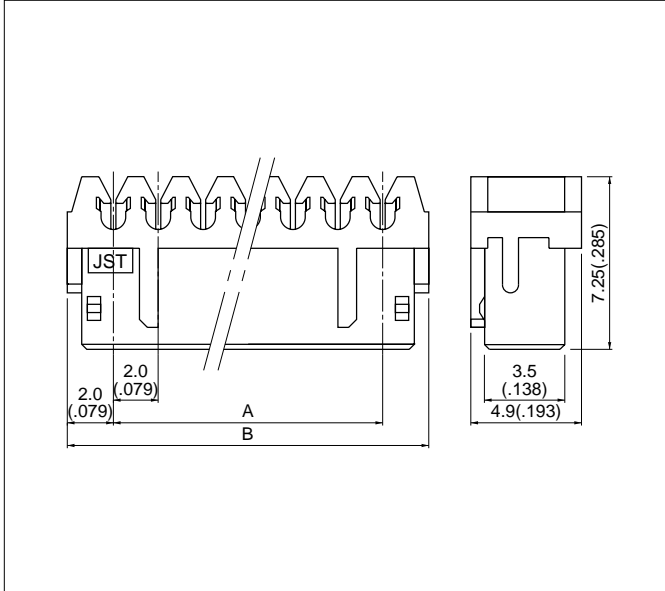
- Current rating: 1.0A AC,DC (AWG#26)
- Voltage rating: 100V AC,DC
- Temperature range: -25°C to +85°C
(including temperature rise in applying electrical current)
- Contact resistance: Initial value/10m Ω max.
After environmental testing/20m Ω max.
- Insulation resistance: 1,000M Ω min.
- Withstanding voltage: 800V AC/minute
- Applicable wire: UL1571, UL1061 (Contact JST for details regarding other UL wires.)
AWG #28, #26
Conductor/7 strands, tin-coated
Insulation O.D./0.9 to 1.0mm(.035" to .039")
- Applicable PC board thickness: 0.8 to 1.6mm(.031" to .063")
- * Contact JST if Lead-Free product is required.
- * Refer to "General Instruction and Notice when using Terminals and Connectors" at the end of this catalog.
- * Contact JST for details.

Standards

Ⓜ Recognized E60389

Ⓢ Certified LR20812

Receptacle



Circuits	Model No.		Dimensions mm(in.)		Qty / box
	AWG #28 (green)	AWG #26 (natural/white)	A	B	
2	02KR-D8M	02KR-D6S	2.0 (.079)	6.0 (.236)	2,000
3	03KR-D8M	03KR-D6S	4.0 (.157)	8.0 (.315)	
4	04KR-D8M	04KR-D6S	6.0 (.236)	10.0 (.394)	
5	05KR-D8M	05KR-D6S	8.0 (.315)	12.0 (.472)	1,000
6	06KR-D8M	06KR-D6S	10.0 (.394)	14.0 (.551)	
7	07KR-D8M	07KR-D6S	12.0 (.472)	16.0 (.630)	
8	08KR-D8M	08KR-D6S	14.0 (.551)	18.0 (.709)	500
9	09KR-D8M	09KR-D6S	16.0 (.630)	20.0 (.787)	
10	10KR-D8M	10KR-D6S	18.0 (.709)	22.0 (.866)	
11	11KR-D8M	11KR-D6S	20.0 (.787)	24.0 (.945)	500
12	12KR-D8M	12KR-D6S	22.0 (.866)	26.0 (1.024)	
13	13KR-D8M	13KR-D6S	24.0 (.945)	28.0 (1.102)	
14	14KR-D8M	14KR-D6S	26.0 (1.024)	30.0 (1.181)	500
15	15KR-D8M	15KR-D6S	28.0 (1.102)	32.0 (1.260)	
16	16KR-D8M	16KR-D6S	30.0 (1.181)	34.0 (1.339)	

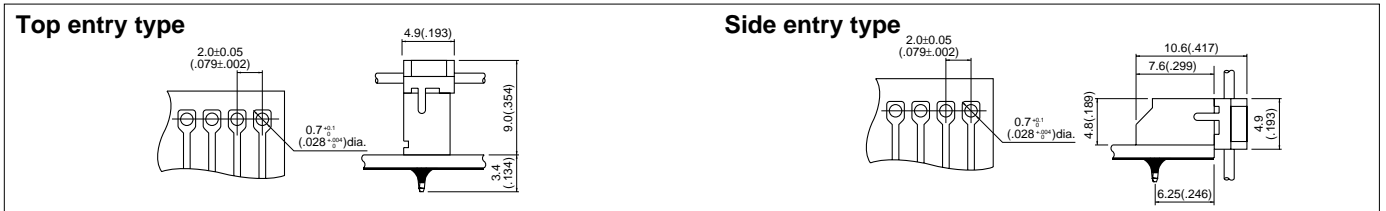
Material and Finish

Contact: Phosphor bronze, copper-undercoated, tin/lead-plated
Housing: Nylon 66, UL94V-0

Through-hole type shrouded header

The shrouded headers are interchangeable with the PH crimp style connectors and with KR and CR insulation displacement connectors.

Through-hole type PC board layout (viewed from soldering side) and Assembly layout



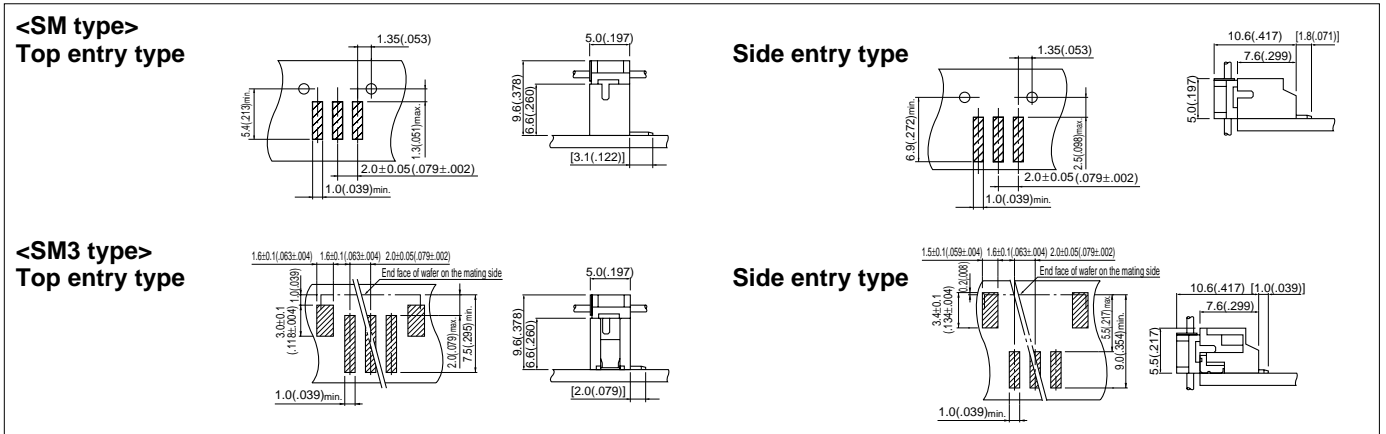
Note:

1. Tolerances are non-cumulative: $\pm 0.05\text{mm} (\pm .002")$ for all centers.
2. Hole dimensions differ according to the kind of PC boards and piercing method. If PC boards made of hard material are used, the hole dimensions should be larger. The dimensions above should serve as a guideline. Contact JST for details.

SMT type shrouded header

The shrouded headers are interchangeable with those of the PH crimp style connectors and with KR and CR insulation displacement connectors.

SMT type PC board layout (viewed from component side) and Assembly layout



Note:

1. Tolerances are non-cumulative: $\pm 0.05\text{mm} (\pm .002")$ for all centers.
2. The dimensions above should serve as a guideline. Contact JST for details.