

## 2-1-1 Transistors for Audio Amplifiers

## ■ Complementary Transistors for Output

P <sub>c</sub> (W)	I <sub>c</sub> (A)	V <sub>CE0</sub> (V)	Chip						Package	Fig. No.
			Single Transistor				Darlington			
			General		LAPT					
30	6	80	2SA1725	2SC4511					TO-220F	1
	6	110					2SB1686	2SD2642	TO-220F	
50	6	80	2SA1726	2SC4512					TO-220	2
	6	110					2SB1659	2SD2589	TO-220	
60	6	80	2SA1693	2SC4466					TO-3P	3
	6	80	2SA1907	2SC5099					TO-3PF	4
	6	110					2SB1685	2SD2641	TO-3P	3
	6	110					2SB1687	2SD2643	TO-3PF	3
75	8	120	2SA1908	2SC5100					TO-3PF	4
	8	150					2SB1587	2SD2438	TO-3PF	
80	8	120	2SA1694	2SC4467					TO-3P	3
	10	140	2SA1909	2SC5101					TO-3PF	4
	8	150					2SB1559	2SD2389	TO-3P	3
	10	150					2SB1588	2SD2439	TO-3PF	3
	14	150			2SA1860	2SC4886			TO-3PF	4
85	15	150					2SB1649	2SD2562	TO-3PF	4
	15	180	2SA1673	2SC4388					TO-3PF	
100	10	140	2SA1695	2SC4468					TO-3P	3
	10	150			2SA1186	2SC2837			TO-3P	
	10	150					2SB1560	2SD2390	TO-3P	
125	14	150			2SA1303	2SC3284			TO-3P	3
130	15	150					2SB1647	2SD2560	TO-3P	
	15	160			2SA1386	2SC3519			TO-3P	
	15	180	2SA1492	2SC3856					TO-3P	
	15	180			2SA1386A	2SC3519A			TO-3P	
150	15	230			2SA1294	2SC3263			TO-3P	
	12	150					2SB1570	2SD2401	MT-200 (2-screw mount)	
	15	160			2SA1215	2SC2921			MT-200 (2-screw mount)	
	15	200	2SA1493	2SC3857					MT-200 (2-screw mount)	
200	17	150					2SB1648	2SD2561	MT-200 (2-screw mount)	5
	17	180			2SA1216	2SC2922			MT-200 (2-screw mount)	
	17	200	2SA1494	2SC3858					MT-200 (2-screw mount)	
	17	230			2SA1295	2SC3264			MT-200 (2-screw mount)	

LAPT: Multi-Emitter for High Frequency

## ■ Complementary Transistors for Output built-in Temperature Compensation

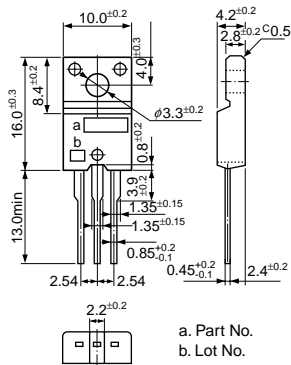
Part No.		P <sub>c</sub> (W)	I <sub>c</sub> (A)	V <sub>CE0</sub> (V)	Package	Fig. No.
SAP09P	SAP09N	80	10	150	Original 5-pin power package	6
SAP10P	SAP10N	100	12	150	Original 5-pin power package	
SAP16P	SAP16N	150	15	160	Original 5-pin power package	

## ■ Transistors for Driver and Temperature Compensation

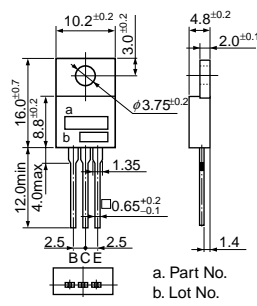
Part No.		P <sub>c</sub> (W)	V <sub>CE0</sub> (V)	I <sub>c</sub> (A)	h <sub>FE</sub> (min)	f <sub>r</sub> (MHz)	Package	Remarks	Fig. No.
2SC4495		25	50	3	500	40	TO-220F	Temperature compensation	1
2SA1859	2SC4883	20	150	2	60	60/120	TO-220F	Driver	
2SA1859A	2SC4883A	20	180	2	60	60/120	TO-220F	Driver	

External Dimensions

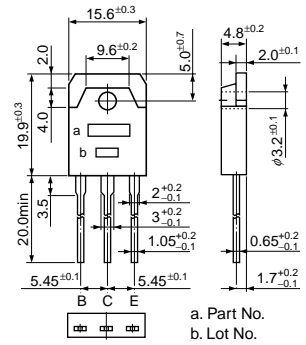
• No. 1 (TO-220F)



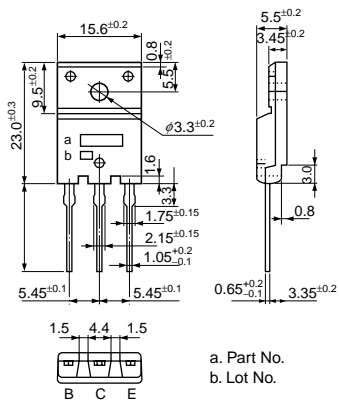
• No. 2 (TO-220)



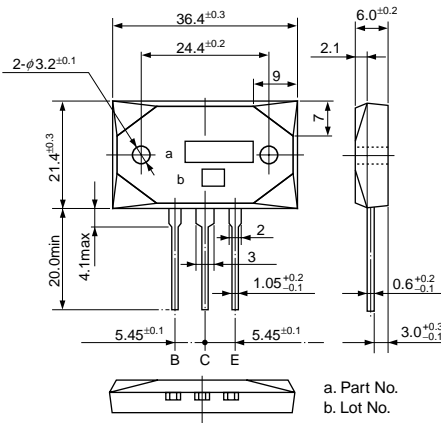
• No. 3 (TO-3P)



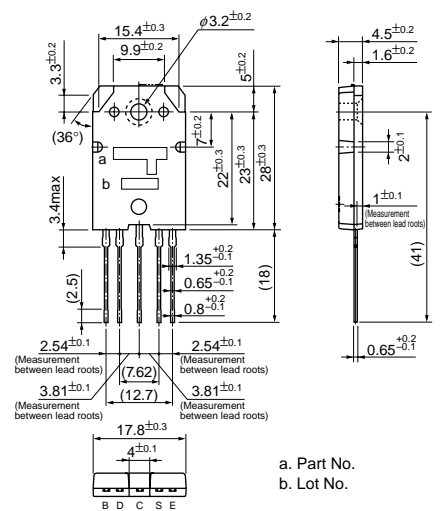
• No. 4 (TO-3PF)



• No. 5 (MT-200)



• No. 6 (SAP)



(unit: mm)