



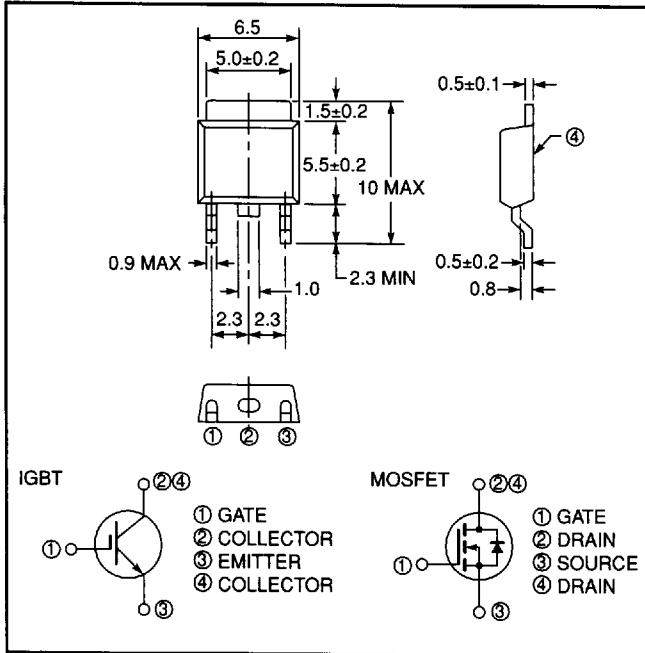
Discrete MOSFET - Low Voltage Trench Gate
4.0V Driver Voltage p-channel MOSFETs

Device Number	Maximum Ratings, T _c = 25°C			Electrical Characteristics					
	V _{DSS} (V)	I _D (A)	V _{GSS} (V)	r _{DS(on)} (mΩ)		V _{GS(th)} (V)	C _{iss} (pF)	Package	
				Typ.	Max.			Outline	Page
FX6ASJ-03	-30	-6	±15	230	290	-1.8	550	MP-3	31
FX6KMJ-03	-30	-6	±15	230	290	-1.8	550	TO-220FN	31
FX6UMJ-03	-30	-6	±15	230	290	-1.8	550	TO-220	31
FX6VSJ-03	-30	-6	±15	230	290	-1.8	550	TO-220S	31
FX20ASJ-03	-30	-20	±15	110	130	-1.8	1130	MP-3	31
FX20KMJ-03	-30	-20	±15	110	130	-1.8	1130	TO-220FN	31
FX20UMJ-03	-30	-20	±15	110	130	-1.8	1130	TO-220	31
FX20VSJ-03	-30	-20	±15	110	130	-1.8	1130	TO-220S	31
FX30ASJ-03	-30	-30	±15	48	61	-1.8	2460	MP-3	31
FX30KMJ-03	-30	-30	±15	48	61	-1.8	2460	TO-220FN	31
FX30UMJ-03	-30	-30	±15	48	61	-1.8	2460	TO-220	31
FX30VSJ-03	-30	-30	±15	48	61	-1.8	2460	TO-220S	31
FX30SMJ-03	-30	-30	±15	48	61	-1.8	2460	TO-3P	32
FX50KMJ-03	-30	-50	±15	28	35	-1.8	4270	TO-220FN	31
FX50UMJ-03	-30	-50	±15	28	35	-1.8	4270	TO-220	31
FX50VSJ-03	-30	-50	±15	28	35	-1.8	4270	TO-220S	31
FX50SMJ-03	-30	-50	±15	28	35	-1.8	4270	TO-3P	32
FX70KMJ-03	-30	-70	±15	19	25	-1.8	11140	TO-220FN	31
FX70UMJ-03	-30	-70	±15	19	25	-1.8	11140	TO-220	31
FX70VSJ-03	-30	-70	±15	19	25	-1.8	11140	TO-220S	31
FX70SMJ-03	-30	-70	±15	19	25	-1.8	11140	TO-3P	32
FX3ASJ-06	-60	-3	±15	350	460	-1.8	520	MP-3	31
FX3KMJ-06	-60	-3	±15	350	460	-1.8	520	TO-220FN	31
FX3UMJ-06	-60	-3	±15	350	460	-1.8	520	TO-220	31
FX3VSJ-06	-60	-3	±15	350	460	-1.8	520	TO-220S	31
FX6ASJ-06	-60	-6	±15	160	210	-1.8	1040	MP-3	31
FX6KMJ-06	-60	-6	±15	160	210	-1.8	1040	TO-220FN	31
FX6UMJ-06	-60	-6	±15	160	210	-1.8	1040	TO-220	31
FX6VSJ-06	-60	-6	±15	160	210	-1.8	1040	TO-220S	31
FX6SMJ-06	-60	-6	±15	160	210	-1.8	1040	TO-3P	32
FX20ASJ-06	-60	-20	±15	73	97	-1.8	2370	MP-3	31
FX20KMJ-06	-60	-20	±15	73	97	-1.8	2370	TO-220FN	31
FX20UMJ-06	-60	-20	±15	73	97	-1.8	2370	TO-220	31
FX20VSJ-06	-60	-20	±15	73	97	-1.8	2370	TO-220S	31
FX20SMJ-06	-60	-20	±15	73	97	-1.8	2370	TO-3P	32
FX30KMJ-06	-60	-30	±15	41	54	-1.8	4210	TO-220FN	31
FX30UMJ-06	-60	-30	±15	41	54	-1.8	4210	TO-220	31
FX30VSJ-06	-60	-30	±15	41	54	-1.8	4210	TO-220S	31
FX30SMJ-06	-60	-30	±15	41	54	-1.8	4210	TO-3P	32
FX50KMJ-06	-60	-50	±15	15	19	-1.8	11610	TO-220FN	31
FX50UMJ-06	-60	-50	±15	15	19	-1.8	11610	TO-220	31
FX50VSJ-06	-60	-50	±15	15	19	-1.8	11610	TO-220S	31
FX50SMJ-06	-60	-50	±15	15	19	-1.8	11610	TO-3P	32

r_{DS(on)} (mΩ) - shows maximum value of on-resistance at V_{GS} = 10V

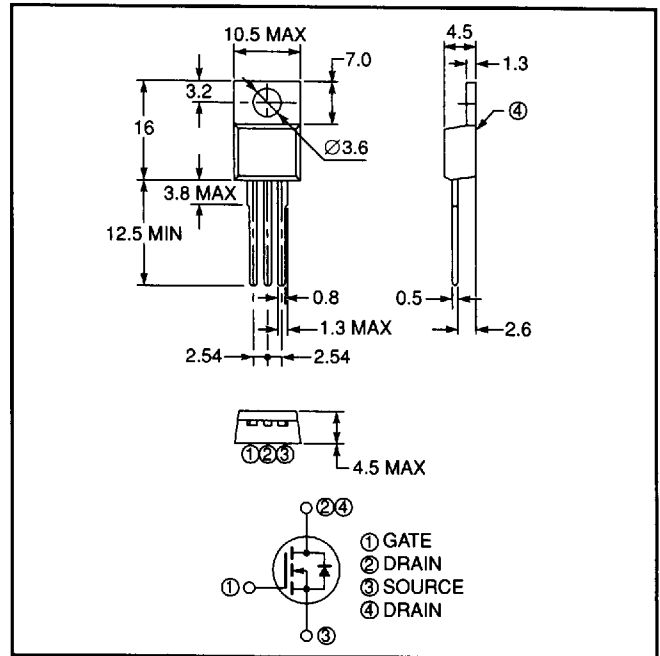
Device Outline Drawings

MP-3



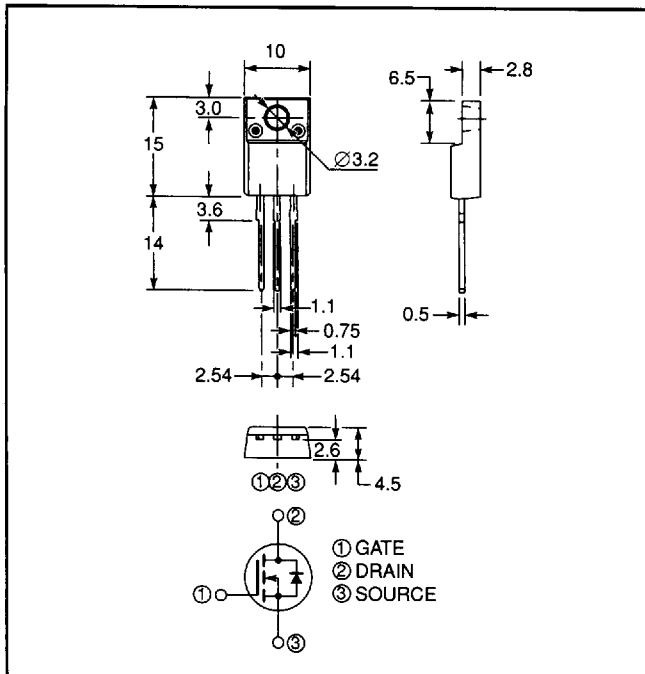
IGBT CT**AS-8
 MOSFET FS**AS-8

TO-220



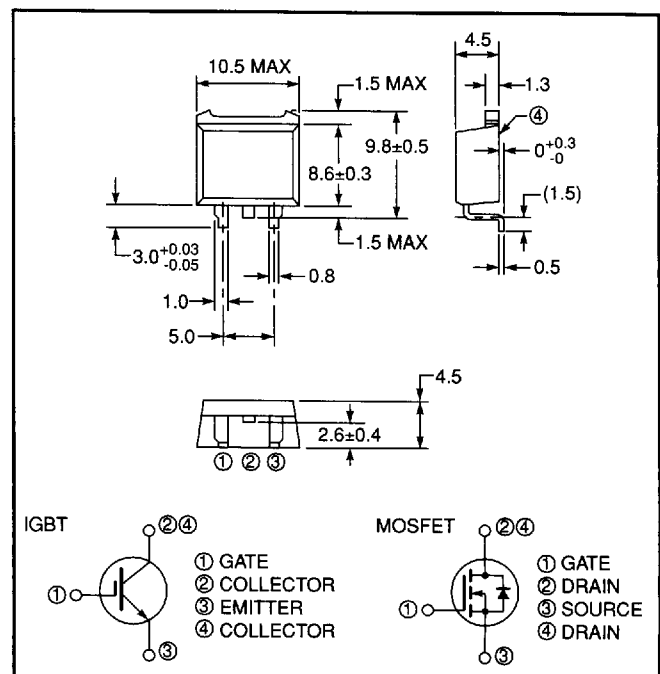
MOSFET FK**UM-**, FS**UM-**

TO-220FN



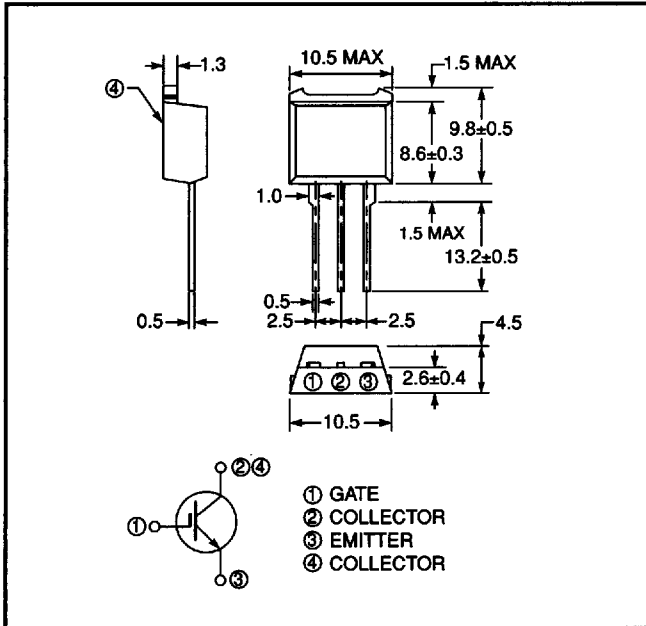
MOSFET FK**KM-**, FS**KM-**

TO-220S



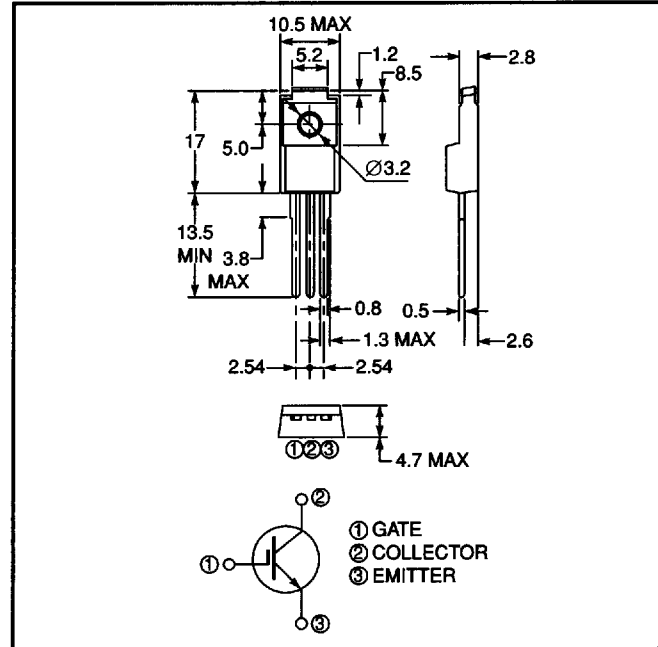
IGBT CT**VS-8
 MOSFET FK**VS-**, FS**VS-**

TO-220C



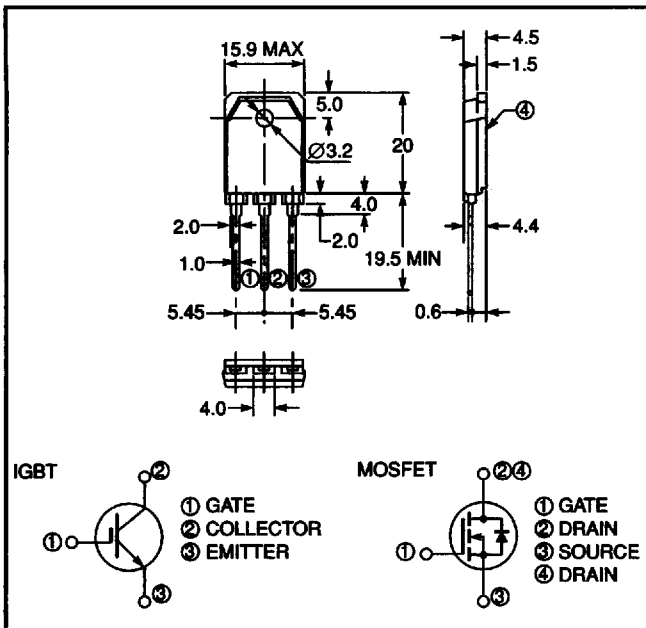
IGBT CT**VM-8

TO-220F



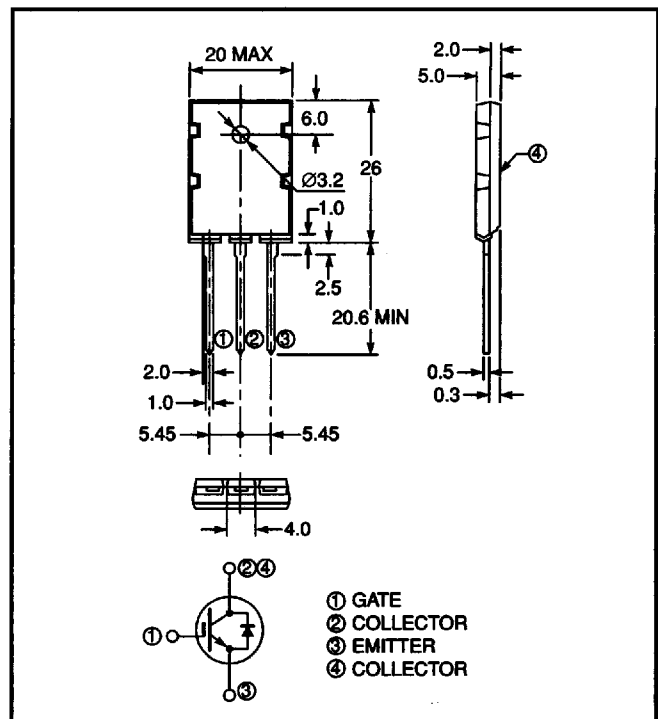
IGBT CT**TM-**

TO-3P



IGBT CT**SM-8
 MOSFET FK**SM-**, FS**SM-**

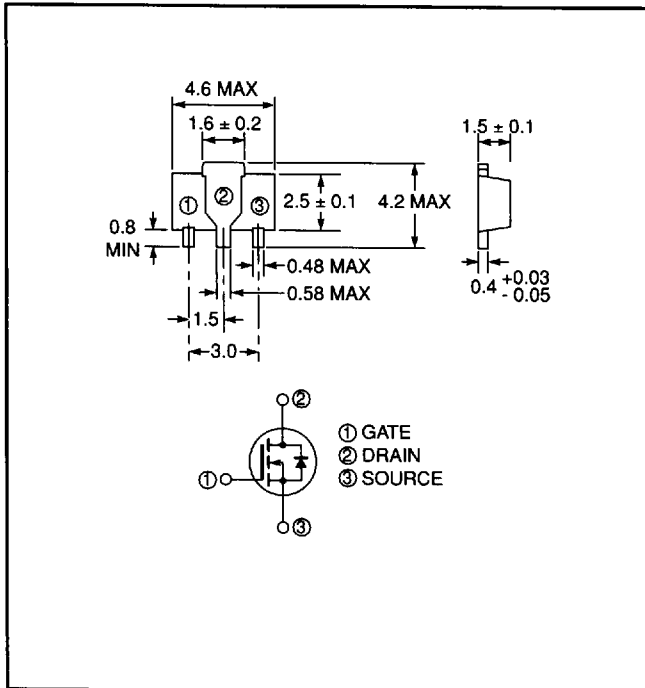
TO-3PL



IGBT CT**AM-**

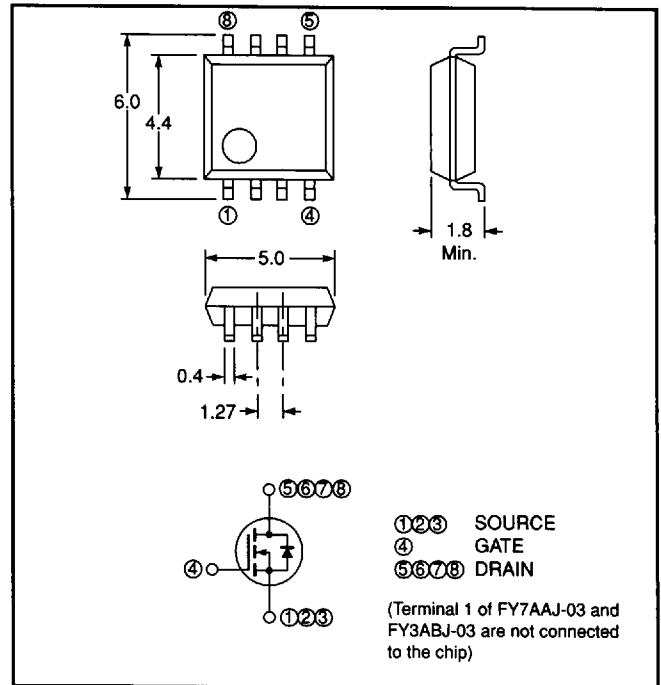
Device Outline Drawings

SOT-89



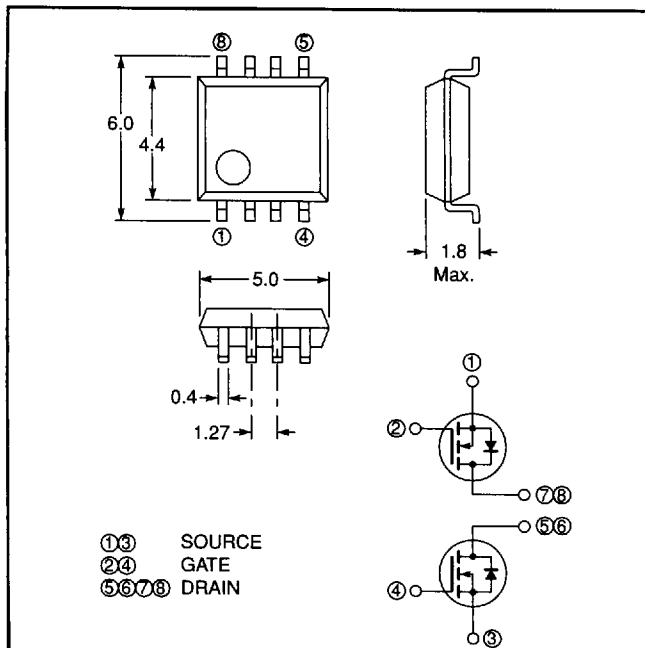
MOSFET FS**, FX**

SOP-8 (Single)



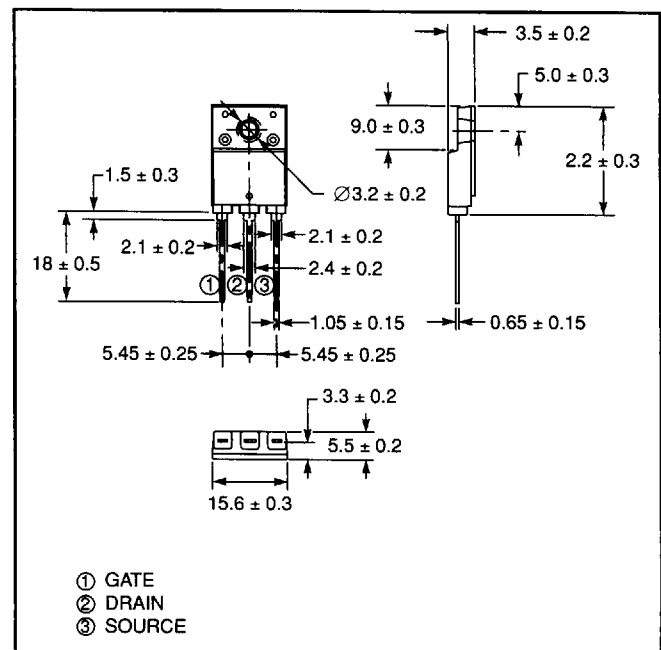
MOSFET FY**

SOP-8 (Dual)



MOSFET FY**

TO-3PF



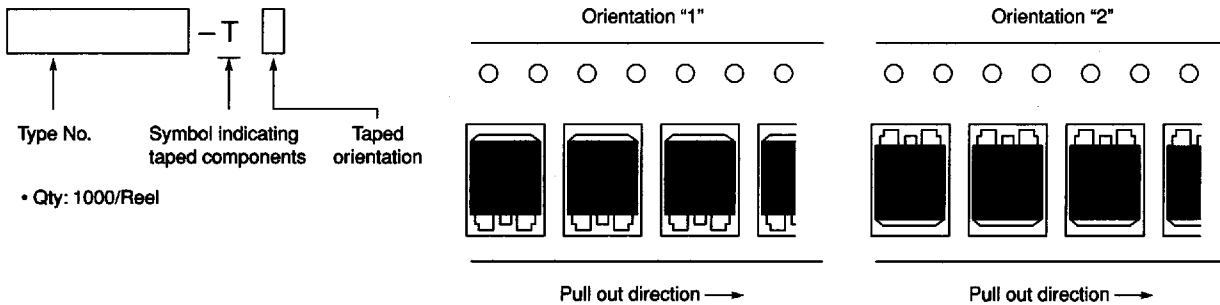
MOSFET FS**RM-**

MOSFET Packing Quantities and Types

Package	Outline Code	Packing	Minimum Quantity per Package
TO-220	UM	Bag	100
TO-220FN	KM	Tube	50
TO-220S	VS	Bag	100
TO-220S	VS	Reel	1000
TO-3P	SM	Bag	20
MP-3	AS	Bag	500
MP-3	AS	Reel	3000
SOP-8	FY	Reel	3000

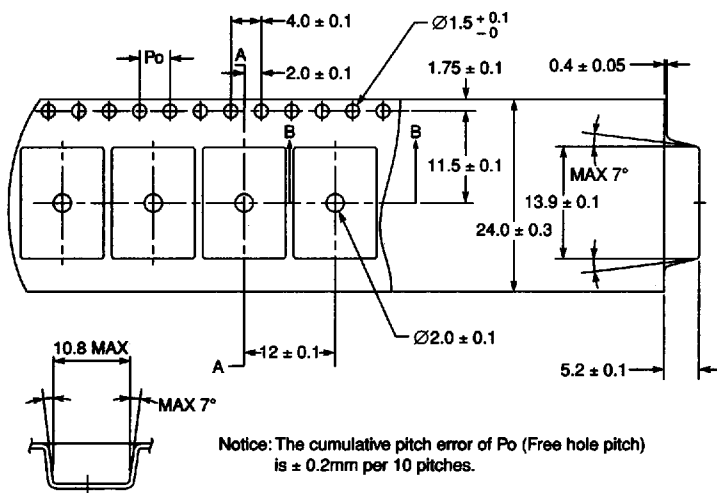
TO-220S Taping

(a) Marking

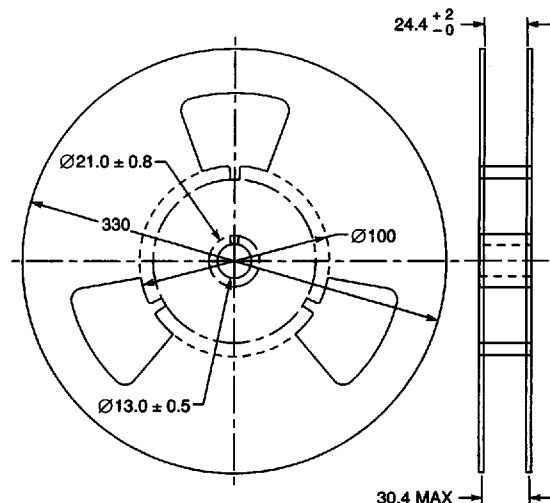


(b) Taping

• Tape Shape and Dimensions

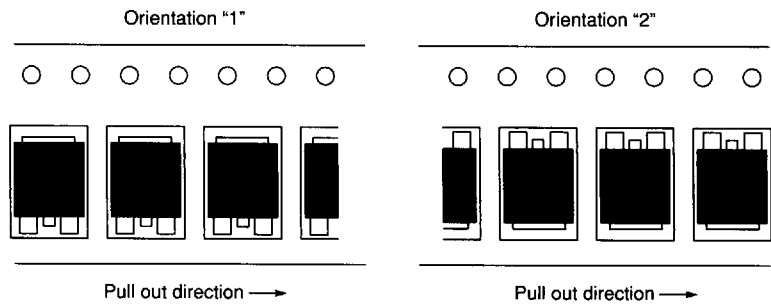
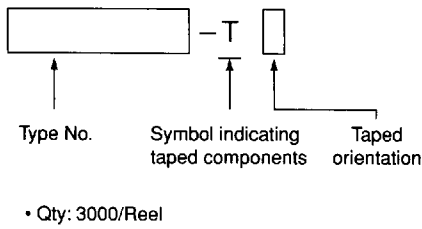


• Reel Shape and Dimensions



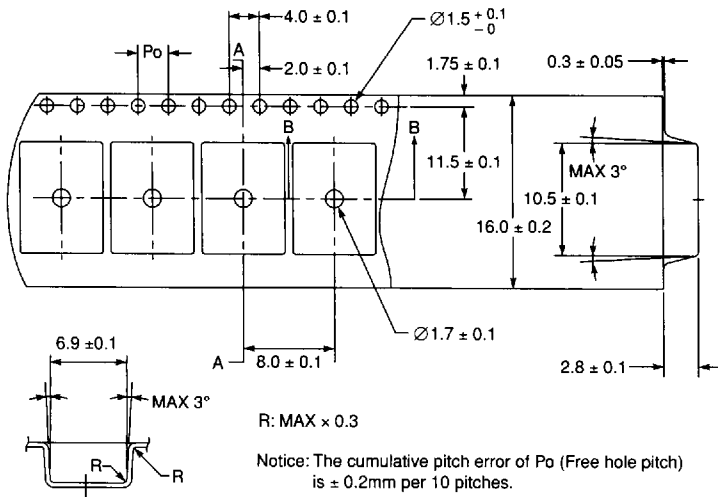
MP-3 Taping

(a) Marking

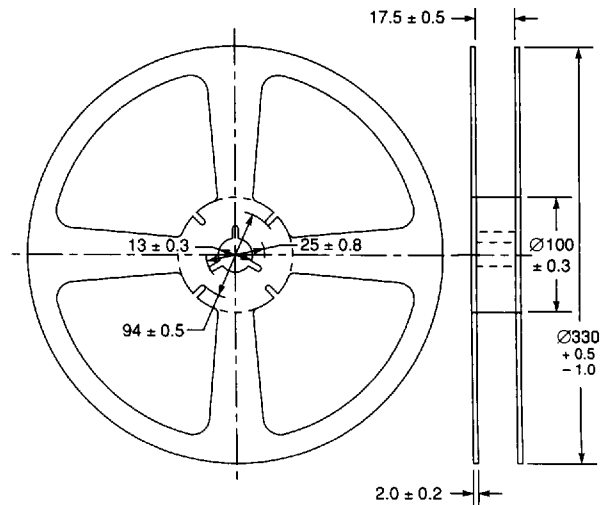


(b) Taping

• Tape Shape and Dimensions

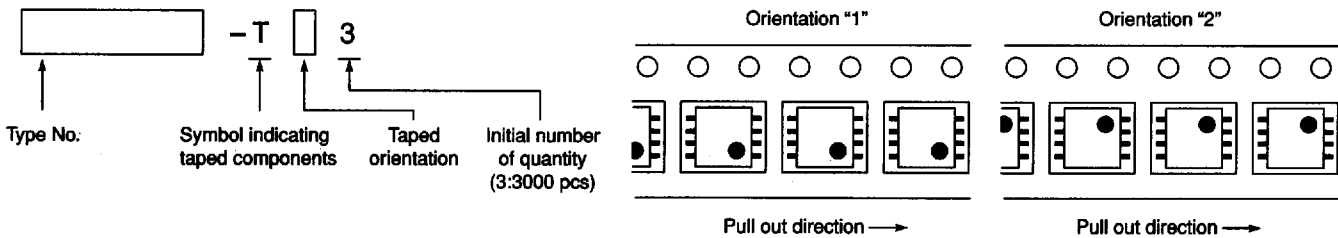


• Reel Shape and Dimensions



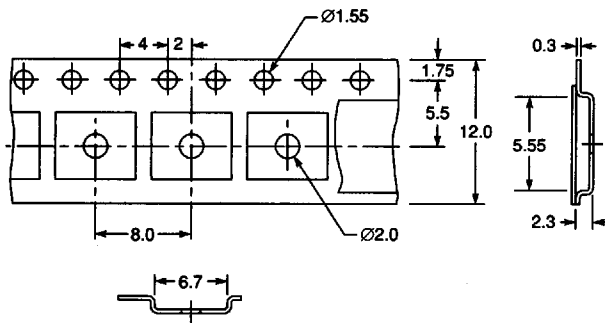
SOP-8 Taping

(a) Marking

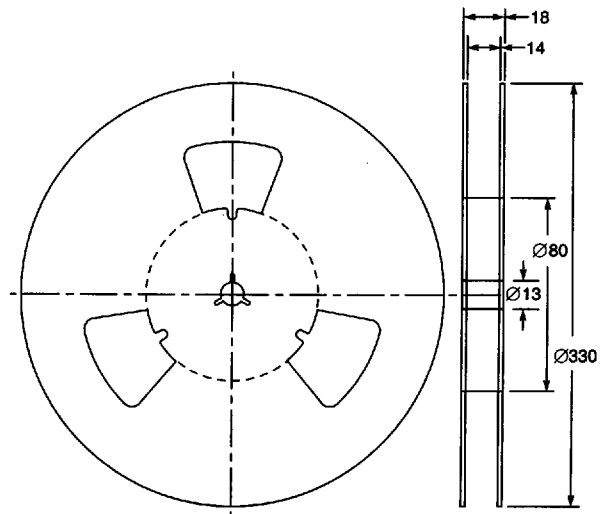


(b) Taping

- Tape Shape and Dimensions

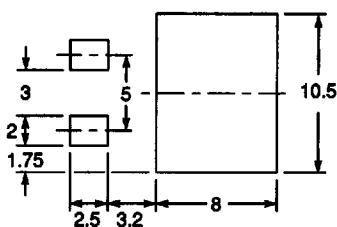


- Reel Shape and Dimensions

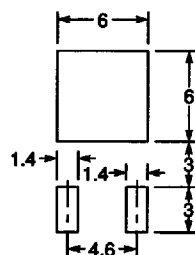


Recommended Mounting Pad

TO-220S Package



MP-3 Package



SOP-8 Package

