

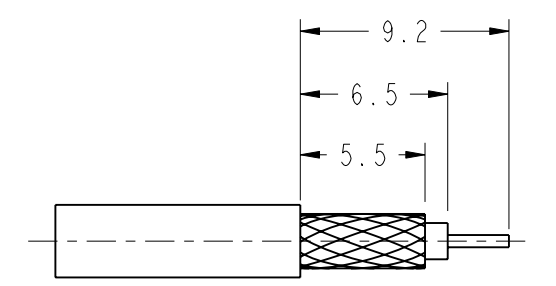
NOTES:

1. MATERIALS AND FINISHES(MICRO-INCHES)
 - BODY = ZINC DIECAST (PER ASTM-B86, UNS Z33520) NICKEL PL. (150 MIN.) THICK OVER COPPER PL. (100 MIN.) THICK
 - INSULATOR HOUSING = PTFE PER ASTM D1710, COLOR: NATURAL.
 - HOUSING = NYLON 46, 30% GLASS FILLED, PER KDF, AKROMID A GRADE A3GF14, COLOR PER AMPHENOL SPEC. 349-50688 (REFER TO TABLE BELOW FOR KEY CODE)
 - FERRULE = COPPER (PER ASTM-B75,UNS C11000 OR C12200) NICKEL PL. 100 MIN. THICK OVER COPPER STRIKE
- CONTACTS SUPPLIED SEPARATELY AS P/N : FKCP03401A (5000 PCS. REEL)
 FERRULE MAY BE PURCHASED SEPARATELY AS P/N: FKFR00101A (100 PCS. TRAY)
2. ELECTRICAL:
 - A. IMPEDANCE: 50 OHM, NOMINAL
 - B. FREQUENCY RANGE: DC-4.0GHz
 - C. VSWR(RETURN LOSS): 1.400(-15.6dB) MAX.
 - D. DIELECTRIC WITHSTANDING VOLTAGE:800 VRMS, MIN.
3. MECHANICAL:
 - A. DURABILITY: 100 CYCLES MIN.
 - B. TEMPERATURE RANGE: -40° C TO 100° C
4. PACKAGING:
 - A. QUANTITY: TRAY PACK
 - B. MARKING: TRAY TO BE MARKED "AMPHENOL, 2FAI-NXSP-C01WI, AND DATE CODE"
5. CRIMPED FERRULE HEX CRIMP SIZE .128"
 CRIMP CONTACT ONTO CABLE PER 349-50747

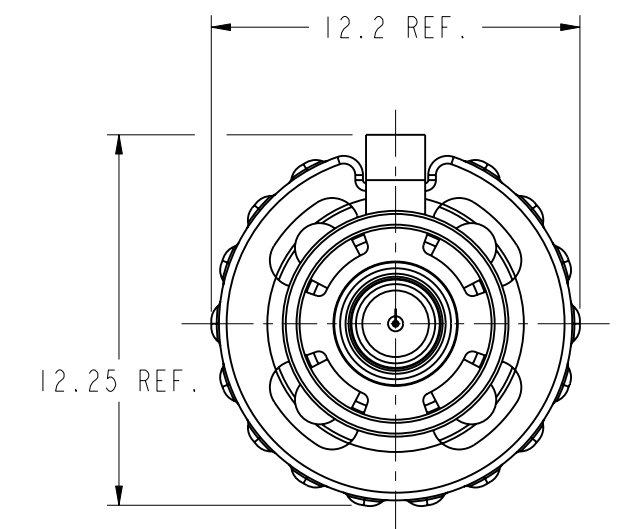
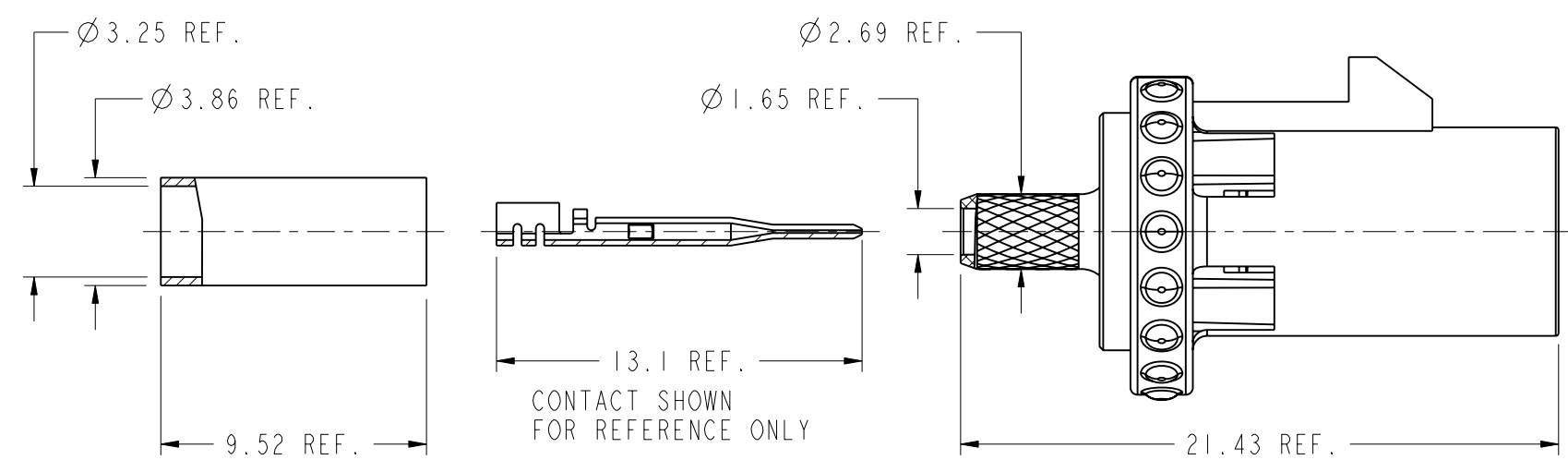
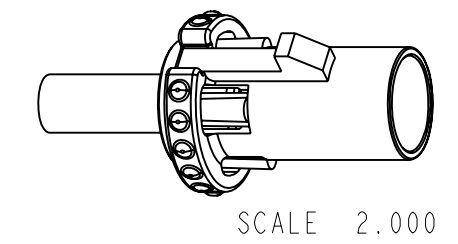
THIRD ANGLE PROJ.

REVISIONS

REV	DESCRIPTION	DATE	ECO	APPR
A	RELEASE TO MFG.	11-SEP-08	-----	JL
B	UPDATED THE CABLE STRIPPING DIM'S; THE BODY WAS CHANGED; \RD-DM09033001A\	01-Apr-09	-----	SH



RECOMMENDED CABLE STRIPPING DIM'S



CODING	DRAWING NO.	COLOR	RAL NO.
A	2FAI-NASP-C01WI	JET BLACK	9005
B	2FAI-NBSP-C01WI	CREAM	9001
C	2FAI-NCSP-C01WI	SIGNAL BLUE	5005
D	2FAI-NDSP-C01WI	CLARET VIOLET	4004
E	2FAI-NESP-C01WI	LEAF GREEN	6002
F	2FAI-NFSP-C01WI	NUT BROWN	8011
G	2FAI-NGSP-C01WI	BLUE GREY	7031
H	2FAI-NHSP-C01WI	HEATHER VIOLET	4003
I	2FAI-NISP-C01WI	BEIGE	1001
K	2FAI-NKSP-C01WI	CURRY	1027
L	2FAI-NLSP-C01WI	CARMINE RED	3002
M	2FAI-NMSP-C01WI	PASTEL ORANGE	2003
N	2FAI-NNSP-C01WI	PASTEL GREEN	6019
Z	2FAI-NZSP-C01WI	WATER BLUE	5021

CONFIGURATION CONTROL:
 NO CHANGES PERMITTED TO DRAWING WITHOUT
 PPAP QUALIFIED CUSTOMER APPROVAL

CUSTOMER OUTLINE DRAWING
 ALL OTHER SHEETS ARE FOR INTERNAL USE ONLY

UNLESS OTHERWISE SPECIFIED, DIMENSIONS ARE IN METRIC AND TOLERANCES ARE: 0.5 - 6mm ±0.1mm 6 - 30mm ±0.2mm 30 - 120mm ± 0.3mm ANGLES ±1°	MATERIAL	DRAWN	DATE	TITLE FAKRA (GEN II) PLUG, C01 CABLE GROUP WITH STAMPED CONTACT		Amphenol RF Danbury CT USA, Tainan, Taiwan, Shenzhen, China www.amphenolrf.com	
	REFERENCE	ENGINEER	DATE				
NOTICE - These drawings, specifications, or other data (1) are, and remain the property of Amphenol corp. (2) must be returned upon request; and (3) are confidential and not to be disclosed to any person other than those to whom they are given by Amphenol Corp. the furnishing of these drawings, specifications, or other data by Amphenol Corp., or to any other person to anyone for any purpose is not to be regarded by implication or otherwise in any manner licensing, granting rights to permitting such holder or any other sperson to manufacture, use or sell any product, process or design, patented or otherwise, that may in any way be related to or disclosed by said drawings, specifications, or other data.	EAR # 03142 AND	APPROVED	DATE	SCALE: 3.0:1.0	SHEET 2 OF 2	DRAWING NO. 2FAI-NXSP-C01WI	
	CONFIGURATION LEVEL:	B.C.GLEISSNER	11-SEP-08	DWG SIZE	CODE ID	REV	ITEM NO. 2FAI-NXSP-C01WI
FINISH	I:\FAKRA\2FAI-NXSP-C01WI			B	74868	B	PART NO. 2FAI-NXSP-C01WI