

Octal inverting buffer, (3-State) Octal buffer, (3-State)

54F240
54F241

FEATURES

- 3-state buffer outputs sink 48mA and source 12mA
- Octal bus interface

DESCRIPTION

The 54F240 and 54F241 are octal buffers that are ideal for driving bus lines or buffer memory address registers. The outputs are all capable of sinking 48mA and sourcing up to 12mA, producing very good capacitive drive characteristics. The device features two output enables, (OE), each controlling four of the 3-state outputs.

ORDERING INFORMATION

DESCRIPTION	ORDER CODE	PACKAGE DESIGNATOR*
20-Pin Ceramic DIP	54F240/BRA, 54F241/BRA	GDIP1-T20 GDIP1-T20
20-Pin Ceramic Flat Pack	54F240/BSA, 54F241/BSA	GDFF2-F20 GDFF2-F20
20-Pin Ceramic LLCC	54F240/B2A, 54F241/B2A	CQCC2-N20 CQCC2-N20

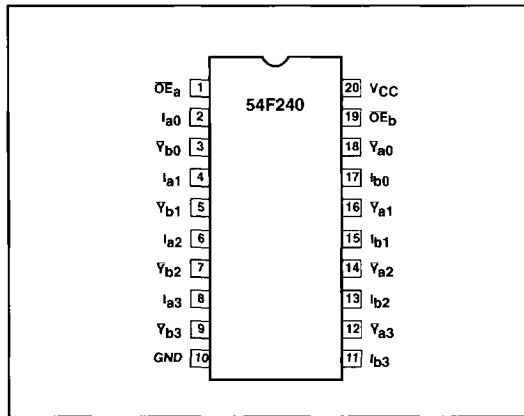
* MIL-STD 1835 or Appendix A of 1995 Military Data Handbook

INPUT AND OUTPUT LOADING AND FAN-OUT TABLE

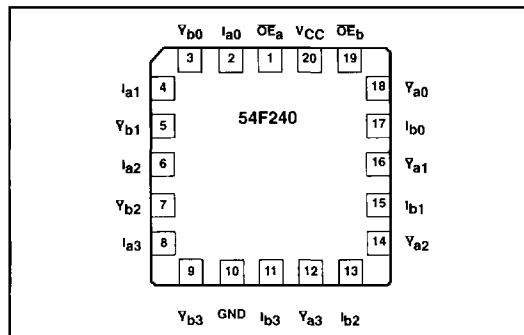
PINS	DESCRIPTION	54F(U.L.) HIGH/LOW	LOAD VALUE HIGH/LOW
I _{aN} - I _{bN}	Data inputs (54F240)	1.0/1.67	20μA/1.0mA
I _{aN} - I _{bN}	Data inputs (54F241)	1.0/2.67	20μA/1.6mA
OE _a , OE _b	Output Enable inputs (Active High)	1.0/1.67	20μA/1.0mA
OE _b	3-State Output Enable input (Active Low)	1.0/1.67	20μA/1.0mA
Y _{an} , Y _{bn}	Data outputs (54F240)	600/80	12mA/48mA
Y _{an} , Y _{bn}	Data outputs (54F241)	600/80	12mA/48mA

NOTE: One (1.0) FAST Unit Load (U.L.) is defined as: 20μA in the High state and 0.6mA in the Low state.

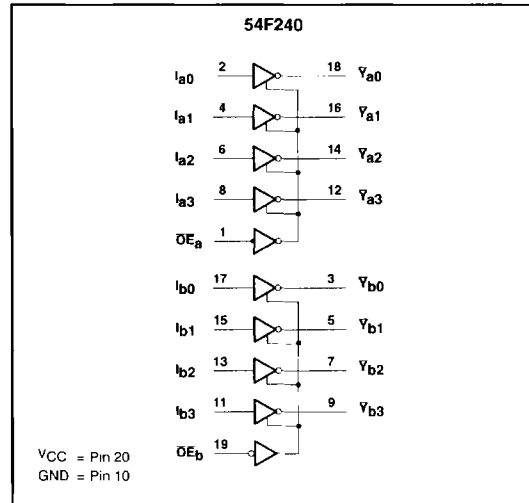
PIN CONFIGURATION



LLCC LEAD CONFIGURATION



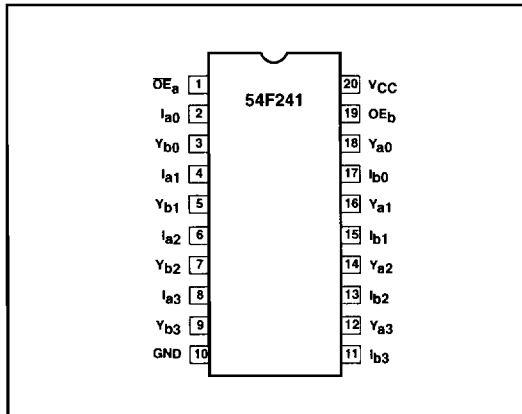
LOGIC SYMBOL



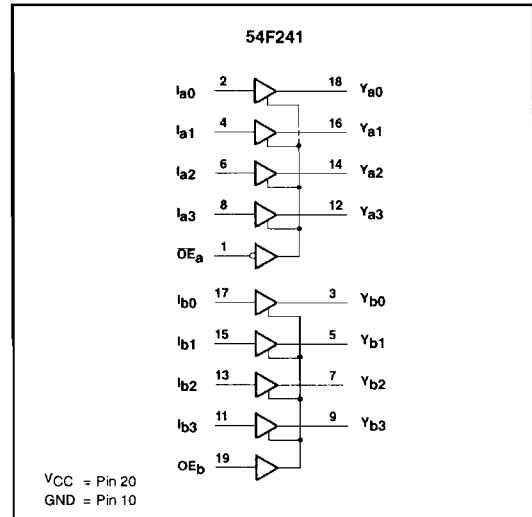
Octal inverting buffer, (3-State)
Octal buffer, (3-State)

54F240
54F241

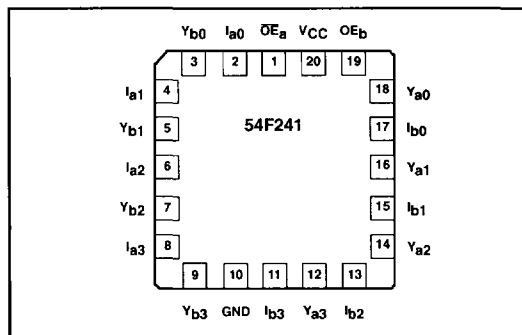
PIN CONFIGURATION



LOGIC SYMBOL



LLCC LEAD CONFIGURATION



FUNCTION TABLE, 54F240

INPUTS				OUTPUTS	
OE _a	I _a	OE _b	I _b	Y _a	Y _b
L	L	L	L	H	H
L	H	L	H	L	L
H	X	H	X	Z	Z

H = High voltage level
L = Low voltage level
X = Don't care
Z = High impedance "OFF" state

FUNCTION TABLE, 54F241

INPUTS				OUTPUTS	
OE _a	I _a	OE _b	I _b	Y _a	Y _b
L	L	H	L	L	L
L	H	H	H	H	H
H	X	L	X	Z	Z

H = High voltage level
L = Low voltage level
X = Don't care
Z = High impedance "OFF" state

ABSOLUTE MAXIMUM RATINGS

(Operation beyond the limits set forth in this table may impair the useful life of the device. Unless otherwise noted these limits are over the operating free-air temperature range.)

SYMBOL	PARAMETER	RATING	UNIT
V _{CC}	Supply voltage range	-0.5 to +7.0	V
V _I	Input voltage range	-0.5 to +7.0	V
I _I	Input current range	-30 to +5	mA
V _O	Voltage applied to output in High output state range	-0.5 to V _{CC}	V
I _O	Current applied to output in Low output state	96	mA
T _{STG}	Storage temperature range	-65 to +150	°C

Octal inverting buffer, (3-State)
Octal buffer, (3-State)

54F240
54F241

RECOMMENDED OPERATING CONDITIONS

SYMBOL	PARAMETER	LIMITS			UNIT
		Min	Typ	Max	
V _{CC}	Supply voltage	4.5	5.0	5.5	V
V _{IH}	High-level input voltage	2.0			V
V _{IL}	Low-level input voltage			0.8	V
I _{IK}	Input clamp current			-18	mA
I _{OH1}	High-level output current			-1	mA
I _{OH2}	High-level output current			-3	mA
I _{OH3}	High-level output current			-12	mA
I _{OL}	Low-level output current			48	mA
T _A	Operating free-air temperature range	-55		+125	°C

DC ELECTRICAL CHARACTERISTICS

(Over recommended operating free-air temperature range unless otherwise noted.)

SYMBOL	PARAMETER	TEST CONDITIONS ⁵	LIMITS			UNIT	
			Min	Typ ⁶	Max		
V _{OH}	High-level output voltage	V _{CC} = Min, I _{OH1} = -1mA	2.5			V	
		V _{IL} = Max, I _{OH2} = -3mA	2.4			V	
		V _{IH} = Min, I _{OH3} = -12mA	2.0			V	
V _{OL}	Low-level output voltage	V _{CC} = Min, V _{IL} = Max, I _{OL} = Max, V _{IH} = Min		0.35	0.50	V	
V _{IK}	Input clamp voltage	V _{CC} = Min, I _I = I _{IK}		-0.73	-1.2	V	
I _{IH2}	Input current at maximum input voltage	V _{CC} = Max, V _I = 7.0V			0.1	mA	
I _{IH1}	High-level input current	V _{CC} = Max, V _I = 2.7V		1	20	µA	
I _{IL}	Low-level input current	V _{CC} = Max, V _I = 0.5V		-0.6	-1.0	mA	
				-0.6	-1.6	mA	
I _{OZH}	Off-state output current	V _{CC} = Max, V _{IH} = Min, V _O = 2.7V		2	50	µA	
I _{OZL}	Off-state output current	V _{CC} = Max, V _{IH} = Min, V _O = 0.5V		-2	-50	µA	
I _{OS}	Short-circuit output current ⁷	V _{CC} = Max, V _O = 0.0V	-100	-150	-225	mA	
I _{CC}	Supply current ⁸ (total)	I _{CCH}	V _{CC} = Max 54F240		12	29	mA
		I _{CCL}			50	75	mA
		I _{CCZ}			35	63	mA
		I _{CCH}	V _{CC} = Max 54F241		40	60	mA
		I _{CCL}			60	90	mA
		I _{CCZ}			60	90	mA

Octal inverting buffer, (3-State)
Octal buffer, (3-State)

54F240
54F241

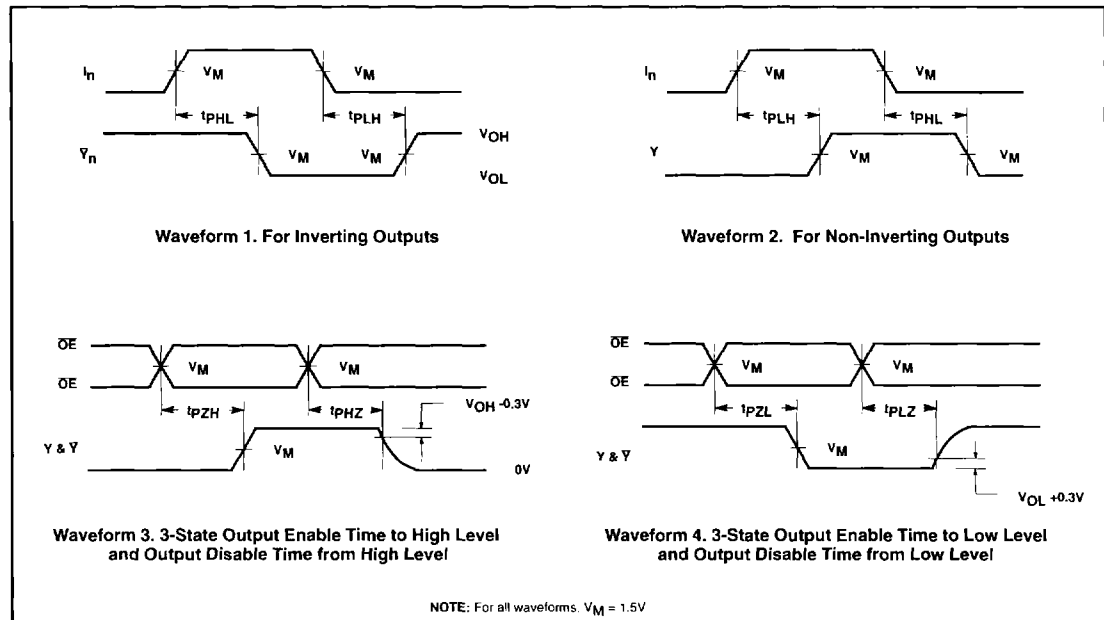
AC ELECTRICAL CHARACTERISTICS

SYMBOL	PARAMETER	TEST CONDITIONS	LIMITS					UNIT
			T _A = +25°C V _{CC} = +5.0V C _L = 50pF, R _L = 500Ω			T _A = -55°C to +125°C V _{CC} = +5.0V ± 10% C _L = 50pF, R _L = 500Ω		
			Min	Typ	Max	Min	Max	
t _{PLH} t _{PHL}	Propagation delay Data to output (54F240)	Waveform 1	3.0 2.0	4.5 3.0	6.5 4.5	3.0 1.5	9.0 5.5	ns ns
t _{PZH} t _{PZL}	Output Enable time (54F240)	Waveform 3 Waveform 4	3.0 4.5	5.0 6.5	7.5 8.5	2.0 4.0	9.5 10.5	ns ns
t _{PHZ} t _{PLZ}	Output Disable time (54F240)	Waveform 3 Waveform 4	3.0 3.0	5.5 5.0	7.0 7.0	2.5 2.5	8.0 8.5	ns ns
t _{PLH} t _{PHL}	Propagation delay Data to output (54F241)	Waveform 2	2.5 2.5	4.0 4.0	5.2 5.2	2.5 2.5	6.5 7.0	ns ns
t _{PZH} t _{PZL}	Output Enable time (54F241)	Waveform 3 Waveform 4	2.0 2.0	4.0 5.0	5.7 7.0	2.0 2.0	7.0 8.5	ns ns
t _{PHZ} t _{PLZ}	Output Disable time (54F241)	Waveform 3 Waveform 4	2.0 2.0	4.0 4.0	6.0 6.0	2.0 2.0	7.0 7.5	ns ns

NOTES:

- For conditions shown as Min or Max, use the appropriate value specified under recommended operating conditions for the applicable type and the functional table for the applicable operating mode.
- All typical values are at V_{CC} = 5V, T_A = 25°C.
- Not more than one output should be shorted at a time.
- I_{CC} is measured with outputs open.

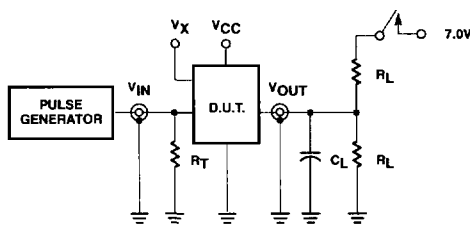
AC WAVEFORMS



Octal inverting buffer, (3-State)
 Octal buffer, (3-State)

54F240
 54F241

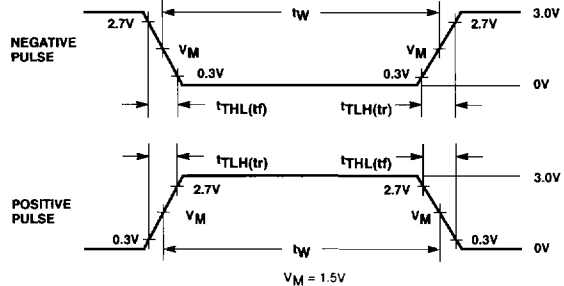
TEST CIRCUIT AND WAVEFORMS



Test Circuit for 3-State Outputs

SWITCH POSITION

TEST	SWITCH
t_{pLZ}	closed
t_{pZL}	closed
All other	open



Input Pulse Definitions

INPUT PULSE CHARACTERISTICS

Family	Rep. Rate	Pulse Width	t_{TLH}	t_{THL}
54F	1MHz	500ns	≤ 2.5 ns	≤ 2.5 ns

DEFINITIONS:

- R_L = Load Resistor; see AC Characteristics for value.
- C_L = Load capacitance includes jig and probe capacitance; see AC Characteristics for value.
- R_T = Termination resistance should be equal to Z_{OUT} of pulse generators.
- V_X = Unlocked pins must be held at: $\leq 0.8V$; $\geq 2.7V$ or open per Function Table.