

To our customers,

---

## Old Company Name in Catalogs and Other Documents

---

On April 1<sup>st</sup>, 2010, NEC Electronics Corporation merged with Renesas Technology Corporation, and Renesas Electronics Corporation took over all the business of both companies. Therefore, although the old company name remains in this document, it is a valid Renesas Electronics document. We appreciate your understanding.

Renesas Electronics website: <http://www.renesas.com>

April 1<sup>st</sup>, 2010  
Renesas Electronics Corporation

Issued by: Renesas Electronics Corporation (<http://www.renesas.com>)

Send any inquiries to <http://www.renesas.com/inquiry>.

## Notice

1. All information included in this document is current as of the date this document is issued. Such information, however, is subject to change without any prior notice. Before purchasing or using any Renesas Electronics products listed herein, please confirm the latest product information with a Renesas Electronics sales office. Also, please pay regular and careful attention to additional and different information to be disclosed by Renesas Electronics such as that disclosed through our website.
2. Renesas Electronics does not assume any liability for infringement of patents, copyrights, or other intellectual property rights of third parties by or arising from the use of Renesas Electronics products or technical information described in this document. No license, express, implied or otherwise, is granted hereby under any patents, copyrights or other intellectual property rights of Renesas Electronics or others.
3. You should not alter, modify, copy, or otherwise misappropriate any Renesas Electronics product, whether in whole or in part.
4. Descriptions of circuits, software and other related information in this document are provided only to illustrate the operation of semiconductor products and application examples. You are fully responsible for the incorporation of these circuits, software, and information in the design of your equipment. Renesas Electronics assumes no responsibility for any losses incurred by you or third parties arising from the use of these circuits, software, or information.
5. When exporting the products or technology described in this document, you should comply with the applicable export control laws and regulations and follow the procedures required by such laws and regulations. You should not use Renesas Electronics products or the technology described in this document for any purpose relating to military applications or use by the military, including but not limited to the development of weapons of mass destruction. Renesas Electronics products and technology may not be used for or incorporated into any products or systems whose manufacture, use, or sale is prohibited under any applicable domestic or foreign laws or regulations.
6. Renesas Electronics has used reasonable care in preparing the information included in this document, but Renesas Electronics does not warrant that such information is error free. Renesas Electronics assumes no liability whatsoever for any damages incurred by you resulting from errors in or omissions from the information included herein.
7. Renesas Electronics products are classified according to the following three quality grades: “Standard”, “High Quality”, and “Specific”. The recommended applications for each Renesas Electronics product depends on the product’s quality grade, as indicated below. You must check the quality grade of each Renesas Electronics product before using it in a particular application. You may not use any Renesas Electronics product for any application categorized as “Specific” without the prior written consent of Renesas Electronics. Further, you may not use any Renesas Electronics product for any application for which it is not intended without the prior written consent of Renesas Electronics. Renesas Electronics shall not be in any way liable for any damages or losses incurred by you or third parties arising from the use of any Renesas Electronics product for an application categorized as “Specific” or for which the product is not intended where you have failed to obtain the prior written consent of Renesas Electronics. The quality grade of each Renesas Electronics product is “Standard” unless otherwise expressly specified in a Renesas Electronics data sheets or data books, etc.
  - “Standard”: Computers; office equipment; communications equipment; test and measurement equipment; audio and visual equipment; home electronic appliances; machine tools; personal electronic equipment; and industrial robots.
  - “High Quality”: Transportation equipment (automobiles, trains, ships, etc.); traffic control systems; anti-disaster systems; anti-crime systems; safety equipment; and medical equipment not specifically designed for life support.
  - “Specific”: Aircraft; aerospace equipment; submersible repeaters; nuclear reactor control systems; medical equipment or systems for life support (e.g. artificial life support devices or systems), surgical implantations, or healthcare intervention (e.g. excision, etc.), and any other applications or purposes that pose a direct threat to human life.
8. You should use the Renesas Electronics products described in this document within the range specified by Renesas Electronics, especially with respect to the maximum rating, operating supply voltage range, movement power voltage range, heat radiation characteristics, installation and other product characteristics. Renesas Electronics shall have no liability for malfunctions or damages arising out of the use of Renesas Electronics products beyond such specified ranges.
9. Although Renesas Electronics endeavors to improve the quality and reliability of its products, semiconductor products have specific characteristics such as the occurrence of failure at a certain rate and malfunctions under certain use conditions. Further, Renesas Electronics products are not subject to radiation resistance design. Please be sure to implement safety measures to guard them against the possibility of physical injury, and injury or damage caused by fire in the event of the failure of a Renesas Electronics product, such as safety design for hardware and software including but not limited to redundancy, fire control and malfunction prevention, appropriate treatment for aging degradation or any other appropriate measures. Because the evaluation of microcomputer software alone is very difficult, please evaluate the safety of the final products or system manufactured by you.
10. Please contact a Renesas Electronics sales office for details as to environmental matters such as the environmental compatibility of each Renesas Electronics product. Please use Renesas Electronics products in compliance with all applicable laws and regulations that regulate the inclusion or use of controlled substances, including without limitation, the EU RoHS Directive. Renesas Electronics assumes no liability for damages or losses occurring as a result of your noncompliance with applicable laws and regulations.
11. This document may not be reproduced or duplicated, in any form, in whole or in part, without prior written consent of Renesas Electronics.
12. Please contact a Renesas Electronics sales office if you have any questions regarding the information contained in this document or Renesas Electronics products, or if you have any other inquiries.

(Note 1) “Renesas Electronics” as used in this document means Renesas Electronics Corporation and also includes its majority-owned subsidiaries.

(Note 2) “Renesas Electronics product(s)” means any product developed or manufactured by or for Renesas Electronics.

# M62320GP

## 8-bit I/O Expander for I<sup>2</sup>C BUS

REJ03D0909-0100

Rev.1.00

Mar 25, 2008

### Description

The M62320GP is a CMOS 8-bit I/O expander, which has serial to parallel and parallel to serial data converting functions.

It can communicate with a microcontroller via few wiring thanks to the adoption of the two-line I<sup>2</sup>C BUS.

Parallel data I/O terminal can be set to input or output mode alternatively in individual bits.

Maximum 8 ICs can be connected to a bus by using three chip-select pins, so that it is possible to handle up to 64 bits data.

### Features

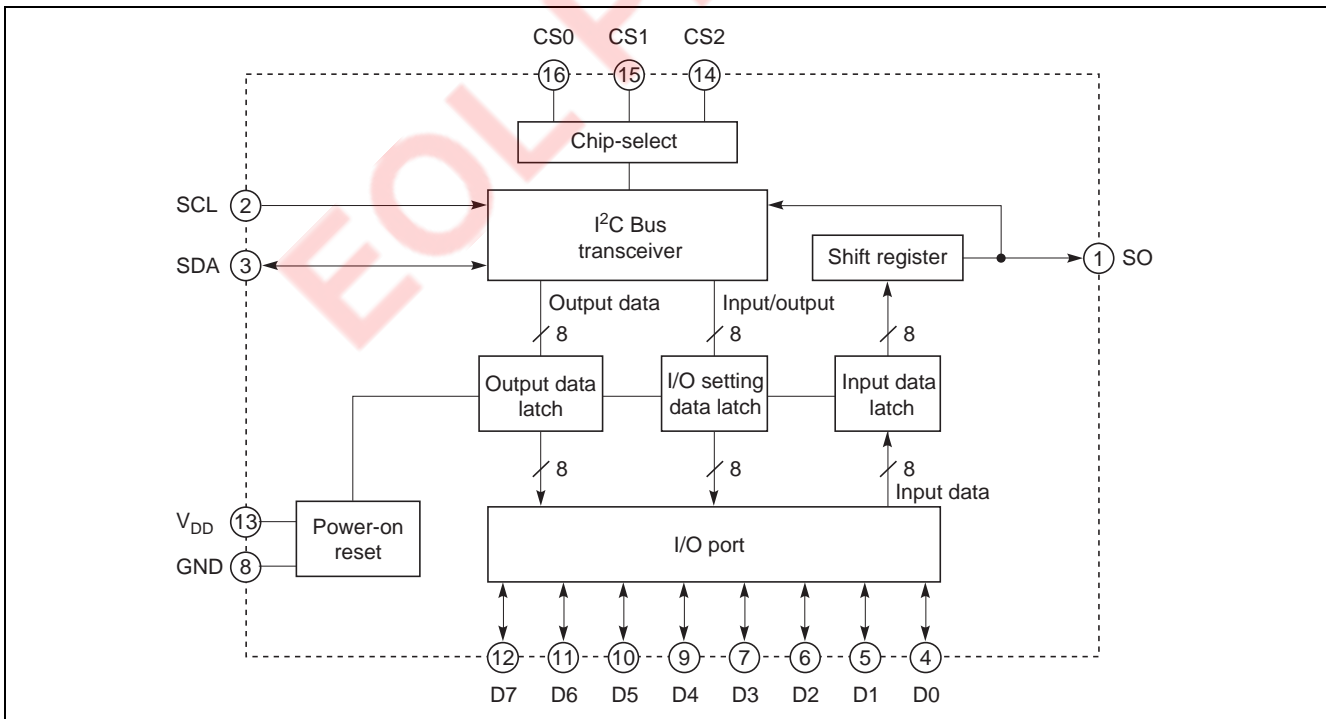
- Simple two-line (SCL and SDA) communication with a microcontroller.
- 8-bit data conversion between serial and parallel by I<sup>2</sup>C BUS.
- Built-in power-on reset.

### Application

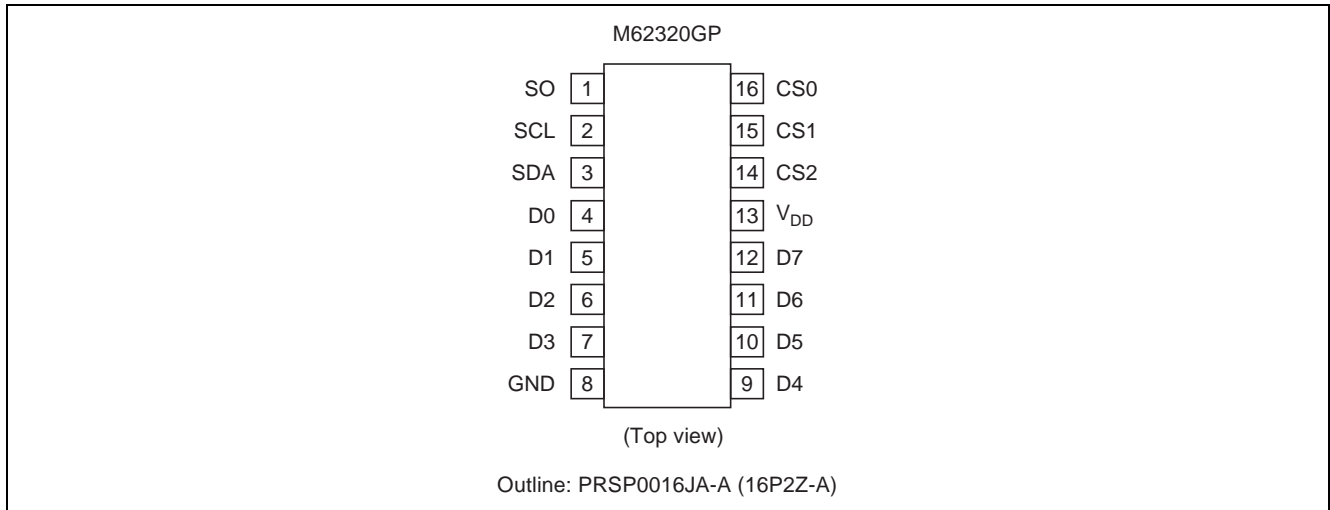
I/O port expansion for a microcontroller.

Data conversion between serial and parallel in microcontroller peripherals.

### Block Diagram



## Pin Arrangement



## Pin Description

Pin No.	Pin Name	I/O	Function
2	SCL	Input	Serial clock input
3	SDA	Input/Output	Serial data input/output
1	SO	Output	Serial data output
16	CS0	Input	Chip select data input
15	CS1		
14	CS2		
4	D0	Input/Output	Parallel data input/output
5	D1		
6	D2		
7	D3		
9	D4		
10	D5		
11	D6		
12	D7		
13	V <sub>DD</sub>	—	Power supply
8	GND	—	GND

## Absolute Maximum Ratings

Item	Symbol	Ratings	Unit	Conditions
Supply voltage	$V_{DD}$	-0.3 to +7.0	V	
Input voltage	$V_I$	-0.3 to $V_{DD} + 0.3$	V	
Output voltage	$V_O$	-0.3 to $V_{DD} + 0.3$	V	
Output current "Low"	$I_{OH}$	-5 to 0	mA	D0 to D7
Output current "High"	$I_{OL}$	0 to 30	mA	D0 to D7
Power dissipation	$P_d$	761	mW	$T_a = 25^\circ\text{C}$
Operating temperature	$T_{opr}$	-20 to +85	$^\circ\text{C}$	
Storage temperature	$T_{stg}$	-40 to +125	$^\circ\text{C}$	

## Recommended Operating Conditions

- Supply voltage:  $V_{DD} = 3\text{V to }5.5\text{V}$
- Input high voltage:  $V_{IH} = 0.7 V_{DD} \text{ to } V_{DD}$
- Input low voltage:  $V_{IL} = 0 \text{ to } 0.2 V_{DD}$

## Electrical Characteristics

( $V_{DD} = 5\text{V} \pm 10\%$ ,  $\text{GND} = 0\text{V}$ ,  $T_a = -20 \text{ to } +85^\circ\text{C}$ , unless otherwise noted)

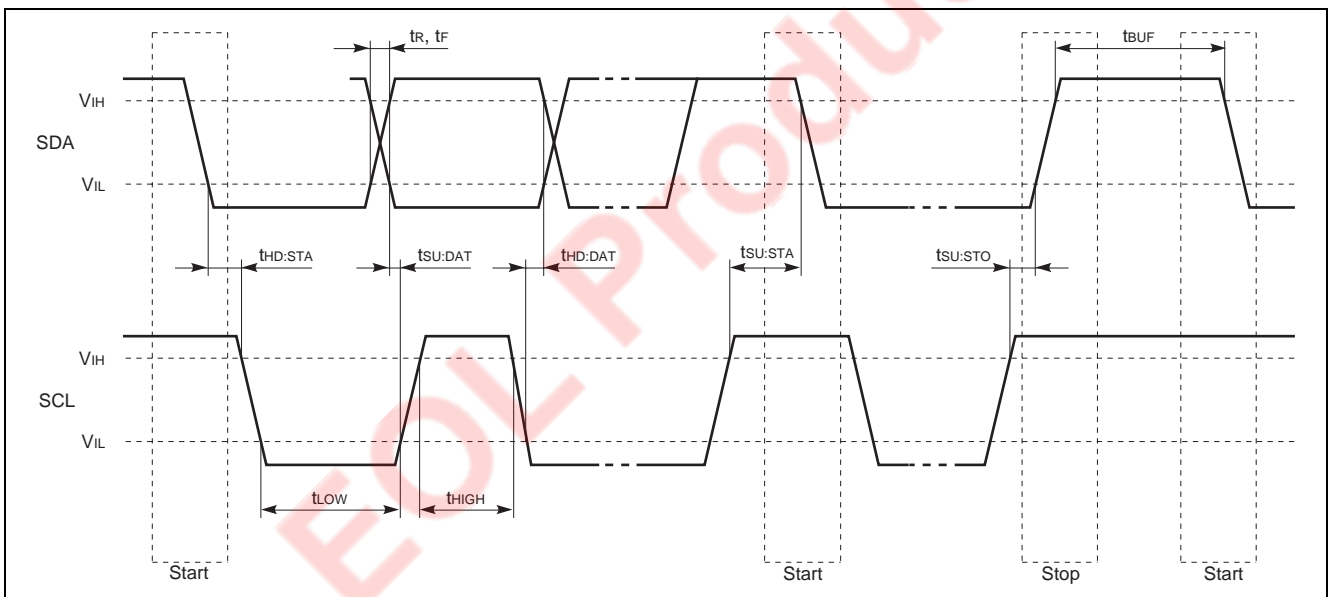
Item	Symbol	Limits			Unit	Conditions
		Min	Typ	Max		
Circuit current	$I_{DD}$	—	0.05	0.5	mA	$V_{IH} = V_{DD}$ , $V_{IL} = \text{GND}$ , $f_{SCL} = 400\text{kHz}$
		—	0.1	1.0	$\mu\text{A}$	$V_{IH} = V_{DD}$ , $V_{IL} = \text{GND}$ , $f_{SCL} = \text{stop}$
Input leak current	$I_{ILK}$	-10	—	10	$\mu\text{A}$	
Output low voltage (SDA)	$V_{OL}$	—	—	0.4	V	$I_{\text{sink}} = 3\text{mA}$
Input high voltage	$V_{IH}$	$0.7 V_{DD}$	—	$V_{DD}$	V	
Input low voltage	$V_{IL}$	—	—	$0.2 V_{DD}$	V	
Output high voltage (D0 to D7)	$V_{OH}$	$V_{DD} - 0.4$	—	$V_{DD}$	V	$I_{OH} = -1\text{mA}$ , $V_{DD} = 5\text{V}$
		$V_{DD} - 0.4$	—	$V_{DD}$	V	$I_{OH} = -500\mu\text{A}$ , $V_{DD} = 3\text{V}$
Output low voltage (D0 to D7)	$V_{OL}$	0	—	0.4	V	$I_{OL} = 5\text{mA}$ , $V_{DD} = 5\text{V}$
		0	—	0.4	V	$I_{OL} = 2.5\text{mA}$ , $V_{DD} = 3\text{V}$
Output current "Low" (D0 to D7)	$I_{OL}$	5	10	—	mA	$V_{OL} = 0.4\text{V}$ , $V_{DD} = 5\text{V}$
		2.5	5	—	mA	$V_{OL} = 0.4\text{V}$ , $V_{DD} = 3\text{V}$
		15	25	—	mA	$V_{OL} = 1.0\text{V}$ , $V_{DD} = 5\text{V}$
		5	10	—	mA	$V_{OL} = 1.0\text{V}$ , $V_{DD} = 3\text{V}$

## I<sup>2</sup>C BUS Characteristics

Item	Symbol	Limits		Unit
		Min	Max	
SCL clock frequency	$f_{SCL}$	0	100	kHz
Free time: the bus must be free before a new transmission can start	$t_{BUF}$	4.7	—	$\mu$ s
Hold time START Condition After this period, the first clock pulse is generated.	$t_{HD:STA}$	4.0	—	$\mu$ s
Low period of the clock	$t_{LOW}$	4.7	—	$\mu$ s
High period of the clock	$t_{HIGH}$	4.0	—	$\mu$ s
Set-up time for START condition Only relevant for a repeated START condition	$t_{SU:STA}$	4.7	—	$\mu$ s
Data Hold time	$t_{HD:DAT}$	0	—	$\mu$ s
Data Set-up time	$t_{SU:DAT}$	250	—	ns
Rise time of SDA and SCL signals	$t_R$	—	1000	ns
Fall time of SDA and SCL signals	$t_F$	—	300	ns
Set-up time for STOP condition	$t_{SU:STO}$	4.0	—	$\mu$ s

Note: Transmitter must internally provide at least a hold time to bridge the undefined region (300 ns max) of the falling edge of SCL.

## Timing Chart



## Functional Blocks

### I<sup>2</sup>C BUS Interface

The I<sup>2</sup>C BUS interface recognizes start/stop conditions, a slave address and a write/read mode selection by receiving SDA, SCL, CS0, CS1 and CS2 signals and then the latch pulses, dedicated to each data latch are generated.

### Data Latch

This IC has 3 types of data latch: the I/O setting data latch, the input data latch and the output data latch and each latch is controlled by the I<sup>2</sup>C BUS interface.

- I/O setting data latch  
These latches set input- or output-state of each parallel data terminals (D0 to D7). They are set at the next byte after receiving the slave address byte in the write mode from the master. In case this latch is set to high, the data is transferred from the I<sup>2</sup>C BUS interface to the parallel data terminals. In the opposite transmission: from the parallel data terminals to the I<sup>2</sup>C BUS, it is set to low.
- Output data latch  
In the write mode, the data from the I<sup>2</sup>C BUS to the parallel data terminals is latched. When the master transmits output data after a setting in write mode, the output data is taken into the latches.
- Input data latch  
In the read mode, the data of parallel data terminals is latched in the input data latches. The input data is taken into the latches from the parallel data terminals on every 8th negative edge of SCL clock. The latched data is output to the master through the sift resistor. On the output terminal assigned by the I/O setting latch, the input data latch takes the state of the output terminal.

### Parallel Input/Output Port

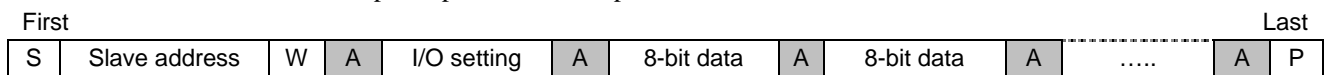
In case I/O setting latch is set to low (the input mode), each parallel terminal becomes hi-impedance and is able to accept an input. In another case I/O setting latch is set to high (output mode), each parallel terminal output a data according to the state of the output data latch.

### Power on Reset

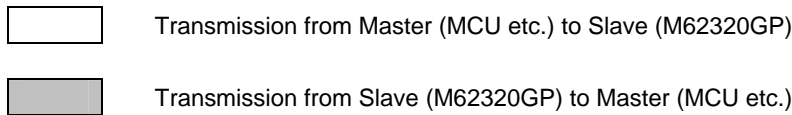
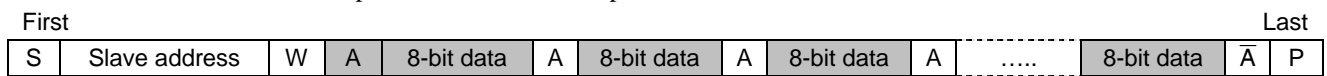
When power is turned on, each latch is reset and then the parallel data I/O terminals become hi-impedance (input mode).

## Digital Data Format

1. Write mode: I<sup>2</sup>C BUS data input to parallel data output



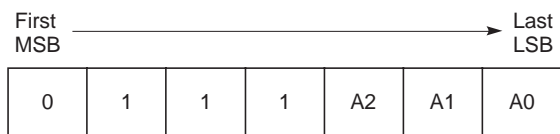
2. Read mode: Parallel data input to I<sup>2</sup>C BUS data output



- S: Start condition

While SCL level is high, SDA line level should be changed from high to low.

- Slave address



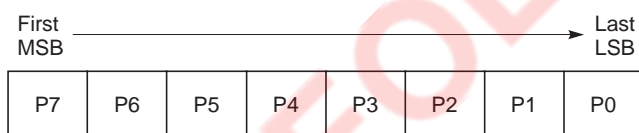
Note: Lower three bits (A0, A1, A2) are a programmable address. This IC is accessed only when the lower 3 bits data of slave address coincide with the data of CS0 to CS2. (refer to the right table)

Chip select data

MSB			LSB		
A2	A1	A0	CS2	CS1	CS0
0	0	0	L	L	L
0	0	1	L	L	H
0	1	0	L	H	L
:	:	:	:	:	:
1	1	1	H	H	H

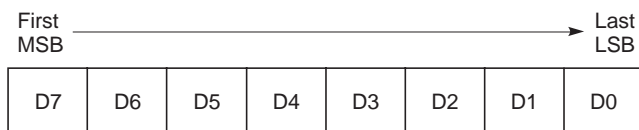
Note: L = Low, H = High

- W: Write (SDA = Low), R: Read (SDA = High)
- A: Acknowledge bit
- I/O setting data (I/O setting of parallel data I/O terminals.)



Note: DATA INPUT from parallel data terminals = Low  
 DATA OUTPUT to parallel data terminals = High  
 Each bit data corresponds to the I/O state of the parallel data terminals.

- 8-bit data



- P: Stop condition

While SCL level is high, SDA level should be changed from low to high.



### Functional Description

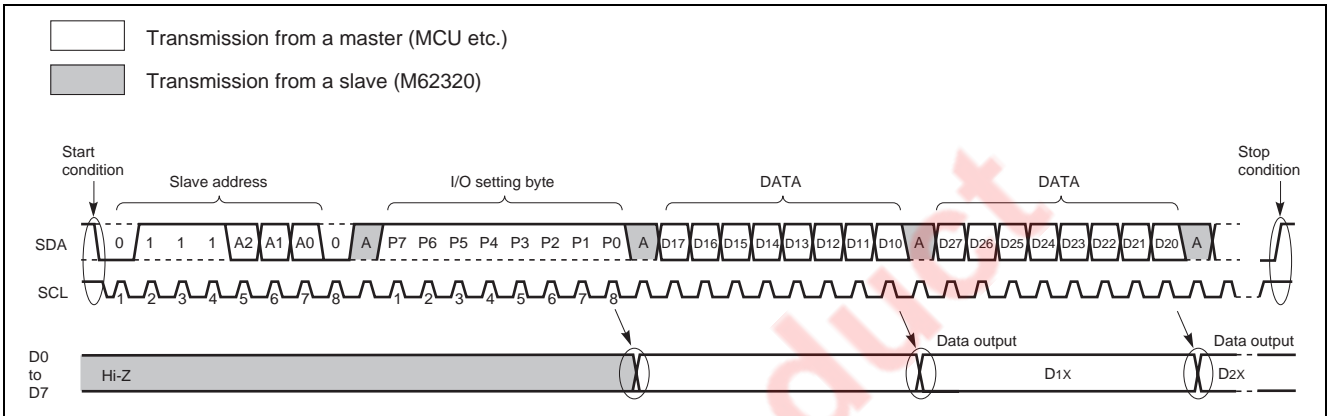
All parallel data I/O terminals are set to the input-state after power-on. In case any terminals need to be set to the output state, the corresponding terminals should be set during the write mode. This setting is hold until a next setting.

In the write mode, 8 bits data can be transmitted from the I<sup>2</sup>C BUS interface to the parallel ports continually after the slave address and I/O setting.

In the read mode, 8 bits data can be transmitted from the parallel ports to the I<sup>2</sup>C BUS interface continually after the slave address setting.

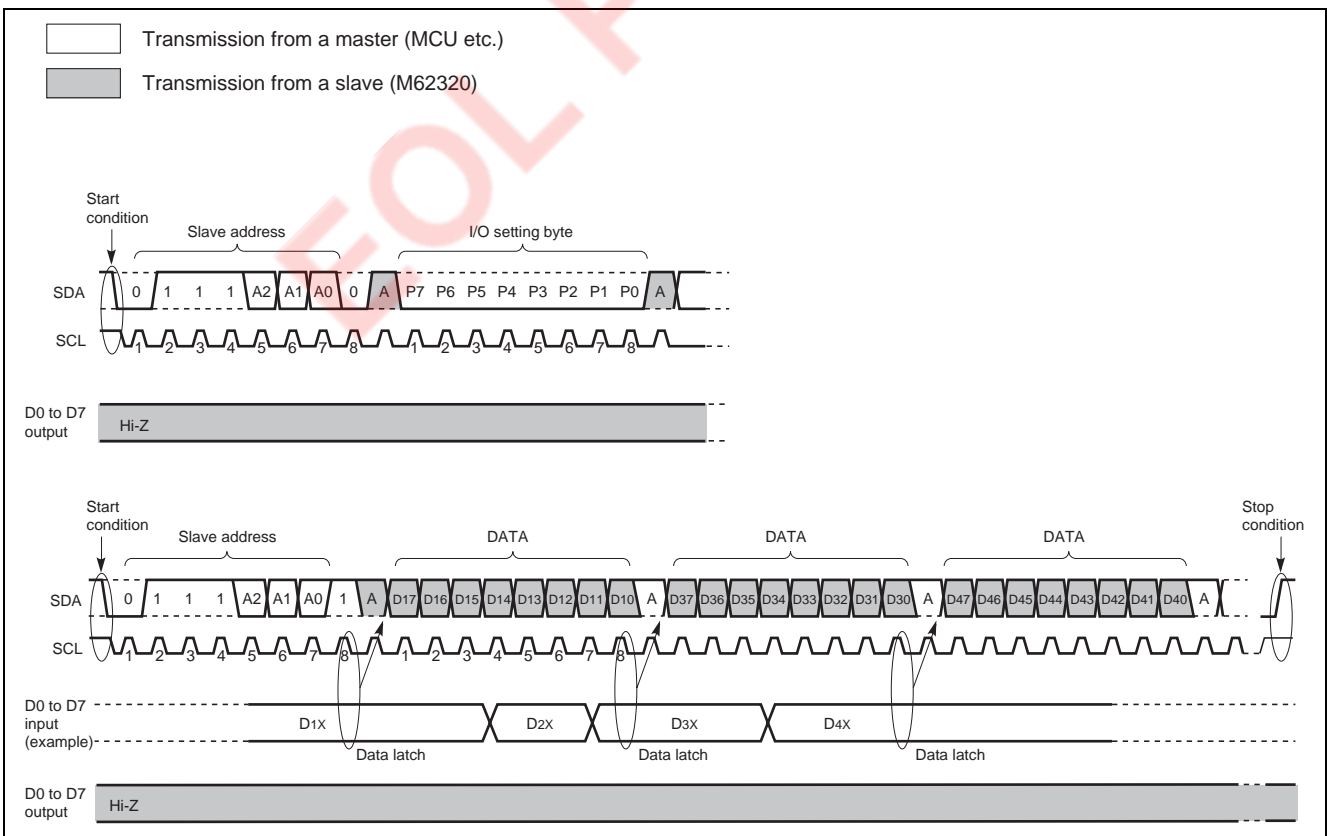
In the case of a changing between the write-and read-mode, the data must be transmitted again from the starting condition.

- In a case of a data conversion from serial to parallel.

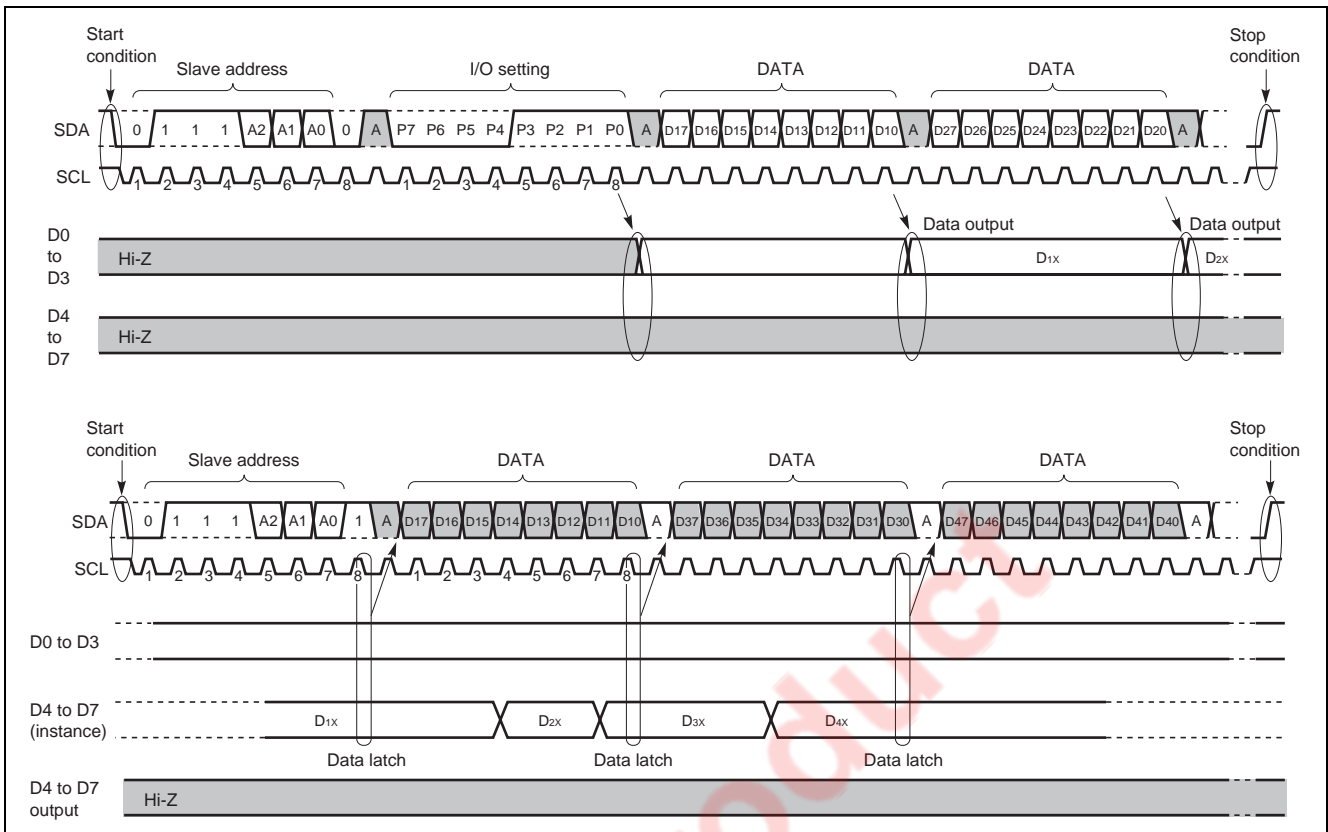


- In a case of a data conversion from parallel to serial.

All I/O setting resistors are set to low (input) in the write mode, before a parallel data is read. (All I/O setting resistors are set to the input mode after power-on).

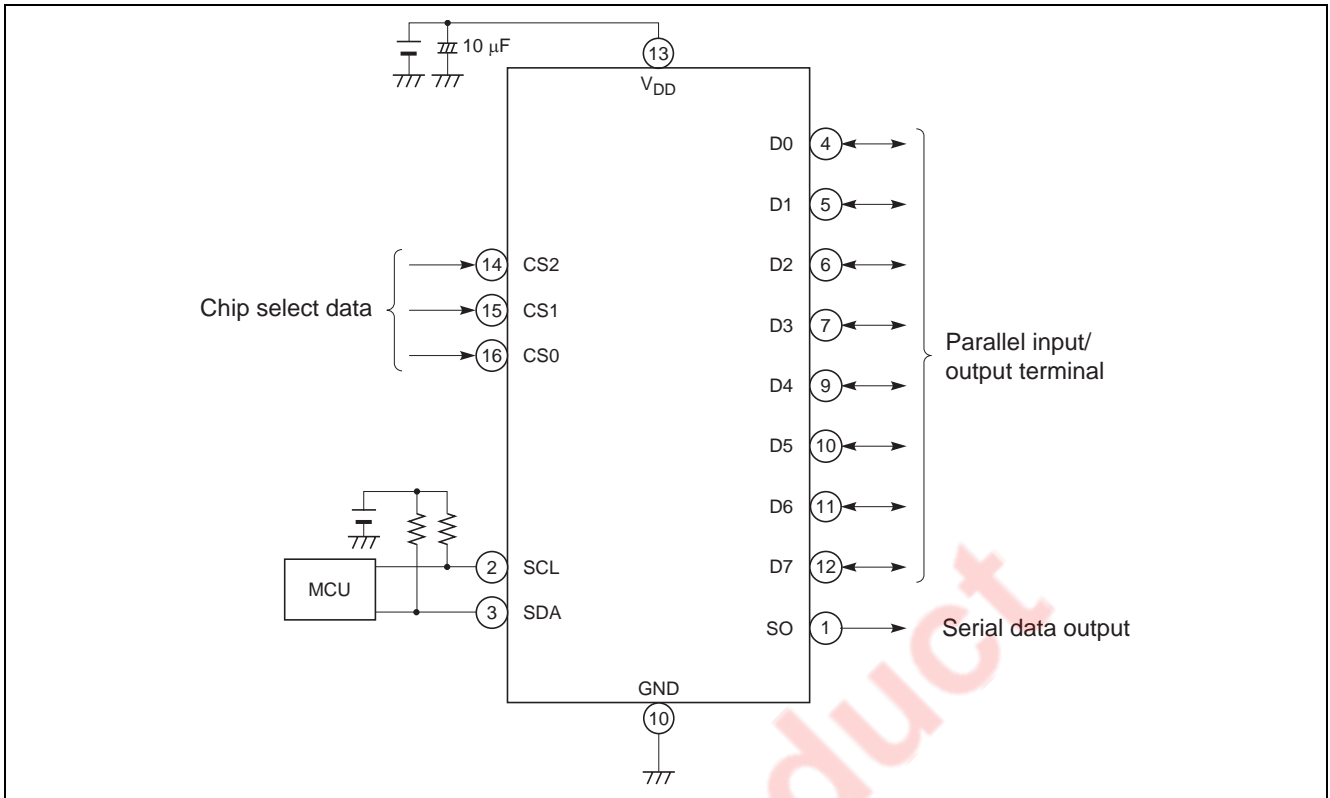


- In case the I/O setting is different between each terminals.  
 An example: the parallel port terminals of D0 to D3 and D4 to D7 are assigned as output and input terminals, respectively.



- Write mode**  
 The terminal assigned as an output provides the data written in the output data latch.  
 After power-on, all terminals are reset to the input-state. Then an initial data low of the output latch are output after the I/O setting has been done. Finally the assigned output are provided after the 8-bit data transmission.  
 The terminal assigned as an input keeps the input condition (high-impedance) regardless of 8-bit data setting.
- Read mode**  
 The input data is taken into the input latch on every 8th negative-going edge of the SCL clock through the terminal assigned as an input, and then the latched data is output via the SDA line.  
 The data of the output assigned terminal is also handled in the same procedures as above.

## Typical Application

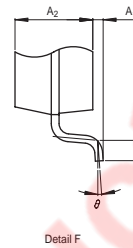
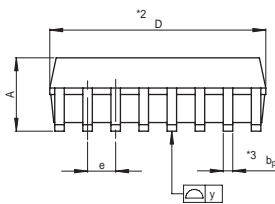
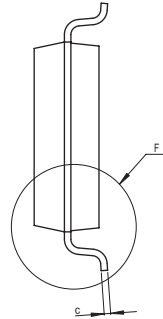
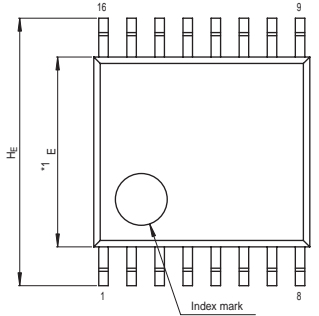


## Precaution for Use

- Purchase of Renesas's I<sup>2</sup>C components conveys a license under the Philips I<sup>2</sup>C Patent Rights to use these components an I<sup>2</sup>C system, provided that the system conforms to I<sup>2</sup>C Standard Specification as defined by Philips.

Package Dimensions

JEITA Package Code	RENESAS Code	Previous Code	MASS[Typ.]
P-SSOP16-4.4x5-0.65	PRSP0016JA-A	16P2Z-A	0.08g



NOTE)  
 1. DIMENSIONS \*\*1\* AND \*\*2\* DO NOT INCLUDE MOLD FLASH.  
 2. DIMENSION \*\*3\* DOES NOT INCLUDE TRIM OFFSET.

Reference Symbol	Dimension in Millimeters		
	Min	Nom	Max
D	4.8	5.0	5.2
E	4.2	4.4	4.6
A <sub>2</sub>	—	1.5	—
A	—	—	1.9
A <sub>1</sub>	0.05	—	—
b <sub>p</sub>	0.17	0.22	0.32
c	0.13	0.15	0.2
θ	0°	—	10°
H <sub>E</sub>	5.9	6.2	6.5
e	0.5	0.65	0.8
y	—	—	0.10
L	0.2	0.4	0.6

EOL Product

Notes:

1. This document is provided for reference purposes only so that Renesas customers may select the appropriate Renesas products for their use. Renesas neither makes warranties or representations with respect to the accuracy or completeness of the information contained in this document nor grants any license to any intellectual property rights or any other rights of Renesas or any third party with respect to the information in this document.
2. Renesas shall have no liability for damages or infringement of any intellectual property or other rights arising out of the use of any information in this document, including, but not limited to, product data, diagrams, charts, programs, algorithms, and application circuit examples.
3. You should not use the products or the technology described in this document for the purpose of military applications such as the development of weapons of mass destruction or for the purpose of any other military use. When exporting the products or technology described herein, you should follow the applicable export control laws and regulations, and procedures required by such laws and regulations.
4. All information included in this document such as product data, diagrams, charts, programs, algorithms, and application circuit examples, is current as of the date this document is issued. Such information, however, is subject to change without any prior notice. Before purchasing or using any Renesas products listed in this document, please confirm the latest product information with a Renesas sales office. Also, please pay regular and careful attention to additional and different information to be disclosed by Renesas such as that disclosed through our website. (<http://www.renesas.com>)
5. Renesas has used reasonable care in compiling the information included in this document, but Renesas assumes no liability whatsoever for any damages incurred as a result of errors or omissions in the information included in this document.
6. When using or otherwise relying on the information in this document, you should evaluate the information in light of the total system before deciding about the applicability of such information to the intended application. Renesas makes no representations, warranties or guarantees regarding the suitability of its products for any particular application and specifically disclaims any liability arising out of the application and use of the information in this document or Renesas products.
7. With the exception of products specified by Renesas as suitable for automobile applications, Renesas products are not designed, manufactured or tested for applications or otherwise in systems the failure or malfunction of which may cause a direct threat to human life or create a risk of human injury or which require especially high quality and reliability such as safety systems, or equipment or systems for transportation and traffic, healthcare, combustion control, aerospace and aeronautics, nuclear power, or undersea communication transmission. If you are considering the use of our products for such purposes, please contact a Renesas sales office beforehand. Renesas shall have no liability for damages arising out of the uses set forth above.
8. Notwithstanding the preceding paragraph, you should not use Renesas products for the purposes listed below:
  - (1) artificial life support devices or systems
  - (2) surgical implantations
  - (3) healthcare intervention (e.g., excision, administration of medication, etc.)
  - (4) any other purposes that pose a direct threat to human lifeRenesas shall have no liability for damages arising out of the uses set forth in the above and purchasers who elect to use Renesas products in any of the foregoing applications shall indemnify and hold harmless Renesas Technology Corp., its affiliated companies and their officers, directors, and employees against any and all damages arising out of such applications.
9. You should use the products described herein within the range specified by Renesas, especially with respect to the maximum rating, operating supply voltage range, movement power voltage range, heat radiation characteristics, installation and other product characteristics. Renesas shall have no liability for malfunctions or damages arising out of the use of Renesas products beyond such specified ranges.
10. Although Renesas endeavors to improve the quality and reliability of its products, IC products have specific characteristics such as the occurrence of failure at a certain rate and malfunctions under certain use conditions. Please be sure to implement safety measures to guard against the possibility of physical injury, and injury or damage caused by fire in the event of the failure of a Renesas product, such as safety design for hardware and software including but not limited to redundancy, fire control and malfunction prevention, appropriate treatment for aging degradation or any other applicable measures. Among others, since the evaluation of microcomputer software alone is very difficult, please evaluate the safety of the final products or system manufactured by you.
11. In case Renesas products listed in this document are detached from the products to which the Renesas products are attached or affixed, the risk of accident such as swallowing by infants and small children is very high. You should implement safety measures so that Renesas products may not be easily detached from your products. Renesas shall have no liability for damages arising out of such detachment.
12. This document may not be reproduced or duplicated, in any form, in whole or in part, without prior written approval from Renesas.
13. Please contact a Renesas sales office if you have any questions regarding the information contained in this document, Renesas semiconductor products, or if you have any other inquiries.



**RENESAS SALES OFFICES**

<http://www.renesas.com>

Refer to "<http://www.renesas.com/en/network>" for the latest and detailed information.

**Renesas Technology America, Inc.**  
450 Holger Way, San Jose, CA 95134-1368, U.S.A  
Tel: <1> (408) 382-7500, Fax: <1> (408) 382-7501

**Renesas Technology Europe Limited**  
Dukes Meadow, Millboard Road, Bourne End, Buckinghamshire, SL8 5FH, U.K.  
Tel: <44> (1628) 585-100, Fax: <44> (1628) 585-900

**Renesas Technology (Shanghai) Co., Ltd.**  
Unit 204, 205, AZIACenter, No.1233 Lujiazui Ring Rd, Pudong District, Shanghai, China 200120  
Tel: <86> (21) 5877-1818, Fax: <86> (21) 6887-7858/7898

**Renesas Technology Hong Kong Ltd.**  
7th Floor, North Tower, World Finance Centre, Harbour City, Canton Road, Tsimshatsui, Kowloon, Hong Kong  
Tel: <852> 2265-6688, Fax: <852> 2377-3473

**Renesas Technology Taiwan Co., Ltd.**  
10th Floor, No.99, Fushing North Road, Taipei, Taiwan  
Tel: <886> (2) 2715-2888, Fax: <886> (2) 3518-3399

**Renesas Technology Singapore Pte. Ltd.**  
1 Harbour Front Avenue, #06-10, Keppel Bay Tower, Singapore 098632  
Tel: <65> 6213-0200, Fax: <65> 6278-8001

**Renesas Technology Korea Co., Ltd.**  
Kukje Center Bldg. 18th Fl., 191, 2-ka, Hangang-ro, Yongsan-ku, Seoul 140-702, Korea  
Tel: <82> (2) 796-3115, Fax: <82> (2) 796-2145

**Renesas Technology Malaysia Sdn. Bhd**  
Unit 906, Block B, Menara Amcorp, Amcorp Trade Centre, No.18, Jln Persiaran Barat, 46050 Petaling Jaya, Selangor Darul Ehsan, Malaysia  
Tel: <603> 7955-9390, Fax: <603> 7955-9510