

Customer Information Sheet

DRAWING No.: M80-856XXXX

SHEET 2 OF 2

IF IN DOUBT - ASK

©

NOT TO SCALE

THIRD ANGLE PROJECTION

ALL DIMENSIONS IN mm

ORDER CODE:

M80-856XXXX

TOTAL No. OF CONTACTS

04, 06, 08, 10, 12, 14,
16, 18, 20, 26, 34, 44.

FINISH:

05 = GOLD
22 = SELECTIVE GOLD

BRITISH STANDARD ORDER CODE:

B5743-2XX-M-T-X

TOTAL No. OF CONTACTS

04, 06, 08, 10, 12, 14,
16, 18, 20, 26, 34, 44.

FINISH:

B = GOLD
W = SELECTIVE GOLD

SPECIFICATIONS:

MATERIAL:

MOULDING = GLASS-FILLED POLYESTER UL94V-0, BLACK
CONTACTS = PHOSPHOR BRONZE
LATCHES = BERYLLIUM COPPER

FINISH:

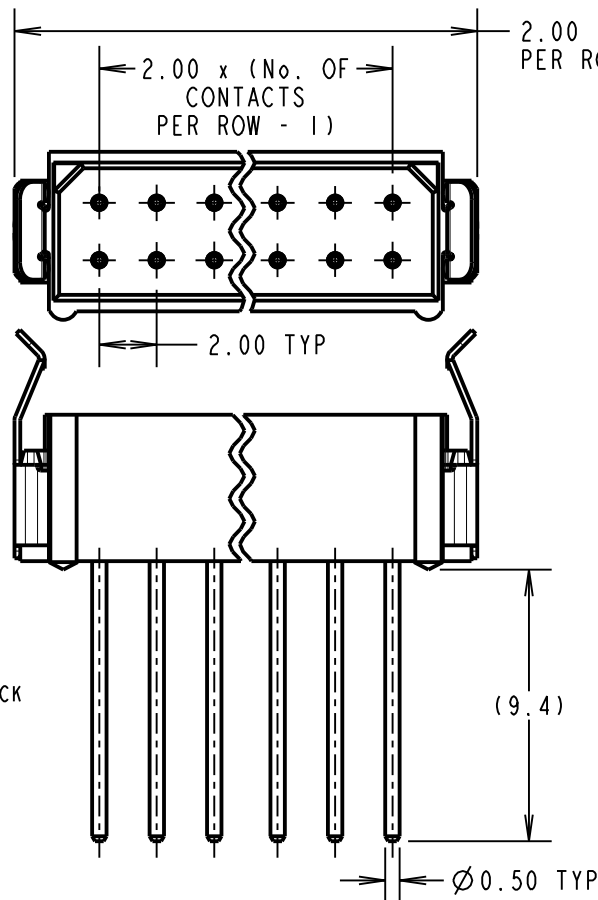
CONTACTS:

05 = 0.75µ GOLD
22 = 0.75µ GOLD ON CONTACT AREA.
3.0µ 90/10 TIN/LEAD ON TAILS

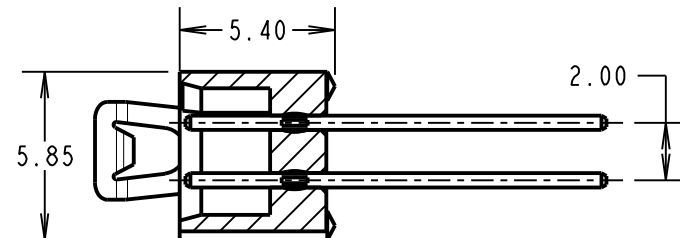
LATCHES = 1.25µ NICKEL

ELECTRICAL:

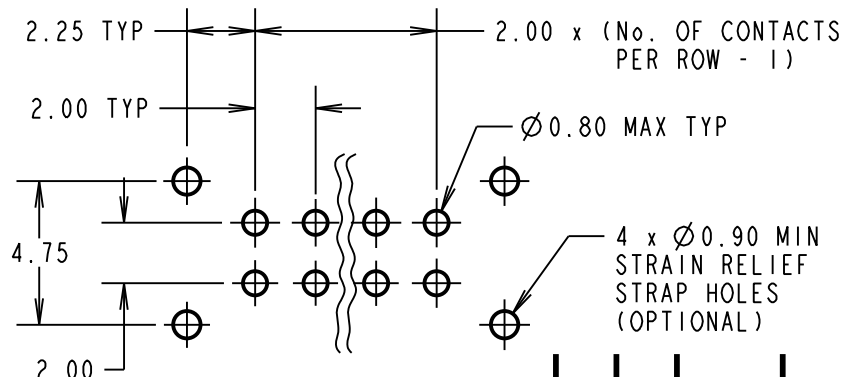
CURRENT RATING (25°C) = 3.0A MAX.
CURRENT RATING (85°C) = 2.2A MAX.
WORKING VOLTAGE = 800V AC/DC
VOLTAGE PROOF = 1200V AC/DC
CONTACT RESISTANCE (INITIAL) = 20 mΩ MAX.
CONTACT RESISTANCE (AFTER CONDITIONING) = 25 mΩ MAX.
INSULATION RESISTANCE (INITIAL) = 1000 MΩ MIN.
INSULATION RESISTANCE (AFTER CONDITIONING) = 100 MΩ MIN.



2.00 x (No. OF CONTACTS PER ROW + 4.10) MAX



SECTION X-X



RECOMMENDED PCB LAYOUT

MECHANICAL:
DURABILITY = 500 OPERATIONS
ENVIRONMENTAL:
TEMPERATURE RANGE = -55°C TO +125°C
PACKING:
TUBE
FOR COMPLETE SPECIFICATION, SEE COMPONENT SPECIFICATION C005XX (LATEST ISSUE)

NOTES:

1. 2-OFF STRAIN RELIEF STRAPS MAY BE USED WITH THIS CONNECTOR.

MGP	7	03.12.13	12294
NAME	ISS.	DATE	C/NOTE
APPROVED: MGP			
CHECKED: SB			
DRAWN: J. CLAY			
CUSTOMER REF.:			
ASSEMBLY DRG:			

HARWIN

www.harwin.com
technical@harwin.com

THIS DRAWING AND ANY INFORMATION OR DESCRIPTIVE MATTER SET OUT HEREON ARE CONFIDENTIAL AND COPYRIGHT PROPERTY OF THE HARWIN GROUP AND MUST NOT BE DISCLOSED, LOANED, COPIED OR USED FOR MANUFACTURING, TENDERING OR FOR ANY OTHER PURPOSE WITHOUT THEIR WRITTEN PERMISSION.

TOLERANCES
X. = ±1mm
X.X = ±0.25mm
X.XX = ±0.10mm
X.XXX = ±0.01mm
ANGLES = ±5°
UNLESS STATED

MATERIAL:

SEE ABOVE

FINISH:

SEE ABOVE

S/AREA:

mm²

TITLE:

DATAMATE L-TEK
MALE DIL VERTICAL PC TAIL
ASSEMBLY (LATCHED)

DRAWING NUMBER:

M80-856XXXX

SHT
2
OF
2