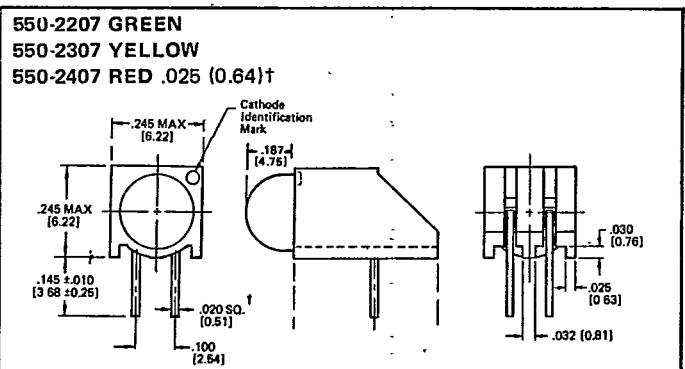
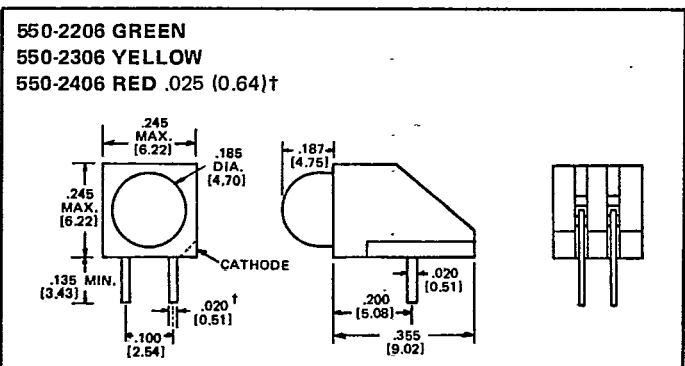
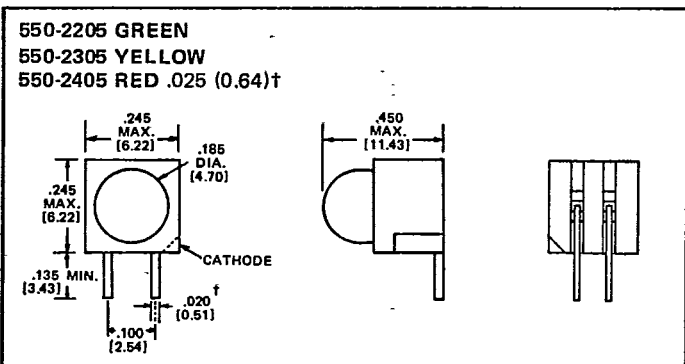
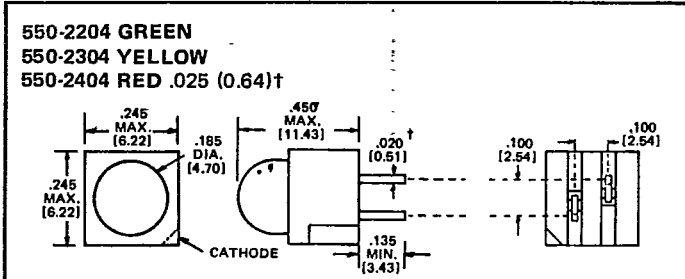


High Efficiency LED Circuit Board Indicators with Green, Yellow or Red LEDs 550 series



() Metric dimension in mm.

Decimals ± 0.015 (0.38)

Features

- High Efficiency LEDs
- Solid State light source
- Available with Red, Green or Yellow LEDs
- Wide Viewing Angle
- IC Compatible
- Low Power Consumption
- High Reliability - Life measured in years
- Designed for ease in circuit board assembly
- Black case enhances contrast ratio
- Vibration and Shock Resistant
- Designed to allow for high density packaging
- Polarity identified
- New pre-trimmed leads for PC board mounting.

Note* To obtain units with a .340 minimum lead length, add "-100" suffix to part number. i.e. 550-2306-100.

Applications

- Circuit board indicator
- Panel illumination
- Logic Status Indicator
- Binary data display - permits stacking so that multiple functions can be displayed.

The 550 series circuit board indicators are designed for use in a wide variety of applications where solid state compatibility and ease in assembly and mounting are required. Such applications could include P/C board and panel mounting. A large LED lamp with a high light level makes these units convenient for back panel illumination.

Dialight reserves the right to make changes at anytime in order to improve design and to supply the best product possible.

High Efficiency LED Circuit Board Indicators with Green, Yellow or Red LED 550 series

Absolute Maximum Ratings

Parameter	Red	Yellow	Green	Units
Power Dissipation (derate linearly from 25° C at 1.14mW/° C)	105	105	180	mW
Average Forward Current	35	35	60	mA
Peak Operating Forward Current (1μsec pulse width, 3% duty cycle)	1	1	1	A
Operating and Storage Temperature Range	-50° C to +100° C			
Lead Solder Temperature (1/16 inch from case)	230° C for 7 seconds			

Operating Characteristics at T_A = 25° C

Symbol	Parameter	Description	Min.	Typ.	Max.	Units	Test Conditions
V _F	Forward Voltage	All		2.2	3.0	V	I _F = 10mA
BV _R	Reverse Voltage	All	5.0			V	I _R = 100μA
λ _{pk}	Peak Wavelength	Red Yellow Green		635 585 565		nm nm nm	Measurement at Peak Measurement at Peak Measurement at Peak
I _v	Luminous Intensity	Red Yellow Green	3.0 2.2 1.6	4.0 3.0 3.0		mcd mcd mcd	I _F = 10mA I _F = 10mA I _F = 10mA
τ _S	Rise and Fall Time	Red & Yellow Green		90 200		ns ns	
C	Capacitance	All		45		pF	V _F = 0, f = 1MHz

