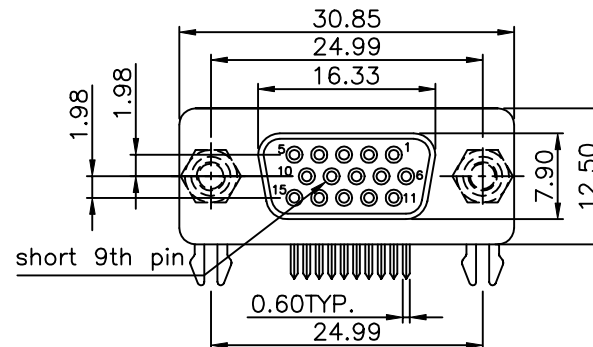


3112 SERIES 15 PIN HIGH DENSITY PCB RIGHT ANGLE SHORT 9TH PIN D-USB CONNECTORS FEMALE TYPE

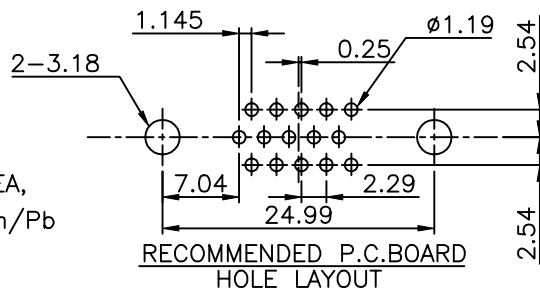
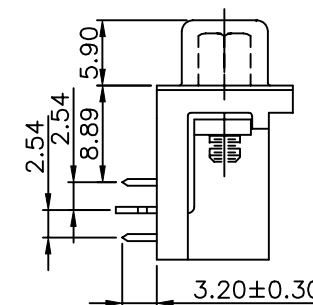
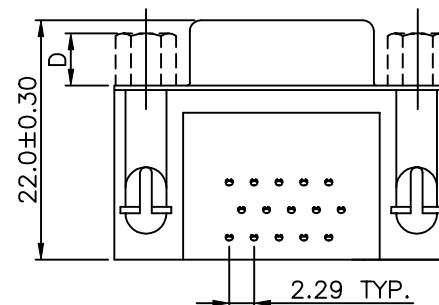
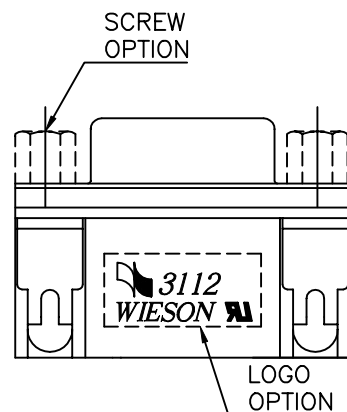
REV	DATE	DESCRIPTION	ECN NO.	NAME
A	05.11.01	NEW RELEASE		LION

MATERIAL

HOUSING : THERMOPLASTIC (UL94V-0)
 HOUSING COLOR : SEE ORDER INFORMATION
 TERMINAL : COPPER ALLOY
 TERMINAL PLATED : SEE ORDER INFORMATION
 SHELL : STEEL
 BRACKET : COPPER ALLOY , NICKEL PLATED
 RIVET : COPPER ALLOY , NICKEL PLATED



- ORDER INFORMATION
 * 3112 - 11 * * **
- " ": NORMAL PRODUCT
 "G": GREEN PRODUCT
- 0:W/O SCREW
 1:SS6-A47511848
 2:SS6-A47513058
 3:ATTACHED SCREWS SS6-A47511848
 4:ATTACHED SCREWS SS6-A47513058
- (SELECTIVE GOLD)
 01:1u" Au
 02:3u" Au
 03:15u" Au
 04:30u" Au
 (FULL GOLD)
 11:1u" Au
 12:3u" Au
 13:15u" Au
 14:30u" Au
- 0:BLUE,W/W MARK(RIVET TYPE)
 1:BLUE,W/W MARK(SCREWS TYPE)
 2:BLACK,W/W MARK(RIVET TYPE)
 3:BLACK,W/W MARK(SCREWS TYPE)
 4:BLUE,W/O MARK(RIVET TYPE)
 5:BLUE,W/O MARK(SCREWS TYPE)
 6:BLACK,W/O MARK(RIVET TYPE)
 7:BLACK,W/O MARK(RIVET TYPE)



- NOTE:1. P.C.B LAYOUT TOLERANCE:±0.05mm
 2. SELECTIVE GOLD: PLATED Au IN CONTACT AREA, 100u" Sn (FOR G3112-11****) OR 100u" Sn/Pb (FOR 3112-11****) IN SOLDER TAIL AREA.
 3. FULL GOLD: PLATED Au OVER 50u"min. Ni UNDER PLATED OVERALL.

	D	INNER SCREW THREAD	OUTER SCREW THREAD
S:SS6-A47511848	4.8	#4-40 UNC	#4-40 UNC
2:SS6-A47513058	5.8	#4-40 UNC	#4-40 UNC

GENERAL TOLERANCE ±0.25mm GENERAL ANGLE TOLERANCE ±3°	WIESON TECHNOLOGIES CO, LTD		PART NO.: *3112-11****	
	DRAWN BY	LION(WSC)	DRAWING NO.	*3112Z-11
	CHECKED BY	JIMMY	DRAWING SIZE	A4
	APPROVED BY	JERRY	UNIT	mm
ISSUED	SORTING NO.	P10033(WSC)	PAGE	1 OF 1

ISSUED