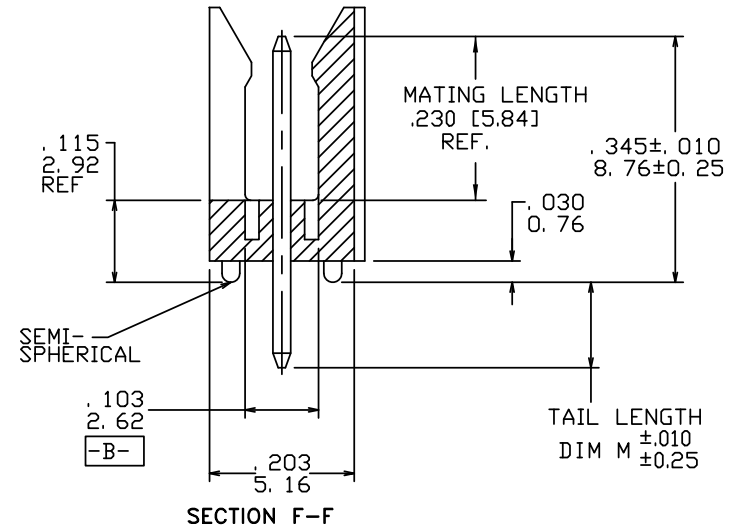
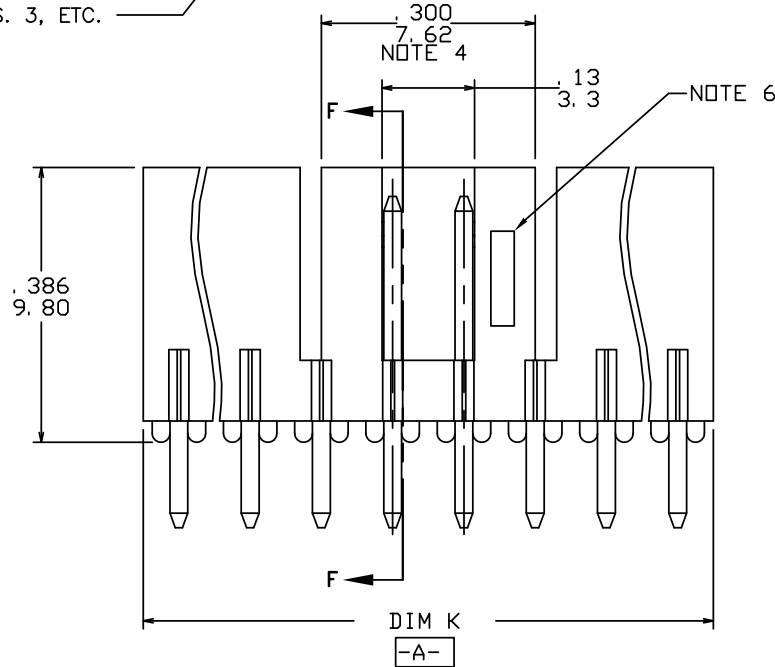
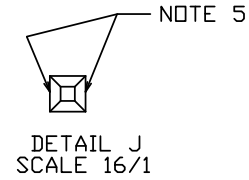
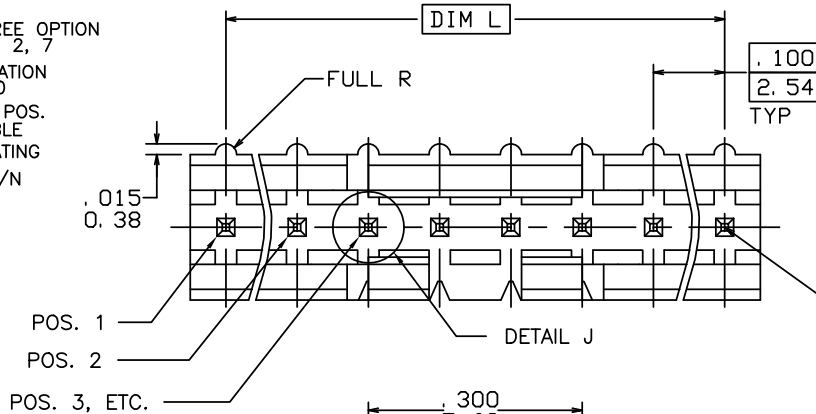


PRODUCT NUMBER
69167-XXXXXXHLF

- LEAD FREE OPTION
NOTE 1, 2, 7
- POLARIZATION
NOTE 10
- NO. OF POS.
SEE TABLE
- PIN PLATING
- BASE P/N



mat'l. code		surface ISO 1302 ✓		tolerance ISO 406 ISO 1101		projection INCH/MM		product family HEADER	
ltr ecn nldr date		tolerances unless otherwise specified		title		FRICITION LATCH HEADER SINGLE ROW VERTICAL			
T	6X-N-011888	JZ	2012-05-31	angles	linear	scale 4:1		dwg no 69167 sheet of 3 size A3	
M	V03-0352	GIP	03/25/03	0°±2'	linear			type Product Customer Drawing	
N	M05-0134	MHT	6/17/05	dr	M.CLOUSER	11/27/90	FCI		
P	M05-0176	ERE	08/05/05	engr	C.TREXTLER	11/27/90			
R	M06-0256	MHT	9/07/06	chr	C.TREXTLER	11/27/90			
S	M08-0291	MHT	10/06/08	appd	C.TREXTLER	11/27/90			
sheet	revisi	T	T						
index	sheet	1	2	3					

PRODUCT NUMBER	NO OF POS	DIM K	DIM L	TAIL LENGTH DIM M
69167-X03	1 X 3	.300/7.62	.200/5.08	.120/3.05
69167-X04	1 X 4	.400/10.16	.300/7.62	.120/3.05
69167-X05	1 X 5	.500/12.70	.400/10.16	.120/3.05
69167-X06	1 X 6	.600/15.24	.500/12.70	.120/3.05
69167-X07	1 X 7	.700/17.78	.600/15.24	.120/3.05
69167-X08	1 X 8	.800/20.32	.700/17.78	.120/3.05
69167-X09	1 X 9	.900/22.86	.800/20.32	.120/3.05
69167-X10	1 X 10	1.000/25.40	.900/22.86	.120/3.05
69167-X11	1 X 11	1.100/27.94	1.000/25.40	.120/3.05
69167-X12	1 X 12	1.200/30.48	1.100/27.94	.120/3.05
69167-X13	1 X 13	1.300/33.02	1.200/30.48	.120/3.05
69167-X14	1 X 14	1.400/35.56	1.300/33.02	.120/3.05
69167-X15	1 X 15	1.500/38.10	1.400/35.56	.120/3.05
69167-X16	1 X 16	U N A	V A I L A B L E	
69167-X17	1 X 17	U N A	V A I L A B L E	
69167-X18	1 X 18	U N A	V A I L A B L E	
69167-X19	1 X 19	U N A	V A I L A B L E	
69167-X20	1 X 20	U N A	V A I L A B L E	
69167-X21	1 X 21	U N A	V A I L A B L E	
69167-X22	1 X 22	U N A	V A I L A B L E	
69167-X23	1 X 23	U N A	V A I L A B L E	
69167-X24	1 X 24	U N A	V A I L A B L E	
69167-X25	1 X 25	U N A	V A I L A B L E	
69167-X26	1 X 26	U N A	V A I L A B L E	
69167-X27	1 X 27	U N A	V A I L A B L E	
69167-X28	1 X 28	U N A	V A I L A B L E	
69167-X29	1 X 29	U N A	V A I L A B L E	
69167-X30	1 X 30	U N A	V A I L A B L E	
69167-X31	1 X 31	U N A	V A I L A B L E	
69167-X32	1 X 32	U N A	V A I L A B L E	
69167-X33	1 X 33	U N A	V A I L A B L E	
69167-X34	1 X 34	U N A	V A I L A B L E	
69167-X35	1 X 35	U N A	V A I L A B L E	
69167-X36	1 X 36	U N A	V A I L A B L E	

PIN PLATING CODES	
XXXXX-1YY	30u"/0.76u MIN (SEE NOTE 8) OVER 50u"/1.27u MIN NI
XXXXX-2YY	15u"/0.38u MIN (SEE NOTE 8) OVER 50u"/1.27u MIN NI
XXXXX-3YY	50u"/1.27u MIN (SEE NOTE 8) OVER 50u"/1.27u MIN NI
XXXXX-4YY	100u"/2.54u MIN Sn OVER 50u"/1.27u MIN NI (SEE NOTE 9)
XXXXX-4YYHLF	
XXXXX-5YY	15u"/0.38u MIN (SEE NOTE 8) OVER 50u"/1.27u MIN NI
XXXXX-6YY	30u"/0.76u MIN (SEE NOTE 8) OVER 50u"/1.27u MIN NI
XXXXX-7YY	30u"/0.76u MIN (SEE NOTE 8) OVER 50u"/1.27u MIN NI
XXXXX-8YY	15u"/0.38u MIN (SEE NOTE 8) OVER 50u"/1.27u MIN NI

NOTES:

- PART NUMBER OPTIONS:
PIN PLATING CODES (SEE ABOVE)
LEAD FREE:
ADD "HLF" AT THE END OF PART NUMBER FOR LEAD FREE OPTION, NOT AVAILABLE FOR -5YY, -5YYH, -6YY, -6YYH.
- BODY MATERIAL:
GLASS REINFORCED PCT COLOR: BLACK
FLAME RETARDANT PER UL 94 V-0
MAXIMUM OPERATING TEMPERATURE: 130° C
OR
MINERAL FILLED LCP, COLOR BLACK
FLAME RETARDANT PER UL 94 V-0

PART NUMBERS WITH "H" SUFFIX WILL WITHSTAND EXPOSURE TO 260°C PEAK TEMPERATURE FOR 20 SECONDS IN WAVE SOLDER, INFRA-RED OR VAPOR PHASE SOLDER PROCESS.
PART NUMBERS WITHOUT "H" SUFFIX WILL WITHSTAND EXPOSURE TO 260°C PEAK TEMPERATURE FOR WAVE SOLDER PROCESS.
- PIN MATERIAL: 3/4 HARD PHOS-BRONZE.
- NO SLOTS ON 1 X 5 POSITION OR SMALLER PRODUCT. THE CENTER KEY SLOT WILL BE ON ALL HEADERS REGARDLESS OF SIZE.
- TWO NON-CRITICAL SIDES OF PIN TIP NOT PLATED, BOTH ENDS
- COMPANY LOGO MAY APPEAR IN THIS AREA.
- THESE PRODUCTS MEET EUROPEAN UNION DIRECTIVES AND OTHER COUNTRY REGULATION AS DESCRIBED IN GS-22-008.
- PLATING OPTIONS:
PERFORMANCE PLATING WILL BE EITHER GOLD OR GXT ON CONTACT OR TAIL, OPTIONALLY (78~295u"/2~7.5u) TIN ON TAIL.
- *THIS PRODUCT HAS 100% TIN PLATING IN THE INTERFACE AND HAS NOT BEEN TESTED FOR WHISKER GROWTH IN ALL INTERCONNECT ENVIRONMENTS.*
- FOR POLARIZATION, SPECIFY POSITION NUMBER (i.e. A03=ROW A POSITION 03) TO OMIT PIN.
OMIT FROM PRODUCT NUMBER IF THIS FEATURE IS NOT APPLICABLE.
PRODUCT MANAGEMENT APPROVAL REQUIRED PRIOR TO RELEASE OR SALE OF POLARIZED PRODUCT.

()

()

()

()

A

B

C

D

A

B

C

D



FCIconnect.com

Copyright FCI

mat'l. code		surface	tolerance	projection	product family
		ISO 1302 ✓	ISO 406 ISO 1101		HEADER
l	tr	ec	n	o	d
tolerances unless otherwise specified				title	
T				FRICION LATCH HEADER	
		angles	line	SINGLE ROW VERTICAL	
		0°±2'	XXX±.01/XXX.3 XXX±.005/XXX±0.13 XXX±.0020/XXX±0.05	scale 4:1	
		dr	M.CLOUSER	11/27/90	 dwg no 69167 sheet 2 of 3 size A3
		engr	C.TREXTLER	11/27/90	
		chr	C.TREXTLER	11/27/90	
		appd	C.TREXTLER	11/27/90	
sheet index	revision sheet				type Product Customer Drawing

PRODUCT NUMBER	NO OF POS	DIM K	DIM L	TAIL LENGTH DIM M
69167-X43	1 X 3	.300/7.62	.200/5.08	.190/4.83
69167-X44	1 X 4	.400/10.16	.300/7.62	.190/4.83
69167-X45	1 X 5	.500/12.70	.400/10.16	.190/4.83
69167-X46	1 X 6	.600/15.24	.500/12.70	.190/4.83
69167-X47	1 X 7	.700/17.78	.600/15.24	.190/4.83
69167-X48	1 X 8	.800/20.32	.700/17.78	.190/4.83
69167-X49	1 X 9	.900/22.86	.800/20.32	.190/4.83
69167-X50	1 X 10	1.000/25.40	.900/22.86	.190/4.83
69167-X51	1 X 11	1.100/27.94	1.000/25.40	.190/4.83
69167-X52	1 X 12	1.200/30.48	1.100/27.94	.190/4.83
69167-X53	1 X 13	1.300/33.02	1.200/30.48	.190/4.83
69167-X54	1 X 14	1.400/35.56	1.300/33.02	.190/4.83
69167-X55	1 X 15	1.500/38.10	1.400/35.56	.190/4.83
69167-X56	1 X 16	U N A	V A I L A B L E	
69167-X57	1 X 17	U N A	V A I L A B L E	
69167-X58	1 X 18	U N A	V A I L A B L E	
69167-X59	1 X 19	U N A	V A I L A B L E	
69167-X60	1 X 20	U N A	V A I L A B L E	
69167-X61	1 X 21	U N A	V A I L A B L E	
69167-X62	1 X 22	U N A	V A I L A B L E	
69167-X63	1 X 23	U N A	V A I L A B L E	
69167-X64	1 X 24	U N A	V A I L A B L E	
69167-X65	1 X 25	U N A	V A I L A B L E	
69167-X66	1 X 26	U N A	V A I L A B L E	
69167-X67	1 X 27	U N A	V A I L A B L E	
69167-X68	1 X 28	U N A	V A I L A B L E	
69167-X69	1 X 29	U N A	V A I L A B L E	
69167-X70	1 X 30	U N A	V A I L A B L E	
69167-X71	1 X 31	U N A	V A I L A B L E	
69167-X72	1 X 32	U N A	V A I L A B L E	
69167-X73	1 X 33	U N A	V A I L A B L E	
69167-X74	1 X 34	U N A	V A I L A B L E	
69167-X75	1 X 35	U N A	V A I L A B L E	
69167-X76	1 X 36	U N A	V A I L A B L E	

mat'l. code		surface ISO 1302 ✓	tolerance ISO 406 ISO 1101	projection 	product family HEADER
l	tr	ec	n	d	r
T		tolerances unless otherwise specified		title	
		angles	line	FRICION LATCH HEADER	
		0°±2'		SINGLE ROW VERTICAL	
				scale 4:1	
		dr	M.CLOUSER	11/27/90	dwg no
		enr	C.TREXTLER	11/27/90	69167
		chr	C.TREXTLER	11/27/90	shee 5 of 3
		app	C.TREXTLER	11/27/90	size A3
sheet index		revision sheet		type Product Customer Drawing	

FCJ
FCIconnect.com

Copyright FCI