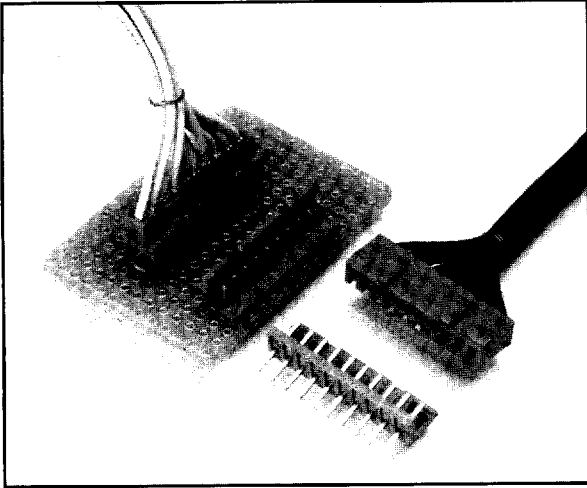


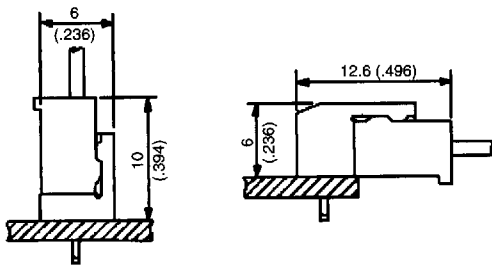
IL-G SERIES CONNECTORS

2.5mm (.098") Contact Spacing, PCB-to-Cable (Crimp Type) Connectors



FEATURES

- Low profile—10mm (.394") total mated height for straight connection
- Mismatching-prevention structure
- Friction locking mechanism
- Prevents solder-flux contamination



.....

IL-G Series connectors are low profile, PCB-to-cable connectors with 2.5mm (.098") contact spacing.

The crimp contacts for socket housing can be terminated with a hand crimping tool, or a semi-automatic crimping machine for rapid, high volume terminations. IL-G Series connectors are available in socket housing, straight pin header and right angle pin header configurations.

GENERAL SPECIFICATIONS

Number of Contacts	2 to 15
Contact Spacing	2.5mm (.098"), single row
Current Rating	3 Amps
Dielectric Withstanding Voltage	1500 VAC r.m.s. (for one minute)
Insulation Resistance	100 megohms min.
Contact Resistance	20 milliohms max.
Operating Temperature	-40°C to +85°C
Applicable PCB Thickness	1.6 to 2.6mm (.063 to .102") thick
Applicable Wire Sizes	AWG #22 to #28

MATERIALS AND FINISHES

Description	Materials/Finishes
Insulator	6-6 Nylon (UL94V-0, Light Brown)
Pin Contact	Brass, Tin plated over Nickel
Socket Contact	Phosphor Bronze/Tin plated

ORDERING INFORMATION

Series	IL-G
No. of Contacts	**
Contact Type	* - S
Contact Arrangement	3
Contact Spacing	* - 2
Termination	- E
PCB Thickness (Pin Header)/Wire Size (Socket Housing)	
Modification Code (Pin Header Only)	

P - Pin S - Socket
 S - Single Row
 3 - 2.5mm (.098")
 C - Crimp (Socket Housing)
 T - Straight (Pin Header)
 L - Right Angle (Pin Header)

Dimensions and specifications subject to change without notice.

Hong Kong
Tel: 852-2723-7782
Fax: 852-2723-9028

Japan
03-3780-2715
03-3780-2883

Singapore
65-748-1332
65-748-2920

Taiwan
02-555-9711
02-556-5424

United Kingdom
1276-21717
1276-66165

United States
714-753-2600
714-753-2699

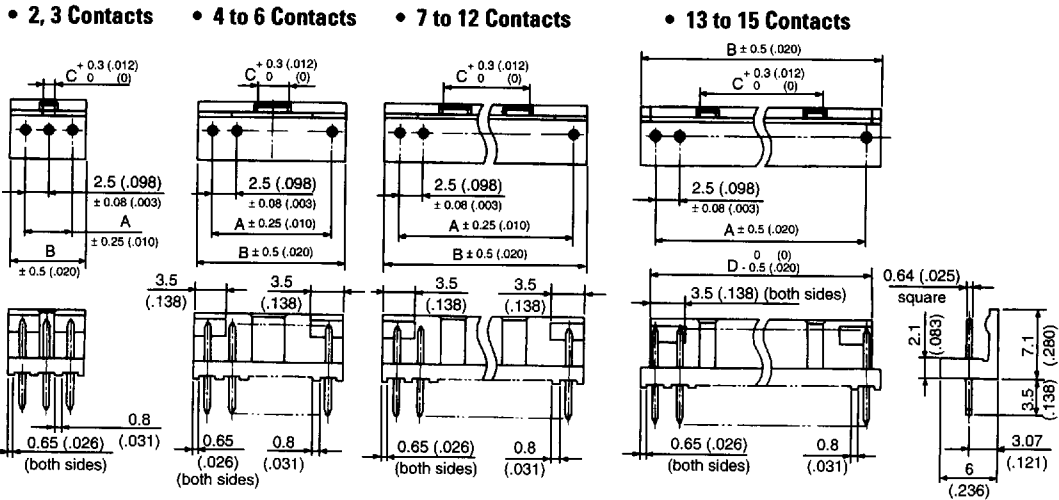


D 05F ■ 4893465 0000715 34T ■

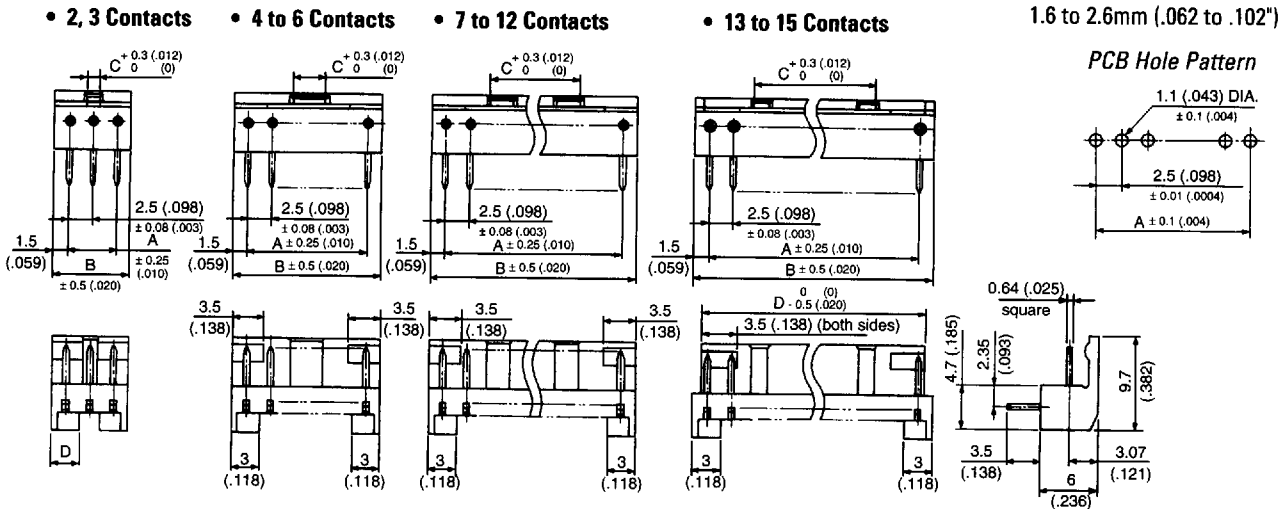
IL-G SERIES CONNECTORS

2.5mm (.098") Contact Spacing, PCB-to-Cable (Crimp Type) Connectors

STRAIGHT PIN HEADER: IL-G-**-P-S3T2-E

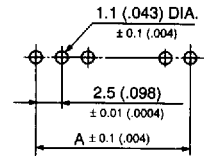


RIGHT ANGLE PIN HEADER: IL-G-**-P-S3L2-E



• PCB Mounting hole
 PCB thickness:
 1.6 to 2.6mm (.062 to .102")

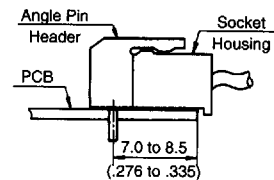
PCB Hole Pattern



No. of Contacts	Part Number		A	B $\pm 0.5 (\pm .020)$	C $+0.3 \begin{smallmatrix} (+.012) \\ -0 \end{smallmatrix}$	D
	Straight Pin Header	Right Angle Pin Header				
2	IL-G- 2P-S3T2-E	IL-G- 2P-S3L2-E	2.5 (.098)	5.5 (.217)	1.5 (.059)	1.7 (.067)
3	IL-G- 3P-S3T2-E	IL-G- 3P-S3L2-E	5 (.197)	8 (.315)	2 (.079)	3 (.118)
4	IL-G- 4P-S3T2-E	IL-G- 4P-S3L2-E	7.5 (.295)	10.5 (.413)	2.5 (.098)	—
5	IL-G- 5P-S3T2-E	IL-G- 5P-S3L2-E	10 (.394)	13 (.512)	3 (.118)	—
6	IL-G- 6P-S3T2-E	IL-G- 6P-S3L2-E	12.5 (.492)	15.5 (.610)	3.5 (.138)	—
7	IL-G- 7P-S3T2-E	IL-G- 7P-S3L2-E	15 (.591)	18 (.709)	6 (.236)	—
8	IL-G- 8P-S3T2-E	IL-G- 8P-S3L2-E	17.5 (.689)	20.5 (.807)	8.5 (.335)	—
9	IL-G- 9P-S3T2-E	IL-G- 9P-S3L2-E	20 (.787)	23 (.905)	11 (.433)	—
10	IL-G-10P-S3T2-E	IL-G-10P-S3L2-E	22.5 (.886)	25.5 (1.004)	13.5 (.531)	—
11	IL-G-11P-S3T2-E	IL-G-11P-S3L2-E	25 (.984)	28 (1.102)	16 (.630)	—
12	IL-G-12P-S3T2-E	IL-G-12P-S3L2-E	27.5 (1.083)	30.5 (1.201)	18.5 (.728)	—
13	IL-G-13P-S3T2-E	IL-G-13P-S3L2-E	30 (1.181)	33 (1.299)	21.3 (.839)	31.4 (1.236)
14	IL-G-14P-S3T2-E	IL-G-14P-S3L2-E	32.5 (1.280)	35.5 (1.398)	23.8 (.937)	33.9 (1.335)
15	IL-G-15P-S3T2-E	IL-G-15P-S3L2-E	35 (1.378)	38 (1.496)	26.3 (1.035)	36.4 (1.433)

INSTALLATION

Right-angle pin header must be installed on an edge of the board as shown below.



Dimensions in mm (inches).



Hong Kong
 Tel: 852-2723-7782
 Fax: 852-2723-9028

Japan
 03-3780-2715
 03-3780-2883

Singapore
 65-748-1332
 65-748-2920

Taiwan
 02-555-9711
 02-556-5424

United Kingdom
 1276-21717
 1276-66165

United States
 714-753-2600
 714-753-2699

D 05F ■ 4893465 0000716 286 ■