



Micro Commercial Components

Micro Commercial Components
20736 Marilla Street Chatsworth
CA 91311

Phone: (818) 701-4933
Fax: (818) 701-4939

MMBTA05 THRU MMBTA06

Features

- Epitaxial Planar Die Construction
- Complementary PNP Types Available (MMBTA55/MMBTA56)
- Ideal for Medium Power Amplification and Switching.
- Case Material: Molded Plastic. UL Flammability Classification Rating 94V-0
- Marking: MMBTA05:1H/K1H/B05
MMBTA06:1GM/K1G/B06

NPN Small Signal General Purpose Amplifier Transistors

Maximum Ratings

Symbol	Rating	Rating	Unit
V_{CEO}	Collector-Emitter Voltage MMBTA05 MMBTA06	60 80	V
V_{CBO}	Collector-Base Voltage MMBTA05 MMBTA06	60 80	V
V_{EBO}	Emitter-Base Voltage	4.0	V
I_C	Collector Current-Continuous	500	mA
P_D	Power Dissipation*	300	mW
$R_{\theta JA}$	Thermal Resistance, Junction to Ambient	357	K/W
T_J	Operating Junction Temperature	-55 to +150	°C
T_{STG}	Storage Temperature	-55 to +150	°C

Electrical Characteristics @ 25°C Unless Otherwise Specified

Symbol	Parameter	Min	Max	Units
--------	-----------	-----	-----	-------

OFF CHARACTERISTICS

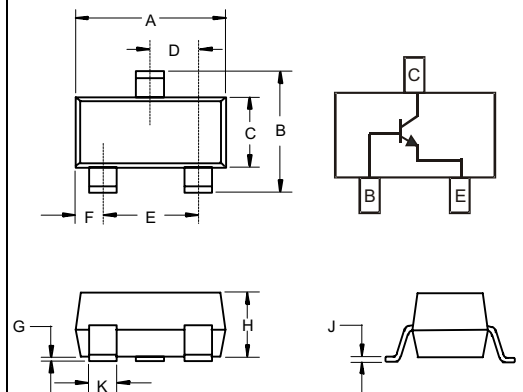
$V_{(BR)CEO}$	Collector-Emitter Breakdown Voltage ($I_C=1.0\text{mA}$, $I_B=0$) MMBTA05 MMBTA06	60 80	---	Vdc
$V_{(BR)EBO}$	Emitter-Base Breakdown Voltage ($I_E=100\mu\text{A}$, $I_C=0$)	4.0	---	Vdc
I_{CBO}	Collector Cutoff Current ($V_{CB}=60\text{Vdc}$, $I_E=0$) MMBTA05 ($V_{CB}=80\text{Vdc}$, $I_E=0$) MMBTA06	---	0.1	μA
I_{CES}	Emitter Cutoff Current ($V_{CE}=60\text{Vdc}$, $I_B=0$) MMBTA05 ($V_{CE}=80\text{Vdc}$, $I_B=0$) MMBTA06	---	0.1	μA

ON CHARACTERISTICS

h_{FE}	DC Current Gain ($V_{CE}=1.0\text{Vdc}$, $I_C=10\text{mA}$) ($V_{CE}=1.0\text{Vdc}$, $I_C=100\text{mA}$)	100 100	---	
$V_{CE(sat)}$	Collector-Emitter Saturation Voltage ($I_C=100\text{mA}$, $I_B=10\text{mA}$)	---	0.25	Vdc
$V_{BE(on)}$	Base-Emitter On Voltage ($I_C=100\text{mA}$, $I_B=10\text{mA}$)	---	1.2	Vdc
f_T	Current-Gain—Bandwidth Product ($I_C=10\text{mA}$, $V_{CE}=2.0\text{Vdc}$, $f=100\text{MHz}$)	100	---	MHz

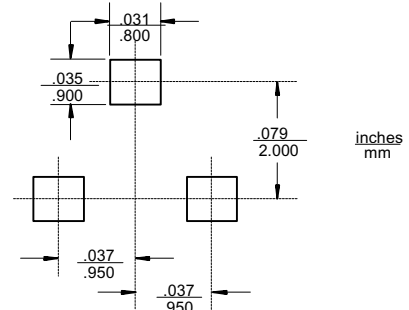
* Valid provided that terminals are kept at ambient temperature..

SOT-23



DIM	DIMENSIONS				NOTE
	INCHES		MM		
	MIN	MAX	MIN	MAX	
A	.110	.120	2.80	3.04	
B	.083	.098	2.10	2.64	
C	.047	.055	1.20	1.40	
D	.035	.041	.89	1.03	
E	.070	.081	1.78	2.05	
F	.018	.024	.45	.60	
G	.0005	.0039	.013	.100	
H	.035	.044	.89	1.12	
J	.003	.007	.085	.180	
K	.015	.020	.37	.51	

Suggested Solder Pad Layout





Micro Commercial Components

*****IMPORTANT NOTICE*****

Micro Commercial Components Corp. reserves the right to make changes without further notice to any product herein to make corrections, modifications, enhancements, improvements, or other changes. *Micro Commercial Components Corp.* does not assume any liability arising out of the application or use of any product described herein; neither does it convey any license under its patent rights, nor the rights of others. The user of products in such applications shall assume all risks of such use and will agree to hold *Micro Commercial Components Corp.* and all the companies whose products are represented on our website, harmless against all damages.

*****APPLICATIONS DISCLAIMER*****

Products offer by *Micro Commercial Components Corp.* are not intended for use in Medical, Aerospace or Military Applications.