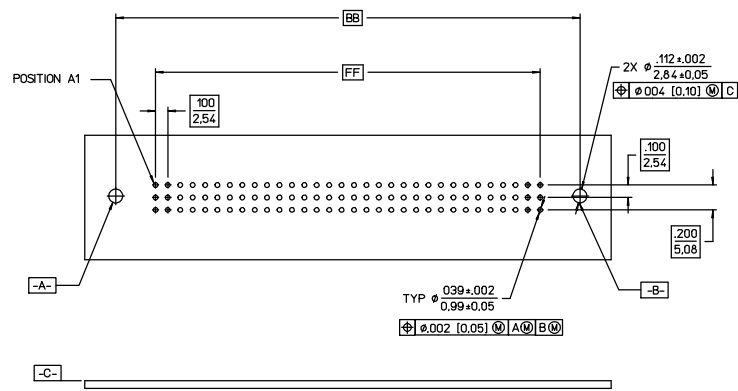
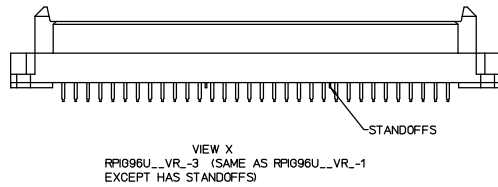
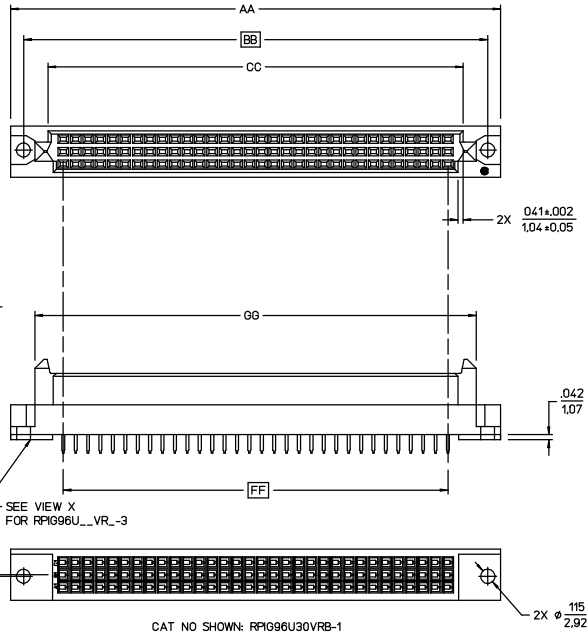
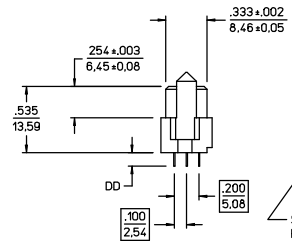
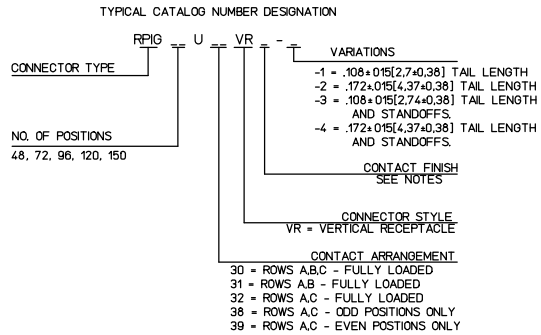


DIMENSIONS TABLE						
CATALOG NUMBER	AA	BB	CC	FF	GG	NO. OF POSITIONS
RPIG48U...VR...-	2 349 59.67	2 140 54.36	1 742 44.25	1 500 38.10	1 955 49.66	48
RPIG72U...VR...-	3 149 79.98	2 940 74.68	2 542 64.57	2 300 58.42	2 755 69.98	72
RPIG96U...VR...-	3 949 100.30	3 740 95.00	3 342 84.89	3 100 78.74	3 555 90.30	96
RPIG120U...VR...-	4 749 120.62	4 540 115.32	4 142 105.21	3 900 99.06	4 355 110.62	120
RPIG150U...VR...-	5 749 146.02	5 540 140.72	5 142 130.61	4 900 124.46	5 355 136.02	150

TAIL LENGTH TABLE	
CATALOG NUMBER	DD
RPIG...U...VR...-1	.108 2.74
RPIG...U...VR...-2	.172 4.37
RPIG...U...VR...-3	.108 2.74
RPIG...U...VR...-4	.172 4.37



RECOMMENDED PC BOARD LAYOUT

NOTES: UNLESS OTHERWISE SPECIFIED,

MATERIALS:

BODY: GLASS REINFORCED POLYESTER UL94-0, COLOR-BLACK.

CONTACTS: COPPER ALLOY

CONTACT FINISH:

B: 30 MICRONS (0.76 MICRONS) MIN GOLD IN CONTACT AREA AND 200 MICRONS (5.08 MICRONS) MIN TIN/LEAD ALLOY ON CONTACT TAILS. 50 MICRONS (1.27 MICRONS) MIN NICKEL UNDERPLATE ALL OVER.

D: 5 MICRONS (0.13 MICRONS) MIN GOLD OVER 30 MICRONS (0.76 MICRONS) MIN PALLADIUM NICKEL IN CONTACT AREA AND 100 MICRONS (2.54 MICRONS) MIN TIN/LEAD ALLOY ON CONTACT TAILS. 50 MICRONS (1.27 MICRONS) MIN NICKEL UNDERPLATE ALL OVER.

REV	DESCRIPTION	BY	CHKD	DATE
D	REV PER ECR V20210	TAB	MRG	02-30-02
2	ADDED RPIG...U...VR...-A PER (ECN3717)	DAF	WJM	05-21-97
1	SEE REVISION REF PRINT (ECN 3590)	RFS	DET	10-01-96

GUIDED DIN VERTICAL RECEPTACLE

CAT NO. RPIG...U...VR...-		DWG RELEASED TO CENTRAL FILE 01-16-92		DRWN	DLB	11-18-91
DWG RELEASED TO CENTRAL FILE 01-16-92		1		CHKD	JAM	11-25-91
1		1		DSGN	SFC	12-30-91
1		1		MKT	TK	12-30-91
1		1		DC	DC	12-16-91
1		1		DRAWING SCALE 2 1		
1		1		DRAWING NO. REV		
1		1		SE94743 D		
1		1		SHEET 1 OF 1		

LINEAR MEASURE:	INCH	INCH (mm)
THIRD ANGLE PROJECTION		
- TOLERANCES -		
UNLESS OTHERWISE SPECIFIED		
NO OF DECIMAL PLACES IN INCHES:	INCH (mm)	
ONE PLACE	±.1 (+.3)	
TWO PLACES	±.02 (+0.5)	
THREE PLACES	±.005 (+0.13)	
ANGLES ±°		

REFERENCE:  
SE94746, RPI...U...VRB...  
SE93322, RPIG...U30PB...

© FRAMATOME CONNECTORS USA INC.1996

