

Specifications

Insulation Resistance: 1,000MΩ min. at 500 V DC
 Withstanding Voltage: 700 V AC rms for 1 minute
 Contact Resistance: 30mΩ max. at 10mA
 Current Rating: 1A
 Operating Temp. Range: -20°C to +105°C



Materials and Finish

Housing: PBT, UL 94V-0 rated
 Contacts: Copper Alloy
 Plating: Contacts - Gold over Nickel
 Crimp Terminals - Gold or Tin over Nickel

Features

- 2.54 mm contact pitch connectors for MIL standard flat cables
- Variations include latch header plugs, box header plugs, and flat cable gang wired sockets
- Two types (short latch and middle latch) of latch header plugs available

Jigs and Tools

- For FAS / FAP Type
- Hand press: FX-003
 - Applicable jig: FA-005



Part Number (Details)

FAS - 3401 - 2 1 0 1 - 2 - 0 * F

Series (socket)

No. of Leads

Housing Type:

- 1=MIL std. key (without central key)
- 2=MIL std. key (with central key)
- 3=MIL std. key (with 2 key slots: 50, 60 or 64 leads only)

Pressure Cover Type:

- 1 = Open End
- 2 = Closed End

Strain Relief Option: 00 = without
 01 = with

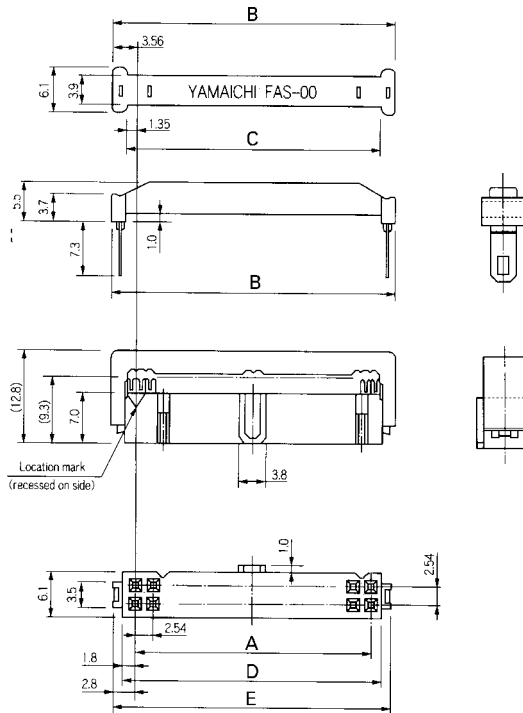
Housing Colour: 1 = Black
 2 = Blue (Standard)

0 = Mating Cables (1.27 pitch):
 AWG 28 Stranded Wire or AWG 30 Solid Wire

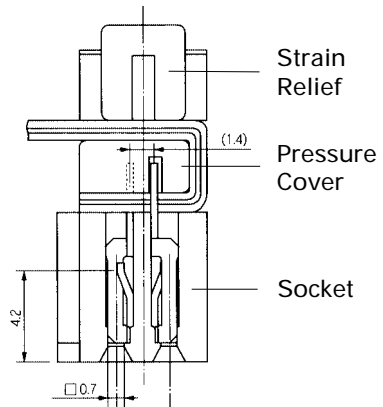
Contact Plating: A = Gold (0.76µm over Ni 2.5-4.5µm)
 B = Gold (0.3-0.5µm over Ni 2.5-4.5µm)

Crimp Terminal Plating:
 F = Gold Flash over Nickel (2.5-4.5µm - Standard)

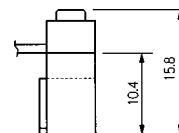
Applicable Dimensions (Reference Only)



Contact Details



Cable Connection



Part No.	No. of Leads	A	B	C	D	E	Part No.	No. of Leads	A	B	C	D	E
FAS-1001-2101-*0**	10	10.16	17.28	12.86	13.76	15.76	FAS-3401-2101-*0**	34	40.64	47.76	43.34	44.24	46.24
FAS-1401-2101-*0**	14	16.16	22.28	17.86	18.72	20.56	FAS-4001-2101-*0**	40	48.26	55.38	50.96	51.86	53.86
FAS-1601-2101-*0**	16	17.78	24.90	20.48	21.38	23.38	FAS-5001-2101-*0**	50	60.96	68.08	63.66	64.56	66.56
FAS-2001-2101-*0**	20	22.86	29.98	25.56	26.46	28.46	FAS-6001-2101-*0**	60	73.66	80.78	76.36	77.26	79.26
FAS-2601-2101-*0**	26	30.48	37.60	33.18	34.08	36.08	FAS-6401-2101-*0**	64	78.74	85.86	81.44	82.34	84.34
FAS-3001-2101-*0**	30	35.56	42.68	38.26	39.16	41.16							