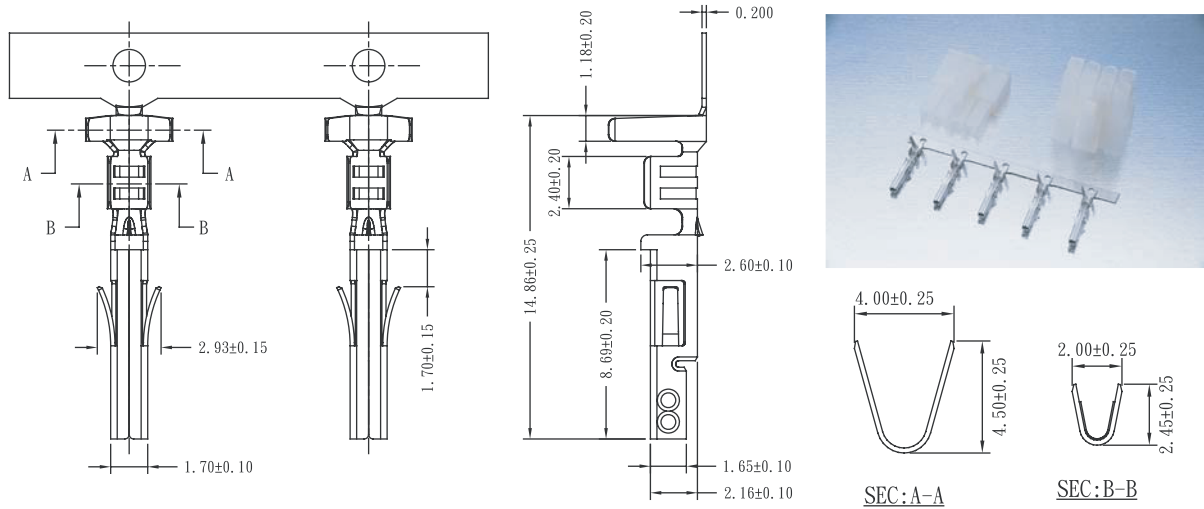




4.2mm FEMALE TERMINAL / MALE HOUSING



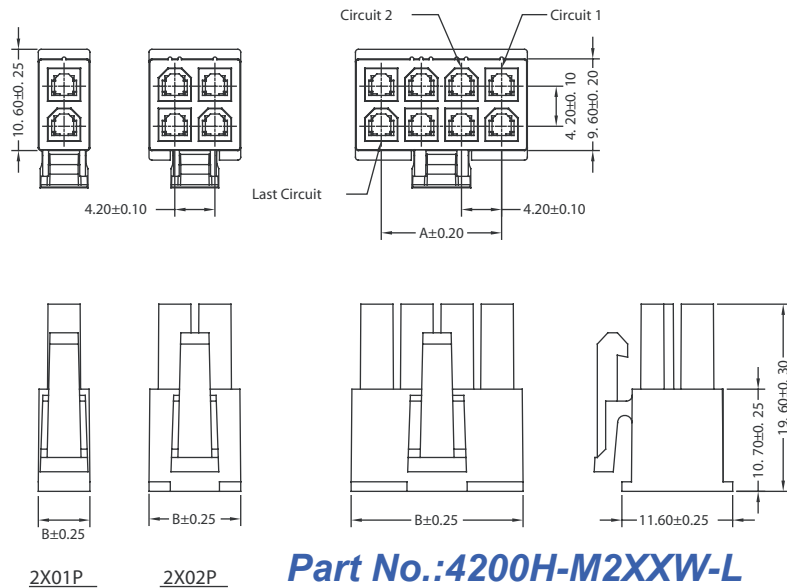
Wire Range	Insulation O.D.	Material	Finish	Qty/reel
AWG#18-#24	3.10mm(max)	Brass	Tin-plated	5,000pcs

Part No.:4200-FT-L

SPECIFICATIONS

Current Rating: 7A AC,DC
 Voltage Rating: 600V AC,DC
 Temperature Range: -25°C ~ +85°C
 Contact Resistance: 10mΩ Max
 Insulation Resistance: 1000MΩ Min
 Withstanding Voltage: 1500V AC/minute
 Material: Nylon 66,UL94V-2
 Color: Natural(Translucent)

PART NO.	Dimensions	
	A	B
4200H-M201W-L	---	5.70
4200H-M202W-L	4.20	9.60
4200H-M203W-L	8.40	13.50
4200H-M204W-L	12.60	17.40
4200H-M205W-L	16.80	21.30
4200H-M206W-L	21.00	25.20
4200H-M207W-L	25.20	29.10
4200H-M208W-L	29.40	33.00
4200H-M209W-L	33.60	36.90
4200H-M210W-L	37.80	40.80
4200H-M211W-L	42.00	44.70
4200H-M212W-L	46.20	48.60

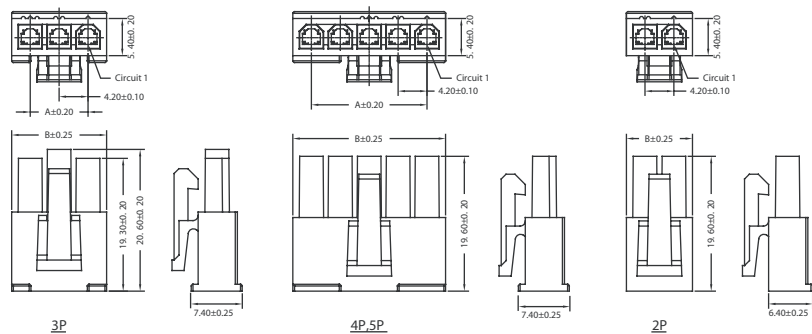


Part No.:4200H-M2XXW-L

SPECIFICATIONS

Current Rating: 7A AC,DC
 Voltage Rating: 600V AC,DC
 Temperature Range: -25°C ~ +85°C
 Contact Resistance: 10mΩ Max
 Insulation Resistance: 1000MΩ Min
 Withstanding Voltage: 1500V AC/minute
 Material: Nylon 66,UL94V-2
 Color: Natural(Translucent)

PART NO.	Dimensions	
	A	B
4200H-M102W-L	4.20	9.60
4200H-M103W-L	8.40	13.80
4200H-M104W-L	12.60	18.00
4200H-M105W-L	16.80	22.20



Part No.:4200H-M1XXW-L